

Eaton Fuller® HD FR/FRO Transmissions TRSM2400 EN-US

May 2013

FR-11210B	FRO-11210C	FROF-11210B
FR-12210B	FRO-12210B	FROF-11210C
FR-13210B	FRO-12210C	FROF-12210B
FR-14210B	FRO-13210B	FROF-12210C
FR-15210B	FRO-13210C	FROF-13210B
FR-9210B	FRO-14210B	FROF-13210C
FRF-11210B	FRO-14210C	FROF-14210B
FRF-12210B	FRO-15210B	FROF-14210C
FRF-13210B	FRO-15210C	FROF-15210B
FRF-14210B	FRO-16210B	FROF-15210C
FRF-15210B	FRO-16210C	FROF-16210B
FRF-9210B	FRO-17210C	FROF-16210C
FRO-11210B	FRO-18210C	



Powering Business Worldwide

BACKED BY

Roadranger

SUPPORT

Warnings and Precautions

Warnings and Precautions



Before starting a vehicle, always be seated in the driver's seat, place the Transmission in Neutral, set the Parking Brakes and disengage the Clutch.

Before working on a vehicle, place the Transmission in Neutral, set the Parking Brakes and block the wheels.

Before towing the vehicle, place the Transmission in Neutral, and lift the rear wheels off the ground, remove the Axle Shafts, or disconnect the Driveline to avoid damage to the Transmission during towing.

The description and specifications contained in this service publication are current at the time of printing.

Eaton reserves the right to discontinue or modify its models and/or procedures and to change specifications at any time without notice.

Any reference to brand name in this publication is made as an example of the types of tools and materials recommended for use and should not be considered an endorsement. Equivalents may be used.



This symbol is used throughout this manual to call attention to procedures where carelessness or failure to follow specific instructions may result in personal injury and/or component damage.

Departure from the instructions, choice of tools, materials and recommended parts mentioned in this publication may jeopardize the personal safety of the Service Technician or vehicle operator.



Failure to follow indicated procedures creates a high risk of personal injury to the Service Technician.



Failure to follow indicated procedures may cause component damage or malfunction.

Note: Additional service information not covered in the service procedures.

Tip: Helpful removal and installation procedures to aid in the service of this unit.

Always use genuine Eaton replacement parts.

Introduction

Purpose and Scope of Manual	1
How to use this Manual.....	1
Disassemble Precautions.....	1
Inspection Precautions.....	2
Assembly Precautions.....	4

Model Designations

Serial Tag Information and Model Nomenclature	5
Model Options.....	6

Lubrication

Transmission Lubrication	8
Oil Leak Inspection Process	9

Tools

Tool Specifications	10
General Tools	10
Special Tools Manufacturers.....	12
Eaton Aftermarket Parts.....	12

General Information

Torque Specifications	13
Power Flow Diagrams	15
Front Section Power Flow	16
Front Section Power Flow - Direct Gear	17
Front Section Power Flow - Reverse Gear.....	18
Auxiliary Section Power Flow - Low Range.....	19
Auxiliary Section Power Flow - High Range	20
FR/FRO-1X210	21
Air System Troubleshooting	25
Air System Symptom - Air leak from Module Base (Exhaust).....	26
Air System Symptom - No or Slow Range Shift into High (Shift into Low Range is Good)	27
Air System Symptom - No or Slow Range Shift into Low (Shift into High is Good)	30
Air System Symptom - Constant Air Leak from Shift Knob	33
Air System Symptom - Range Shift While Transmission is in Gear	34
Air System Symptom - Air Leak From Breather or Case is Pressurized.....	35
General Troubleshooting Chart	36
Air System Overview	39
Air Module Part Nomenclature.....	41
Air Module Interlock.....	42
Air System Air Flow.....	45
Air Module Operation	48
Air System Nomenclature	51

Timing Procedures

Timing Procedures	53
-------------------------	----

In-Vehicle Service Procedures

How to Disassemble the Roadranger Valve	55
How to Assemble the Roadranger Valve	57
How to Remove Compression Type Fittings	58
How to Install Compression Type Fittings	59
How to Remove Push-To-Connect Type Fittings	60
How to Install Push-To-Connect Type Fittings	61
How to Remove a Roadranger Valve	62
How to Install a Roadranger Valve	63
How to Remove the Gear Shift Lever/ Remote Shift Control	64
How to Install the Gear Shift Lever/ Remote Shift Control	65
In-Vehicle Service ProceduresHow to Adjust the Remote Shift Control (LRC Type)	66
How to Remove the Detent Spring	68
How to Install the Detent Spring	69
Neutral Switch Operation and Testing	70
How to Remove the Neutral Switch	71
How to Install the Neutral Switch	72
Reverse Switch Operation and Testing	73
How to Remove the Reverse Switch	74
How to Install the Reverse Switch	75
How to Install the Shift Bar Housing	76
How to Remove the Shift Bar Housing	77
How to Remove the Oil Seal Mechanical/ Magnetic Speedometer	78
How to Install the Oil Seal Mechanical/ Magnetic Speedometer	80
How to Remove the Auxiliary Section in Chassis	82
How to Install the Auxiliary Section in Chassis	84
How to Disassemble the Integral Oil Cooler	88
How to Assemble the Integral Oil Cooler	89
How to Remove the Air Module	90
How to Install the Air Module	92

Table of Contents

Transmission Overhaul Procedures - Bench Service

How to Disassemble the Gear Shift Lever	93	How to Install the Lower Countershaft Bearings	155
How to Assemble the Gear Shift Lever	95	How to Install the Input Shaft and Main Drive Gear .	157
How to Remove the Shift Bar Housing	97	How to Install the Input Bearing Cover	159
How to Install the Shift Bar Housing	98	How to Install the Upper Countershaft Bearings	160
How to Disassemble the Shift Bar Housing	99	How to Install the Upper Reverse Idler Gear Assembly	162
How to Disassemble the Range Cylinder	102	How to Install the Auxiliary Drive Gear Assembly	164
How Assemble the Range Cylinder	103	How to Install the Clutch Housing	165
How to Assemble the Shift Bar Housing	105	How to Remove the Oil Pump	166
How to Remove the Input Shaft Assembly (without Main Case disassembly)	109	How to Install the Oil Pump	167
How to Install the Input Shaft Assembly (without Main Case disassembly)	111	How to Install the Oil Seal	168
How to Remove the Auxiliary Section	113	How to Assemble the Auxiliary Section	169
How to Disassemble the Auxiliary Section	115	How to Install the Auxiliary Section	173
How to Disassemble the Range Yoke	118	Shim Procedure without a Shim Tool for Tapered Bearings	175
How to Disassemble the Output Shaft	119		
How to Disassemble the Synchronizer Assembly	120		
How to Assemble the Synchronizer Assembly	121		
How to Remove the Clutch Housing	123		
How to Assemble the Output Shaft	124		
How to Assemble the Range Yoke	125		
How to Disassemble the Auxiliary Countershaft	126		
How to Remove the Auxiliary Countershaft Bearing Races	127		
How to Install the Auxiliary Countershaft Bearing Races	128		
How to Assemble the Auxiliary Countershaft	129		
How to Remove the Auxiliary Drive Gear Assembly	130		
How to Disassemble the Upper and Lower Reverse Idler Gear Assembly	132		
How to Remove the Countershaft Bearings and Countershaft Assemblies	134		
How to Remove the Mainshaft Assembly	136		
How to Disassemble the Countershaft Assemblies .	138		
How to Remove the Input Shaft and Main Drive Gear	140		
How to Prepare the Main Case for Reassembly	142		
How to Disassemble the Mainshaft Assembly	143		
How to Assemble the Mainshaft Assembly	145		
How to Install the Mainshaft Assembly	148		
How to Assemble the Countershaft Assemblies	150		
How to Assemble the Lower Reverse Idler Gear Assembly	152		
How to Install Countershaft Assemblies	154		

Purpose and Scope of Manual

This Manual is designed to provide information necessary to service and repair the Eaton Fuller Transmissions listed on the front.

How to use this Manual

The service procedures have been divided into two sections: In-Vehicle Service Procedures and Transmission Overhaul Procedures—Bench Service. In-Vehicle Service Procedures contain procedures that can be performed while the Transmission is still installed in the vehicle. Transmission Overhaul Procedures contain procedures that are performed after the Transmission has been removed from the vehicle.

The procedure sections are laid out with a general heading at the top outside edge of each page followed by more specific headings and the procedures. To find the information you need in these sections, first go to the section that contains the procedure you need. Then look at the heading at the top and outside edge of each page until you find the one that contains the procedure you need.

Transmission Overhaul Procedures follow the general steps for complete disassembly and then assembly of the Transmission.

Note: In some instances the Transmission appearance may be different from the illustrations, but the procedure is the same.

Disassemble Precautions

It is assumed in the detailed assembly instructions that the lubricant has been drained from the Transmission, the necessary linkage and vehicle air lines disconnected and the Transmission has been removed from vehicle chassis. Removal of the Gear Shift Lever Housing Assembly (or Remote Control Assembly) is included in the detailed instructions (How to Remove the Gear Shift Lever). This assembly **MUST** be detached from the Shift Bar Housing before the Transmission can be removed.

Follow closely each procedure in the detailed instructions, make use of the text, illustrations, and photographs provided.

Assemblies

- When disassembling the various assemblies, such as the Mainshaft, Countershafts, and Shift Bar Housing, lay all parts on a clean bench in the same sequence as removed. This procedure will simplify assembly and reduce the possibility of losing parts.

Bearings

- Carefully wash and lubricate all usable bearings as removed and protectively wrap until ready for use. Remove bearings planned to be reused with pullers designed for this purpose.

Cleanliness

- Provide a clean place to work. It is important that no dirt or foreign material enters the unit during repairs. Dirt is an abrasive and can damage bearings. It is always a good practice to clean the outside of the unit before starting the planned disassembly.

Input Shaft

- The Input Shaft can be removed from the Transmission without removing the Countershafts, Mainshaft, or Main Drive Gear. Special procedures are required and provided in this Manual.

Snap Rings

- Remove Snap Rings with pliers designed for this purpose. Snap Rings removed in this manner can be reused, if they are not sprung or loose.

When Using Tools to Move Parts

- Always apply force to shafts, housings, etc., with restraint. Movement of some parts is restricted. Never apply force to driven parts after they stop solidly. The use of Soft Hammers, Soft Bars, and Mauls for all disassembly work is recommended.

For parts or service call us
Pro Gear & Transmission, Inc.



1 (877) 776-4600

(407) 872-1901

parts@eprogear.com

906 W. Gore St.

Orlando, FL 32805



Introduction

Inspection Precautions

Before assembling the Transmission, check each part carefully for abnormal or excessive wear and damage to determine reuse or replacement. When replacement is necessary, use only genuine Eaton® Fuller® Transmission parts to assure continued performance and extended life from your unit.

Since the cost of a new part is generally a small fraction of the total cost of downtime and labor, avoid reusing a questionable part which could lead to additional repairs and expense soon after assembly. To aid in determining the reuse or replacement of any Transmission part, consideration should also be given to the unit's history, mileage, application, etc.

Recommended inspection procedures are provided in the following checklist.

Bearings

- Wash all bearings in clean solvent. Check balls, rollers, and raceways for pitting, discoloration, and spalled areas. Replace bearings that are pitted, discolored, spalled, or damaged during disassembly.
- Lubricate bearings that are not pitted, discolored, or spalled and check for axial and radial clearances.
- Replace bearings with excessive clearances.
- Check bearing fit. Bearing inner races should be tight to shaft; outer races slightly tight to slightly loose in case bore. If the bearing spins freely in the bore the case should be replaced.

Bearing Covers

- Check covers for wear from thrust of adjacent bearing. Replace covers damaged from thrust of bearing outer race.
- Check cover bores for wear. Replace those worn or oversized.

Clutch Release Parts

- Check clutch release parts. Replace yokes worn at cam surfaces and bearing carrier worn at contact pads.
- Check pedal shafts. Replace those worn at bushing surfaces.

Gears

- Check gear teeth for frosting and pitting. Frosting of gear teeth faces presents no threat of Transmission failure. Often in continued operation of the unit, frosted gears "heal" and do not progress to the pitting stage. In most cases, gears with light to moderate pitted teeth have considerable gear life remaining and can be reused, but gears in the advanced stage of pitting should be replaced.
- Check for gears with clutching teeth abnormally worn, tapered, or reduced in length from clashing during shifting. Replace gears found in any of these conditions.
- Check axial clearance of gears.

Gear Shift Lever Housing Assembly

- Check spring tension on Shift Lever. Replace Tension Spring if Lever moves too freely.
- If housing is disassembled, check Gear Shift Lever bottom end and Shift Finger Assembly for wear. Replace both gears if excessively worn.

Gray Iron Parts

- Check all gray iron parts for cracks and breaks. Replace parts found to be damaged.

Oil Return Threads and Seals

- Check oil return threads on the Input Shaft. If return action of threads has been destroyed, replace the Input Shaft.
- Check Oil Seal in Rear Bearing Cover. If sealing action of lip has been destroyed, replace seal.

O-Rings

- Check all O-rings for cracks or distortion. Replace if worn.

Reverse Idler Gear Assemblies

- Check for excessive wear from action of roller bearings.

Shift Bar Housing Assembly

- Check for wear on Shift Yokes and Block at pads and lever slot. Replace excessively worn parts.
- Check Yokes for correct alignment. Replace sprung Yokes.
- If housing has been disassembled, check Shift Shaft and all related parts for wear.

Sliding Clutches

- Check all Shift Yokes and Yoke Slots in Sliding Clutches for extreme wear or discoloration from heat.
- Check engaging teeth of Sliding Clutches for partial engagement pattern.

Splines

- Check splines on all shafts for abnormal wear. If Sliding Clutch Gears, Companion Flange, or Clutch Hub has wear marks in the spline sides, replace the specific shaft effected.

Synchronizer Assembly

- Check Synchronizer for burrs, uneven and excessive wear at contact surface, and metal particles.
- Check Blocker Pins for excessive wear or looseness.
- Check Synchronizer contact surfaces on the Synchronizer Cups for wear.

Washers

- Check surfaces of all washers. Washers scored or reduced in thickness should be replaced.

Introduction

Assembly Precautions

Make sure that case interiors and housings are clean. It is important that dirt and other foreign materials are kept out of the Transmission during assembly. Dirt is an abrasive and can damage polished surfaces of bearings and washers. Use certain precautions, as listed below, during assembly.

Bearings

- Use a Flange-End Bearing Driver for bearing installation. These special drivers apply equal force to both bearing races, preventing damage to balls/rollers and races while maintaining correct bearing alignment with bore and shaft. Avoid using a tubular or sleeve-type driver, whenever possible, as force is applied to only one of the bearing races.

Capscrews

- To prevent oil leakage and loosening, use Eaton Fuller Sealant #71205 on all capscrews.

Gaskets

- Use new gaskets throughout the Transmission as it is being rebuilt. Make sure all gaskets are installed. An omission of any gasket can result in oil leakage or misalignment of bearing covers.

Initial Lubrication

- Coat all limit washers and shaft splines with Lubricant during assembly to prevent scoring and galling of such parts.

O-Rings

- Lubricate all O-rings with silicon lubricant.

Universal Joint Companion Flange or Yoke

- Pull the Companion Flange or Yoke tightly into place with the Output Shaft Nut, using 650–700 lb. ft. of torque. Make sure the Speedometer Drive Gear or a replacement spacer of the same width has been installed. Failure to pull the Companion Flange or Yoke tightly into place can result in damage to the Mainshaft Rear Bearing.

 **IMPORTANT**

See the appropriate Illustrated Parts Lists (specified by model series) to ensure that proper parts are used during assembly of the Transmission.

Serial Tag Information and Model Nomenclature

Transmission model designation and other Transmission Identification information are stamped on the Serial Tag. To identify the Transmission Model and Serial Number, locate the Tag on the Transmission and then locate the numbers as shown. Figure 1-1 below shows the Tag which is located on the Transmission.

When calling for service assistance or parts, have the Model and Serial Numbers handy.

Do not remove or destroy the Transmission Identification Tag!

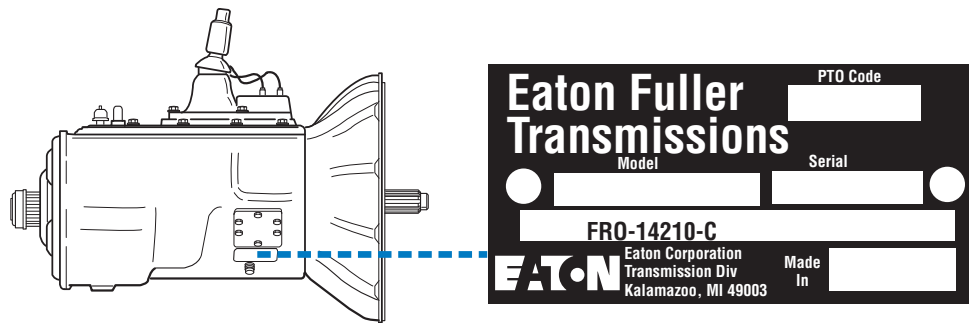
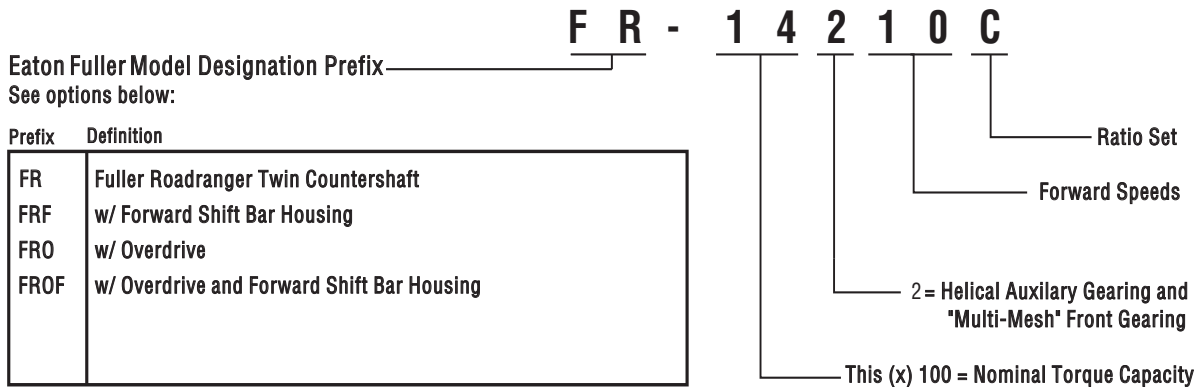


Fig 1-1

Transmission Tag and Location

Model Number

The Model Number gives basic information about the Transmission and is explained below. Use this number when calling for service assistance or replacement parts.



Serial Number

The Serial Number is the sequential identification number of the Transmission. Before calling for service assistance, write the number down as it may be needed.

Bill of Material or Customer Number

This number may be located below the Model and Serial Numbers. It is a reference number used by Eaton®.

Model Designations

Model Options

Torque Rating

The torque rating of the Transmission specified in the Model Number is the Input Torque Capacity in lb. ft. Various torque ratings are available. For more information, call the Roadranger Help Desk at 1-800-826-HELP (4357).

Two types of Shift Bar Housings are available for this Transmission. Both are described and shown below.

Shift Bar Housings

Standard: The standard Shift Bar Housing has a Gear Shift Lever opening that is located toward the rear of the Transmission. The Housing is shown in figure 1-2.

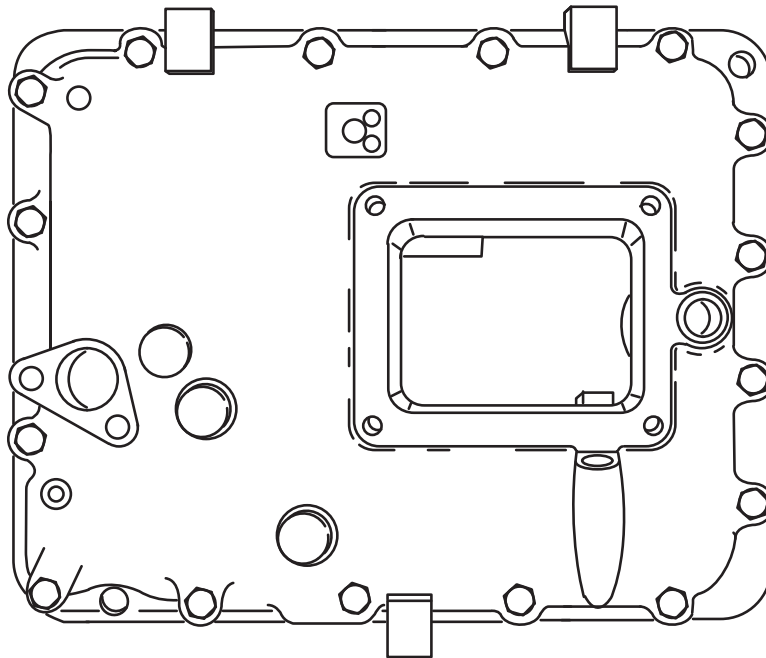


Fig 1-2

Forward Opening: The Forward Opening Shift Bar Housing has a Gear Shift Lever opening located three inches closer to the front of the Transmission than the standard opening. This forward design allows greater flexibility in mounting the Transmission and is indicated by an "F" in the Model Number. The Housing is shown in figure1-3.

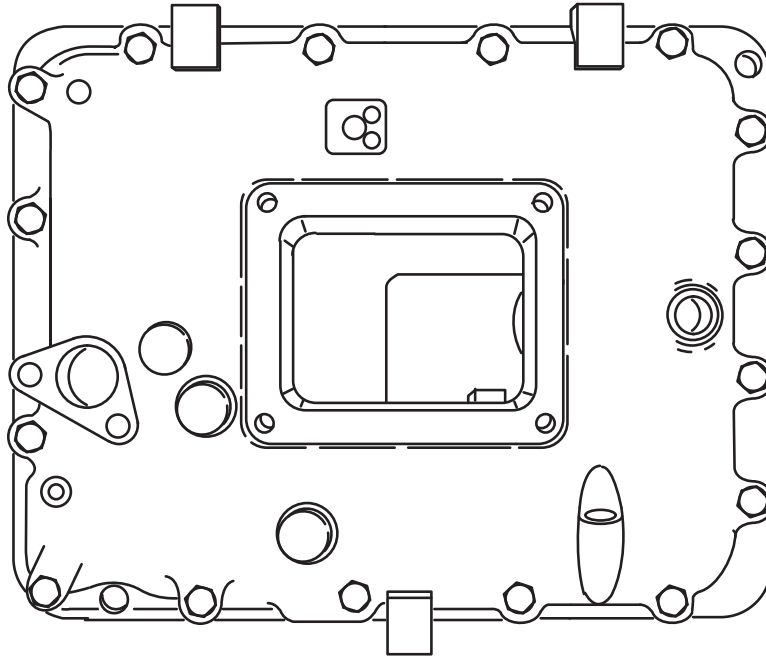


Fig 1-3

Lubrication Pumps

Two types of lubrication pumps are available for use on this Transmission and are described below:

PTO Driven: A PTO Driven Pump is externally mounted on the 6 or 8 bolt PTO openings and driven off the PTO Gear.

Auxiliary Countershaft: An Auxiliary Countershaft Pump is mounted on the rear of the Transmission and driven off the Auxiliary Countershaft.

Power Take Off (PTO) Usage

PTO's can be mounted in the following ways:

6 or 8 Bolt: The 6 or 8 bolt openings are standard with the Transmission. The PTO is mounted to the opening and driven from the PTO Gear on the Front Countershaft.

Thru-Shaft: The Thru-Shaft PTO mounts on the rear of the Transmission. It requires a special Auxiliary Housing and Main Case Countershaft with internal splines.

Lubrication

Transmission Lubrication

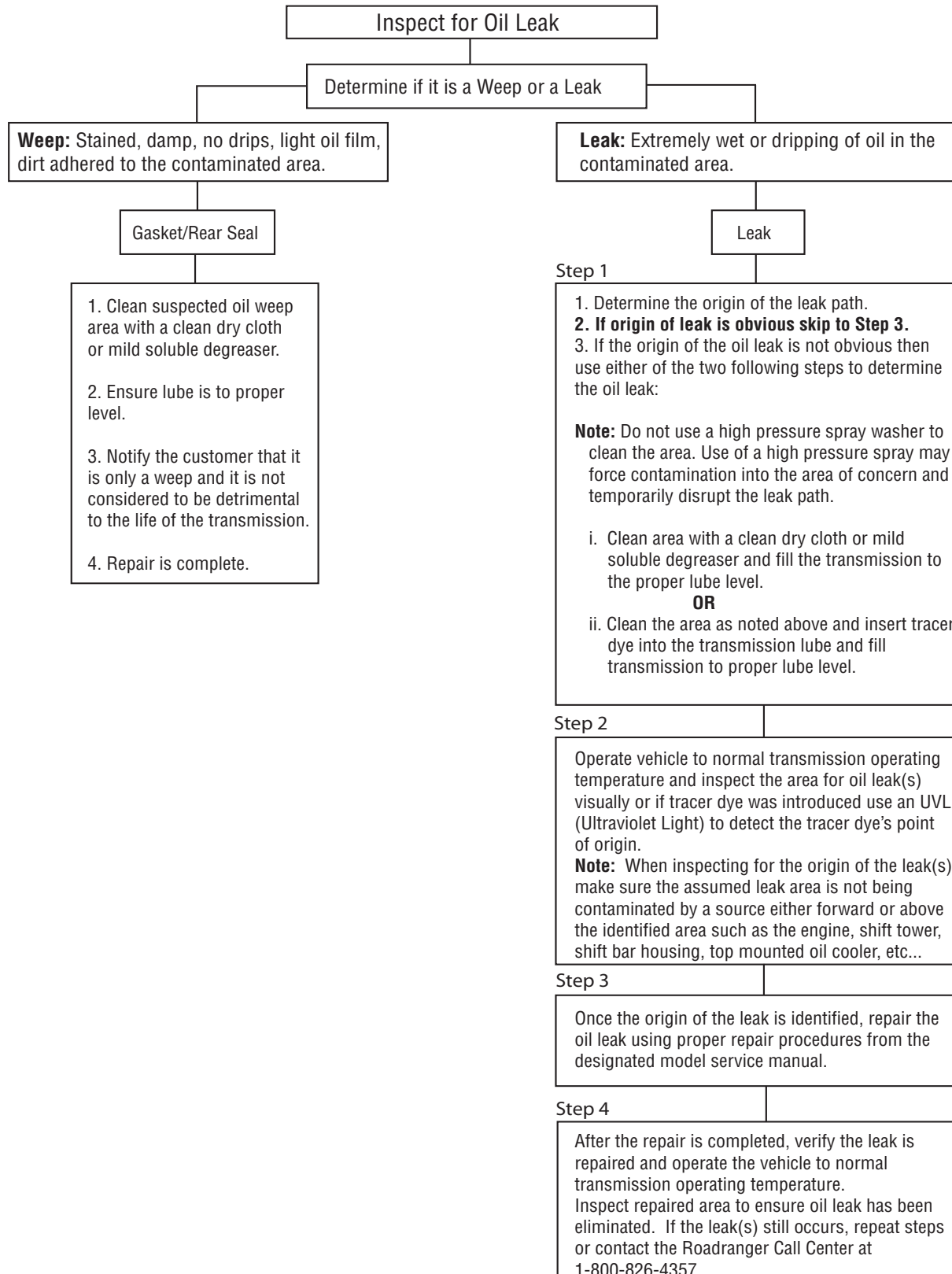
Reference Lubrication Manual TCMT-0021 on Roadranger.com or call 800-826-4357 for a list of approved transmission lubricants.

Note: The use of lubricants not meeting these requirements will affect warranty coverage.

 **IMPORTANT**

Transmission Filters should be changed during regular lube intervals. Inspection of the Transmission Filter should be conducted during preventive maintenance checks for damage or corrosion. Replace as necessary.

Oil Leak Inspection Process



Lubrication

Tools

Tool Specifications

Some repair procedures pictured in this manual show the use of specialized tools. Their actual use is recommended as they make Transmission repair easier, faster, and prevent costly damage to critical parts.

For the most part, ordinary mechanic's tools such as socket wrenches, screwdrivers, etc., and other standard shop items such as a Press, Mauls and Soft Bars are the only tools needed to successfully disassemble and reassemble any Eaton®Fuller® Transmission.

The following tables list and describe the typical tools required to properly service this model Transmission above and beyond the necessary basic wrenches, sockets, screwdrivers, and prybars.

General Tools

The following tools are available from several tool manufacturers such as Snap-On, Mac, Craftsman, OTC, and many others.

Tool	Purpose
0–100 lb. ft. 1/2" drive Torque Wrench	General torquing of fasteners (Typically 15–80 lb. ft.)
0–800 lb. ft. Torque Wrench	Torque Output Nut to 650–700 lb. ft.
0–50 lb. in. 3/8" drive Torque Wrench	General torquing of fasteners
0–30 lb. in. 1/4" drive Torque Wrench	Torquing of capscrews to 7 lb. in. during auxiliary countershaft bearing endplay setting procedure
70 MM or 2 3/4" Socket - Standard Depth	To remove the output yoke nut
Snap Ring Pliers - Large Standard External	To remove the snap rings at the auxiliary drive gear, input shaft bearing, and countershaft bearings
Feeler Gauges	To set mainshaft washer endplay and auxiliary tapered bearing endplay
Crow's Foot Pry Bar	To remove the auxiliary drive gear bearing
(2) Air Pressure Gauges 0–100 PSI	To troubleshoot and verify correct operation of air system
Bushing Driver	To remove and install clutch housing bushings. Bushing OD = 1.125", ID = 1.000"

Special Tools

The following Transmission Tools are available directly from K-Line Industries. To obtain any of these tools listed, contact K-Line by phone or visiting the online store.:

K-Line Industries, Inc.
 315 Garden Avenue
 Holland, MI 49424
 1-800-824-KLINE (5546)
<http://www.klineind.com/>

K-Line Part #	Tool	Tool Description
RR1001TR-1	Driver - Output Seal Slinger	Used to install Output Seal Protective Slinger on FR & RT-series (Gen 9) Transmission Output Yokes.
RR1001TR-2	Driver - Output Seal	Used to install Output Seal in Rear Bearing Cover on RT-series (Gen 6 & 7) Transmissions with 2.75" Output Shaft.
RR1001TR-8	Driver - Output Seal	Used with Seal Driver RR1001TR-2 to install Output Seal in Rear Bearing Cover on FR & RT-series (Gen 9) Transmissions.
RR1002TR	Auxiliary Countershaft Support Straps	Used to support the Auxiliary Countershaft Assemblies when servicing the Auxiliary Section on FR & RT-series (Gen 7 & 9) Transmissions.
RR1004TR	Mainshaft Lifting Hook	Used to remove/install Mainshaft Assembly into the Transmission Main Case.
RR1005TR	Driver - Input Shaft Bearing	Used to install the Input Bearing on Transmissions with 2" & 1.75" Input Shafts.
RR1006TR	Auxiliary Section Lifting Bracket	Used to lift Transmission Auxiliary Sections.
RR1007TR	Shimming Gauge - Auxiliary Countershaft (0.100")	Used for setting proper Auxiliary Countershaft Bearing clearance on FR-series and RT-series (Gen 7 & 9) Transmissions.
RR1010TR	Slide Hammer	Used to remove Bearing Races, Reverse Idler Shafts, and Seals.
RR1011TR-1	Slide Hammer Attachment	Used for removing Output Seals.
RR1011TR-2	Slide Hammer Attachment	Used for removing Bearing Races from the Transmission Case.
RR1011TR-3	Slide Hammer Attachment	Used for removing Bearing Races from the Transmission Case.
RR1011TR-4	Slide Hammer Attachment	Used for removing Reverse Idler Shafts on FR-series Transmissions.
RR1012TR-5	Driver - Auxiliary Countershaft Bearings	Used to install Auxiliary Countershaft Bearings on FR & RT-series Transmissions with Auxiliary Section Helical Gearing.
RR1013TR	Timing Block - RT-series Countershaft	Used to support the Upper Countershaft during Main Box assembly on RT-series Transmissions.
RR1014TR	Puller - Countershaft Front Bearings	Used to remove Front Countershaft Bearing on FR-series Transmissions.
RR1015TR	Driver - Countershaft Front/Rear Bearings	Used to install Front and Rear Countershaft Bearing on FR-series Transmissions.
RR1017TR	Pusher - Countershaft	Used to push the Countershaft Assembly rearward to create clearance for Bearing Puller on FR & RT-series Transmissions.
RR1019TR	Hand Maul	Used with Bearing and Seal Drivers for part installation/removal.
RR1020TR	Soft Bar	Used with Hand Maul to remove parts from the Transmission.
RR1022TR	Countershaft Support Tool	Used to support the Upper Countershaft during Main Box disassembly on FR & RT-series Transmissions.
RR1023TR	Puller - Input Bearing	Used to remove the Input Bearing on FR & RT-series Transmissions.
RR1024TR	Driver - Output Bearing	Used to install the Output Bearing on FR & RT-series Transmissions.
RR1025TR	Timing Block - FR-series Countershaft	Used to support the Upper Countershaft during Main Box assembly on FR-series Transmissions.

Tools

Shop Equipment

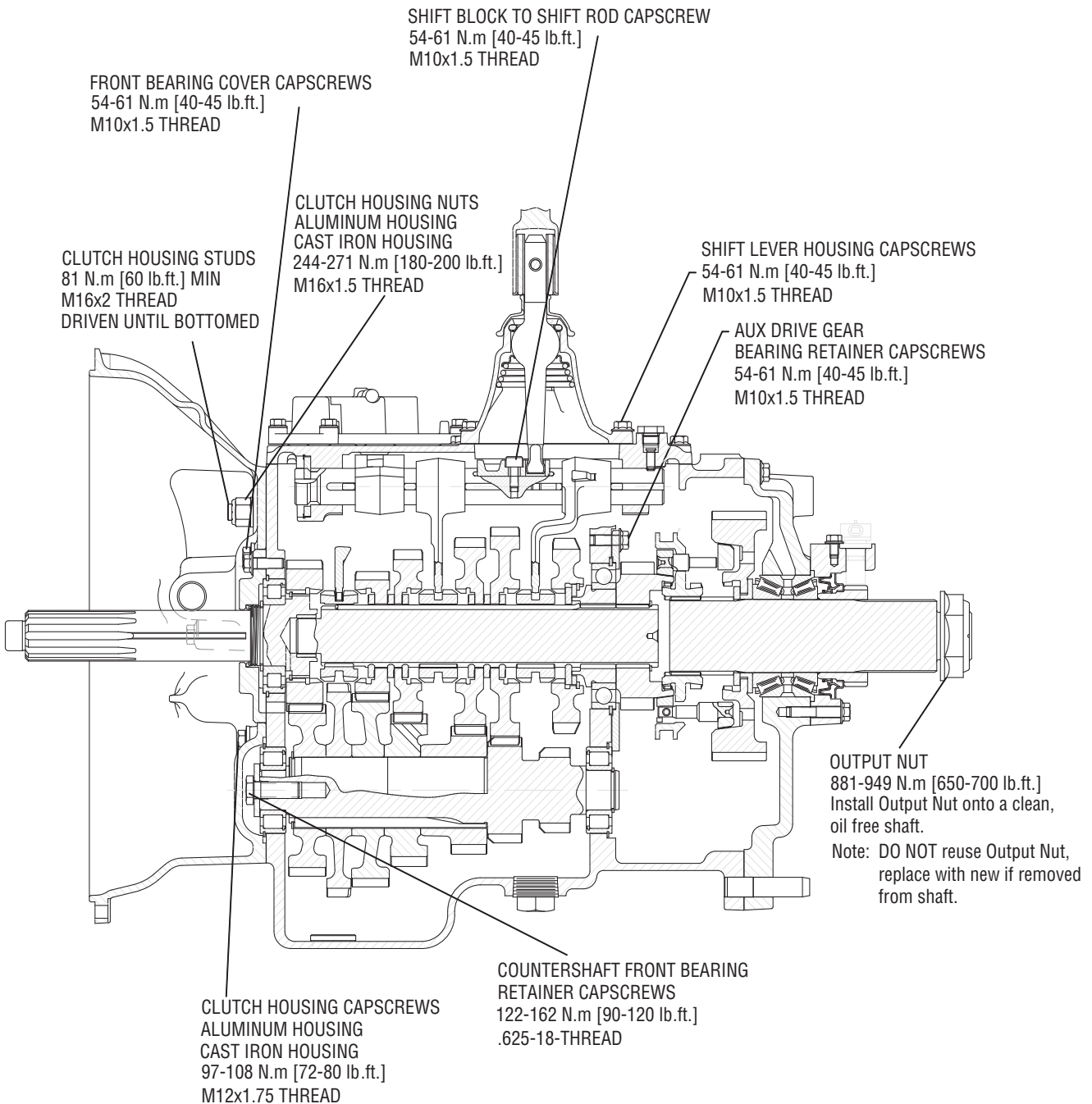
20 Ton Capacity Press	To press Countershaft Gears from Countershaft.
-----------------------	--

Eaton Aftermarket Parts

The following tools are available through Eaton Aftermarket Parts. To obtain any of the tools listed, contact your local Eaton parts distributor:

Tool	Purpose	Eaton Part Number
5/32" Air Line Release Tool	To remove 5/32" air lines from push-to-connect fittings.	P/N 4301157 included in Kit K-2394.
Air Line Cutting Tool	To cut plastic air lines smoothly and squarely.	P/N 4301158 included in Kit K-2394.

Torque Specifications

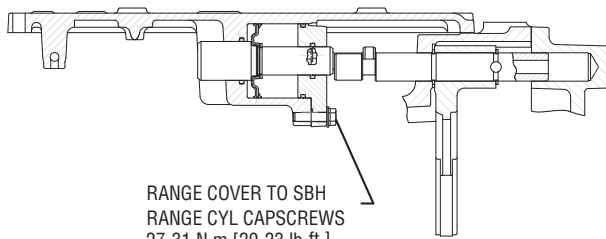
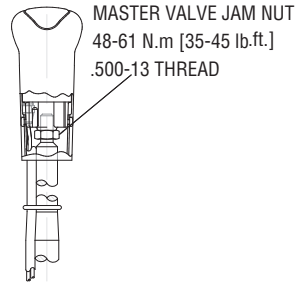


General Information

Torque Specifications

PIPE THREAD TORQUE SPECIFICATIONS, UNLESS OTHERWISE SPECIFIED:

PIPE THREAD SIZE	HYDRAULIC LINE SEALANT
.0625 - 27	6.8-9.5 N.m [60-94 lb.in]
.125 - 27	9.5-13.6 N.m [84-120 lb.in]
.250 - 18	20.3-27.1 N.m [180-240 lb.in]
.375 - 18	33.9-47.5 N.m [300-420 lb.in]



SHIFT LEVER SHOULDER BOLT AND NUT
14-16 N.m [10-12 lb.ft.]
.3125-18 THREAD

SUPPORT STUDS
81 N.m [60 lb. ft.]
M16x2 THREAD
DRIVE UNTIL BOTTOMED

SUPPORT STUD NUTS
230-257 N.m [170-190 lb.ft.]
M16x1.5 THREAD

CAPTIVATED LIFTING EYE CAPSCREWS
54-61 N.m [40-45 lb.ft.]
M10x1.5 THREAD

AUX C'SHAFT REAR BEARING COVER CAPSCREWS
54-61 N.m [40-45 lb.ft.]
M10x1.5

SPEEDO SENSOR CAPSCREW
27-31 N.m [20-23 lb.ft.]
M8x1.25 THREAD

AUX HOUSING CAPSCREWS
54-61 N.m [40-45 lb.ft.]
M10x1.5 THREAD

SMALL PTO COVER CAPSCREWS
54-61 N.m [40-45 lb.ft.]
M10x1.5 THREAD

OIL FILL PLUG
47-67 N.m [35-50 lb.ft.]
1.0625-12 THREAD

OIL DRAIN PLUG
61-74 N.m [45-55 lb.ft.]
.750 PIPE THREAD

LARGE PTO COVER CAPSCREWS
77-88 N.m [57-65 lb.ft.]
M12x1.75 THREAD

REAR BEARING COVER CAPSCREWS
54-61 N.m [40-45 lb.ft.]
M10x1.5 THREAD

HAND HOLE COVER CAPSCREWS
19-24 N.m [14-18 lb.ft.]
.3125-18 THREAD

THERMOCOUPLE PLUG
54-67 N.m [40-50 lb.ft.]
.500 PIPE THREAD

Power Flow Diagrams

An understanding of the engine's power flow through a Transmission in each particular gear will assist the technician in troubleshooting and servicing a Transmission.

The Eaton Fuller Roadranger Transmission can be thought of as two separate "Transmissions" combined into one unit. The first "Transmission" or Front Section contains six gear sets which are shifted with the Gear Shift Lever. The second "Transmission" called the Auxiliary Section, contains two gear sets and is shifted with air pressure.

Note: This Transmission is referred to as a constant mesh type Transmission. When in operation, all gears are turning even though only some of them are transferring power.

Figure 2-3 below shows the Transmission with the main components called out. Note that the Transmission is in the Neutral position because the Sliding Clutches are all in their center positions and not engaged in any gears.

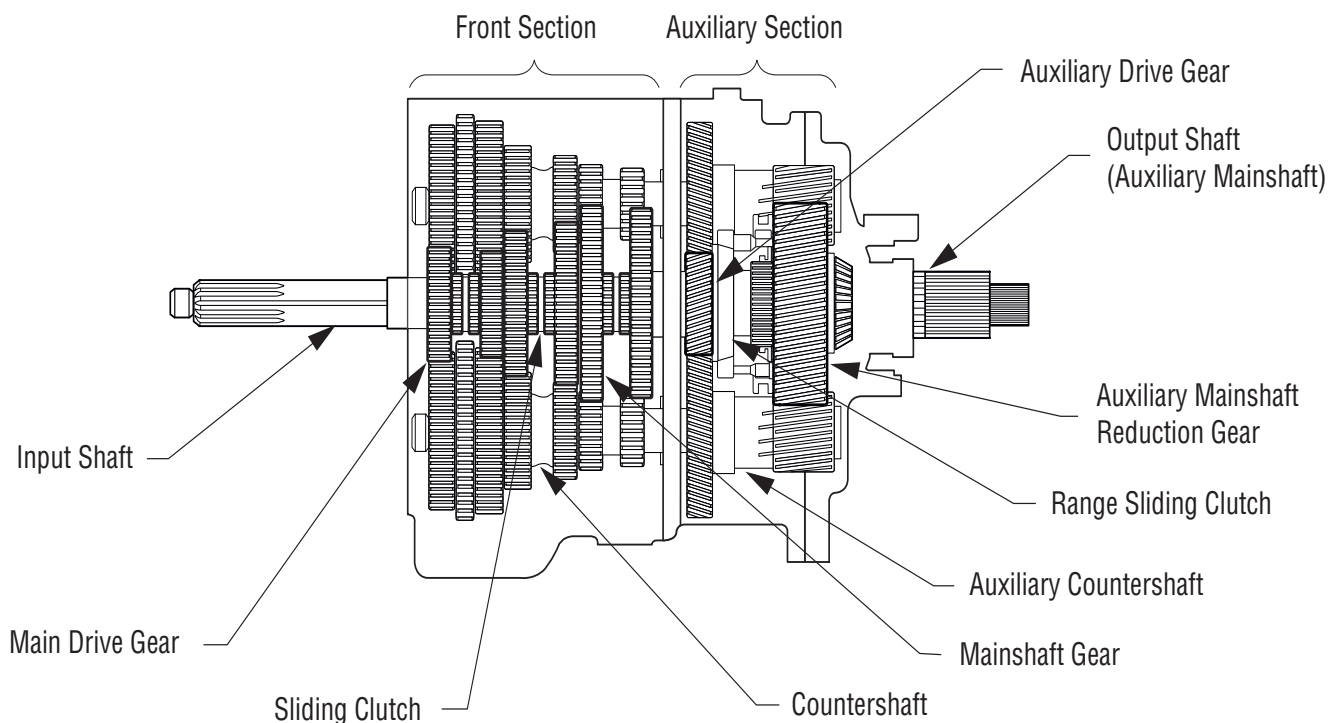


Figure 2-3. Transmission Components Important for Understanding Power Flow

Power Flow

Front Section Power Flow

Note: The heavy lines in Figure 2-4 outline the power flow description below. For help in understanding the Transmission components, refer to Figure 2-3.

1. Power (torque) from the vehicle's engine is transferred to the Transmission's Input Shaft.
2. The Input Shaft rotates the Main Drive Gear through internal splines in the hub of the gear.
3. The Main Drive Gear meshes with both Countershaft driven gears and the torque is split between both Countershafts.
4. Because the Countershaft Gears are in constant mesh with the Mainshaft Gears, all the Front Section gearing rotates. However, only the engaged Mainshaft Gear will have torque. External clutching teeth on the Sliding Clutch will engage internal clutching teeth on the selected Mainshaft Gear. Torque will now be provided from both opposing Countershaft Gears, into the engaged Mainshaft Gear, and through the Sliding Clutch to the Front Section Mainshaft.
5. The rear of the Front Section Mainshaft is spined into the Auxiliary Drive Gear and torque is now delivered to the Auxiliary Section.

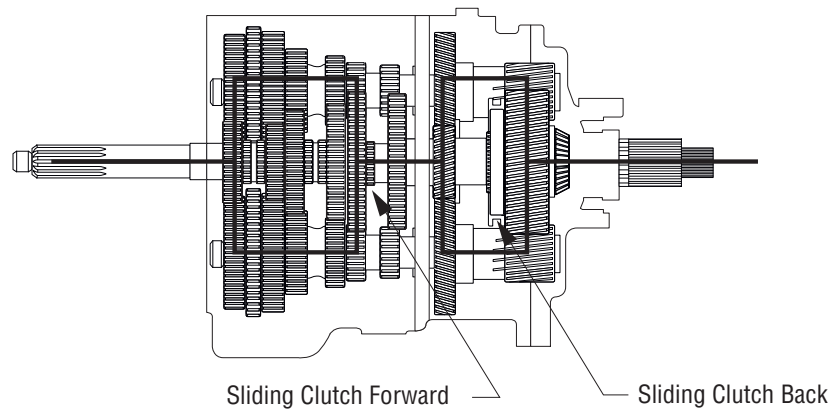


Figure 2-4 Front Section Torque (1st Gear)

Front Section Power Flow - Direct Gear

In direct gear (5th/10th for FR model, 4th/9th for FRO model), the Front Sliding Clutch is moved forward and engages into the back of the Main Drive Gear. Torque will flow from the Input Shaft to the Main Drive Gear, Main Drive Gear to Sliding Clutch, Sliding Clutch straight into the Front Section Mainshaft which delivers the torque to the Auxiliary Drive Gear.

Note: All Countershaft and Mainshaft Gears will rotate, but the gears will not be loaded.

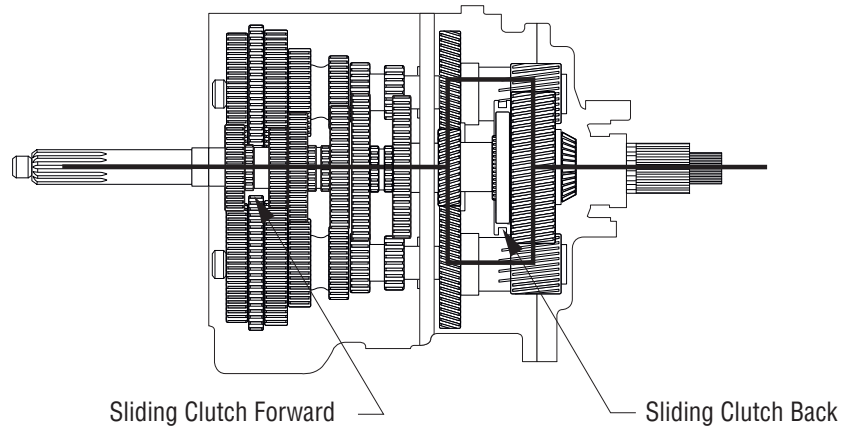


Figure 2-5 5th Gear FR, 4th Gear FRO

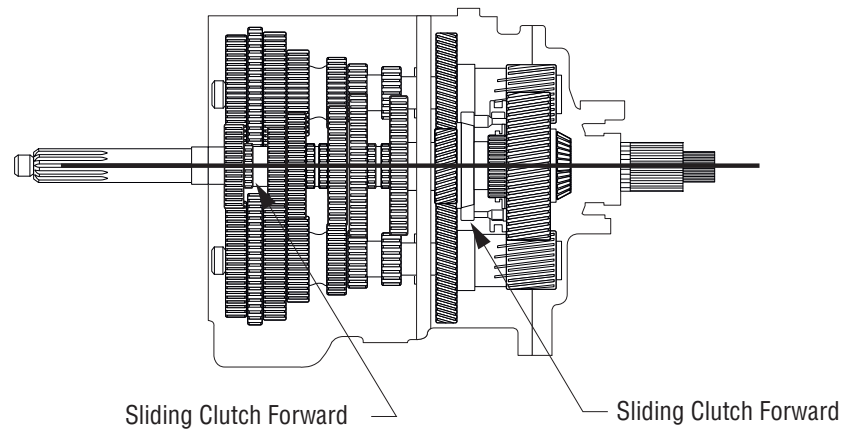


Figure 2-6 10th Gear FR, 9th Gear FRO

Power Flow

Front Section Power Flow - Reverse Gear

Torque will flow from the Countershafts to the Reverse Idler Gears. Torque will then flow from the Reverse Idler Gears to the Mainshaft Reverse Gear. Torque will now travel through the Mainshaft Reverse Gear, the Sliding Clutch in the Reverse position and then to the Mainshaft and Auxiliary Drive Gear.

Note: The Idler Gears cause the reversal of rotation.

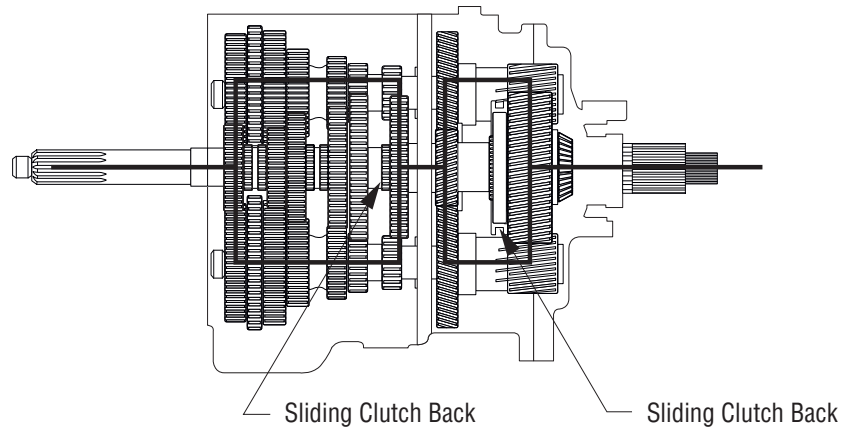


Figure 2-7 Reverse Gear - Low Range

Auxiliary Section Power Flow - Low Range

The Auxiliary Drive Gear transfers torque to both Auxiliary Countershafts.

If the Auxiliary Section is in Low Range, the Range Sliding Clutch is rearward and engaged into the Auxiliary Mainshaft Reduction Gear. Torque will flow from the Auxiliary Countershafts, into the Auxiliary Mainshaft Reduction Gear, through the Range Sliding Clutch and then into the Output Shaft (Auxiliary Mainshaft).

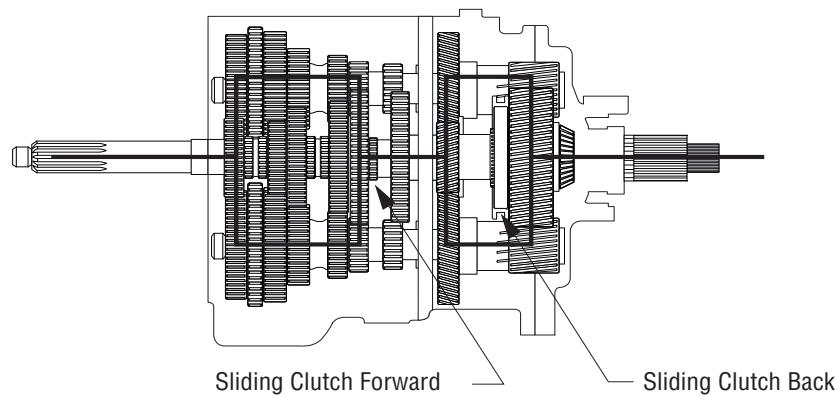


Figure 2-8 Low Range (Sliding Clutch Back)

Power Flow

Auxiliary Section Power Flow - High Range

If the Auxiliary Section is in High Range, the Range Sliding Clutch is forward and engaged into the back of the Auxiliary Drive Gear. Torque will flow from the Auxiliary Drive Gear to the Range Sliding Clutch. Because the Range Sliding Clutch has internal splines which connect to the Output Shaft, torque will flow straight through the Auxiliary Section.

Note: The auxiliary gearing will still turn, but the gears will not be loaded.

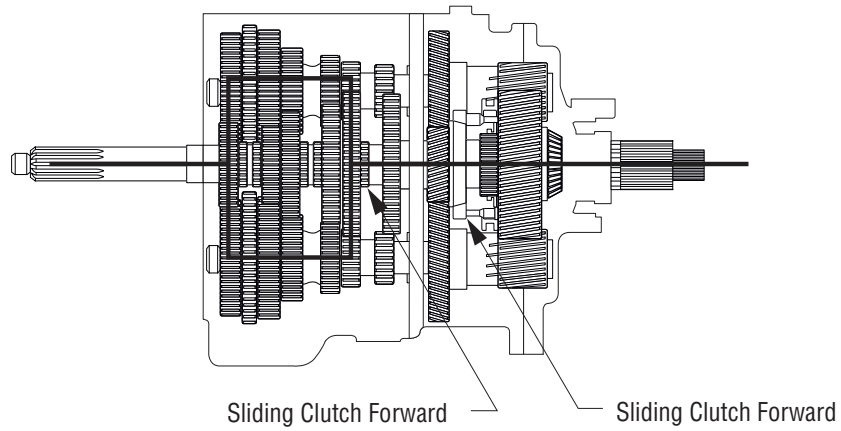
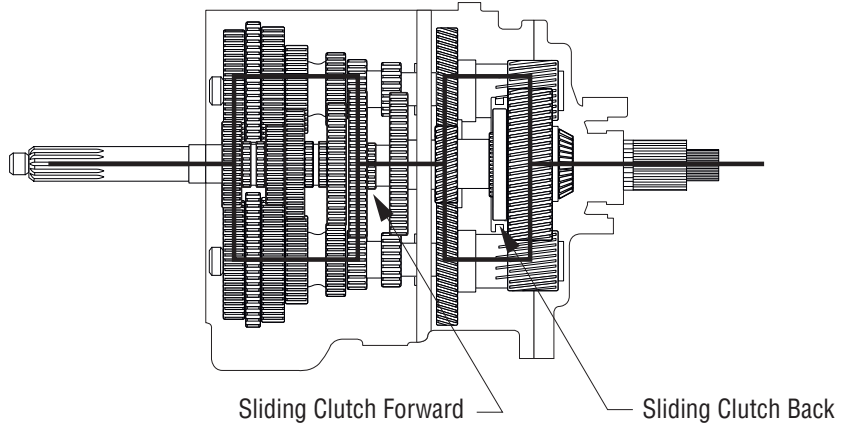


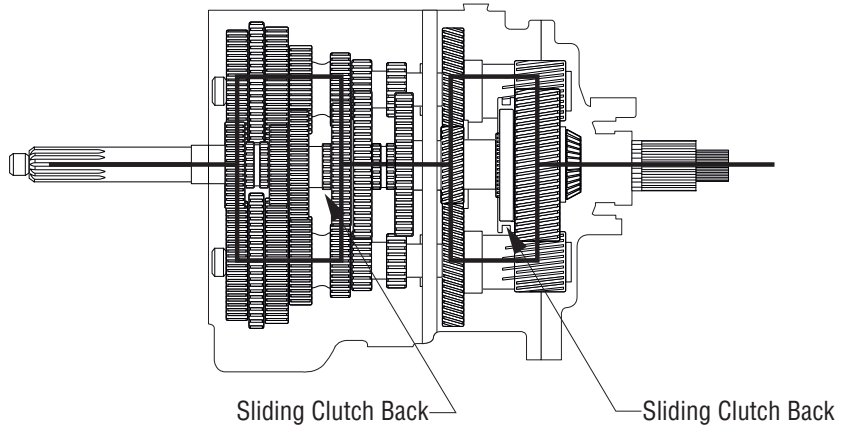
Figure 2-9 High Range Selected (Sliding Clutch Forward)

FR/FRO-1X210

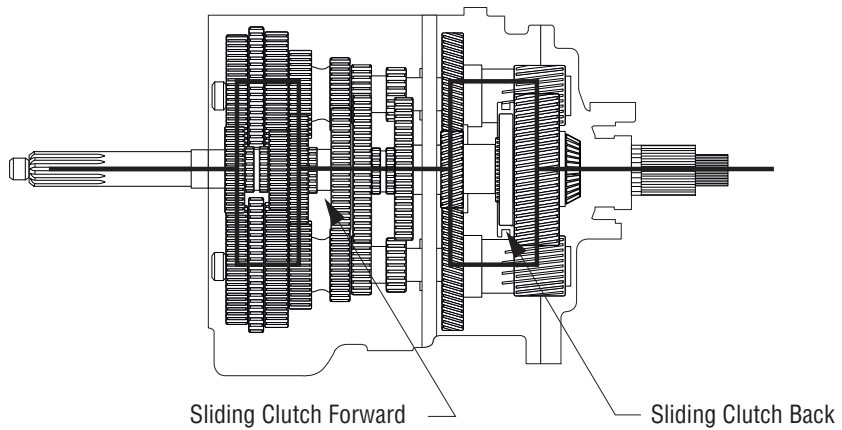
1st Gear



2nd Gear



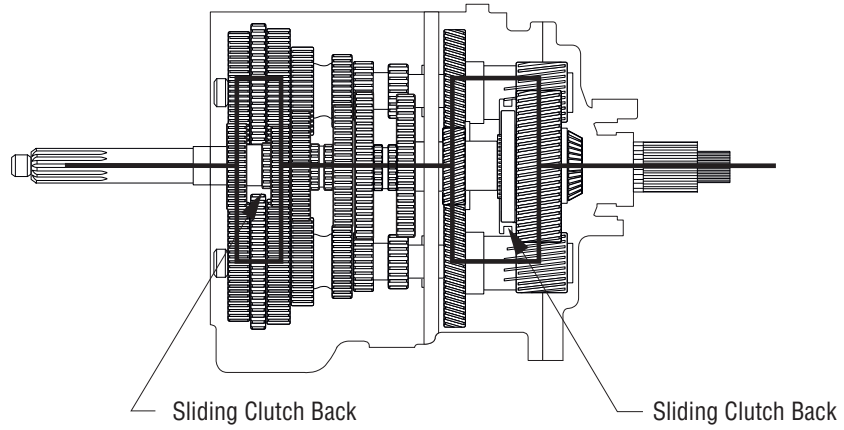
3rd Gear



Power Flow

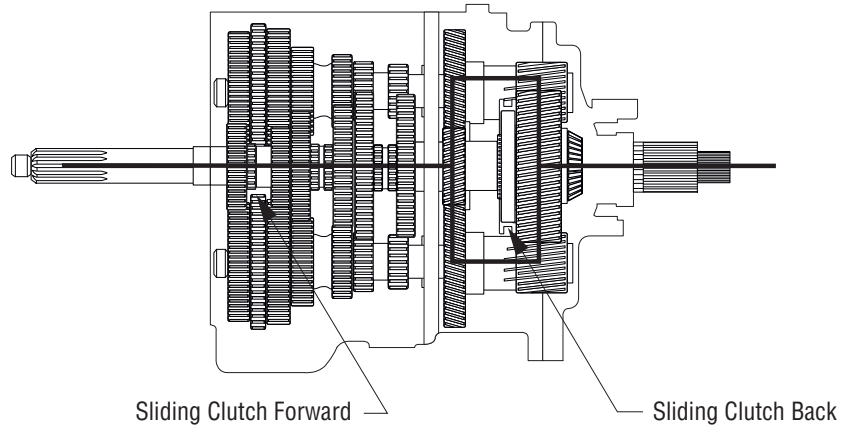
4th Gear-FR/Direct Drive Transmission

5th Gear- FRO/Overdrive Transmission

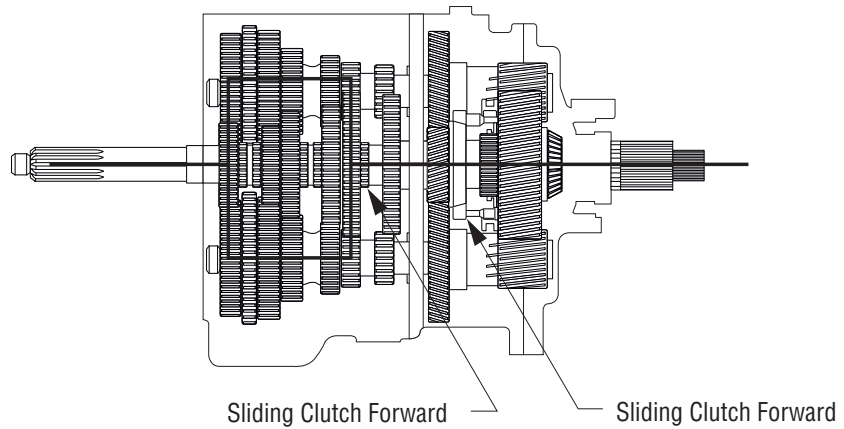


5th Gear- FR/Direct Drive Transmission

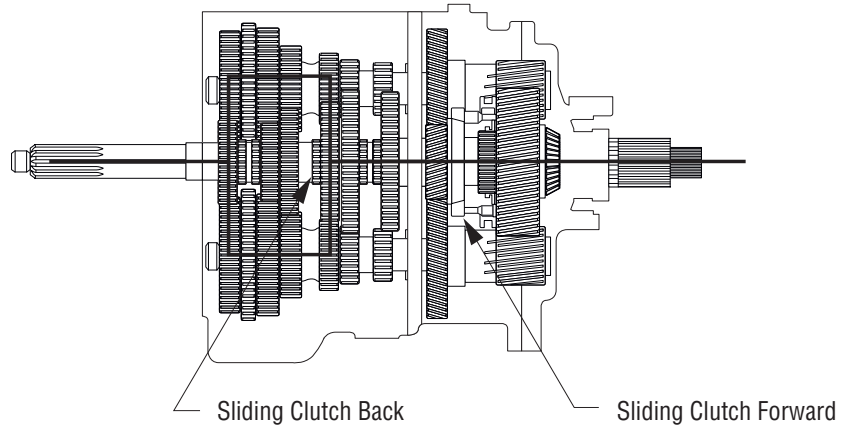
4th Gear FRO/Overdrive Transmission



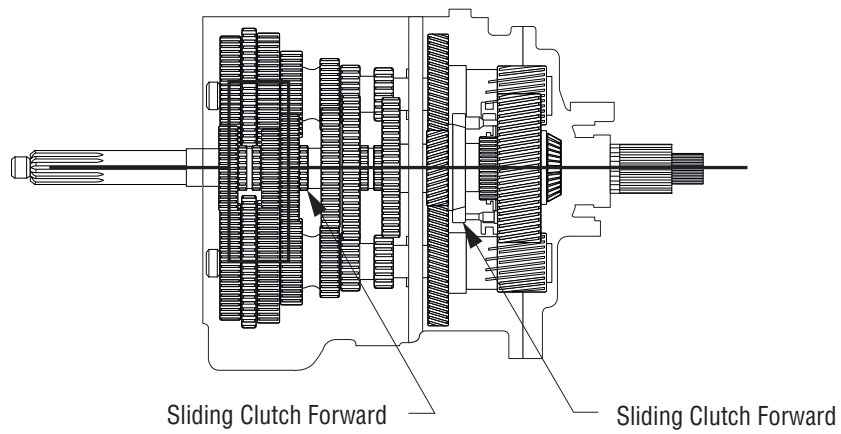
6th Gear



7th Gear

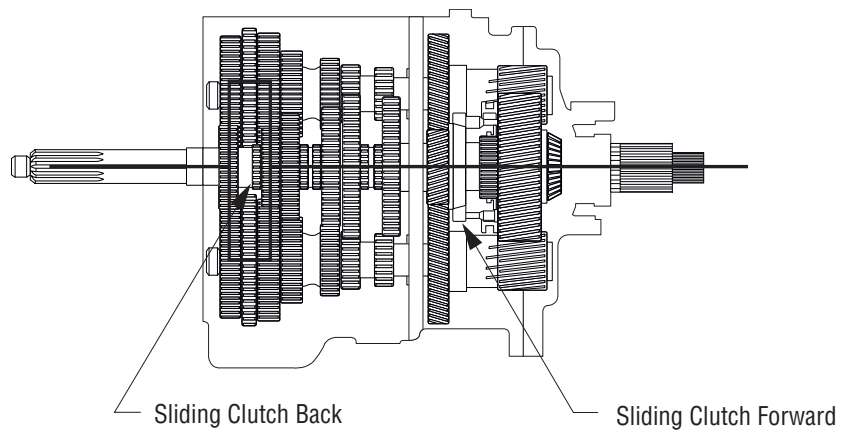


8th Gear



9th Gear-FR/Direct Drive Transmission

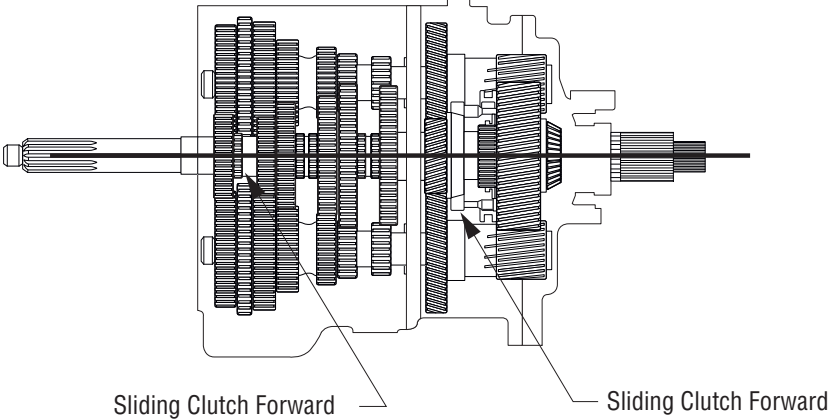
10th Gear-FRO/Overdrive Transmission



Power Flow

10thGear-FR/Direct Drive Transmission

9th Gear-FRO/Overdrive Transmission



Air System Troubleshooting

The symptoms listed below are covered on the following pages. Before beginning any of those troubleshooting procedures, place the Transmission in Neutral and move the Range Selection Lever from Low to High. Listen for any constant air leak from the Shift Knob, Air Module Base (exhaust), or Transmission Breather. If a constant leak is heard, go to that particular leak troubleshooting procedure first.

If you do not see the symptom you need to correct, refer to the General Troubleshooting Chart.

Symptom

- Air Leak from Air Module Base (Exhaust Leak)
- No or Slow Range Shift into High (Shift into Low Range is good)
- No or Slow Range Shift into Low (Shift into High Range is good)
- Constant Air Leak from Shift Knob
- Range Shifts in Gear
- Air Leak from Transmission Breather or Transmission Case is Pressurized

Note: Use the Air System Troubleshooting Procedures for part replacement only if the symptom can be duplicated. If the problem is intermittent, parts that are not defective could be replaced.

Note: During all testing, the vehicle air pressure must be greater than 90 PSI (620 kPa). If during testing the pressure falls below 90 PSI (620 kPa), make sure the Transmission is in Neutral, start the engine and let the pressure build to governor cutoff. After the pressure reaches the governor cutoff, continue testing. The pressure is critical if the vehicle is equipped with a Vehicle Air System Pressure Protection Valve that would shut off the air supply to certain air circuits if the system pressure dropped below a preset level.

Note: A 0–150 PSI (0–1034 kPa) Air Gauge with a 1/16" male pipe thread fitting attachment is required for some of the test procedures.

Note: Regulated air pressure is 75–85 PSI (517–586 kPa).



Prior to removing the Air Module, exhaust the air from it. Failure to exhaust the Air Module may result in personal injury or damage to parts from the sudden release of air.

Use care when removing the Test Port Pipe Plugs. If air pressure is present on the plug, it can become a projectile during removal. When removing the “L” plug or “H” plug, pressure can be shut off by selecting the opposite range mode. If removing the “F” plug, exhaust the air to the Module Inlet.

Air System Troubleshooting

Air System Symptom - Air leak from Module Base (Exhaust)

Short bursts of air leakage from the Module Base (exhaust) are normal as the Range System is shifted. The Module Base is defined as both the interface of the Module Cover and Module Base and the extreme underside of the Module. Leakage is a problem when it is audible and constant. Air leakage from the Module Base may result from either a defective Air Module or a defective Range Piston. The following procedure will identify the defective component.

Test Procedure:

1. Check for air leakage from the Module Base (exhaust) in each of the four following conditions. (Make sure the range is shifted when the Shift Lever is shifted into Neutral.)
 - a. Range Selection Lever in Low and Shift Lever in neutral.
 - b. Range Selection Lever in Low and Shift Lever in gear.
 - c. Range Selection Lever in High and Shift Lever in neutral.
 - d. Range Selection Lever in High and Shift Lever in gear.

Record the findings (constant leak or no leak) in the following table:

	Range Selector in LOW	Range Selector in HIGH
Lever in Neutral		
Lever in Gear		

2. If the information you recorded at step 1 matches one of the following tables, replace the Air Module. If your table does not match either of the tables, it will be necessary to isolate and test the Air Module separately, continue to Step 3.

	Range Selector in LOW	Range Selector in HIGH
Lever in Neutral	No Leak	Constant Leak
Lever in Gear	No Leak	Constant Leak

	Range Selector in LOW	Range Selector in HIGH
Lever in Neutral	Constant Leak	Constant Leak
Lever in Gear	Constant Leak	Constant Leak



Failure to exhaust the air pressure may cause personal injury or damage to parts.

3. Exhaust the air pressure from the Air Module. To do so, the vehicle's Air Tanks may need to be exhausted.
4. Leaving all Air Lines connected to the Module, remove the four capscrews attaching the Air Module to the Shift Bar Housing. Lift the Air Module and tilt it to gain access to the two air holes at the underside on the rear capscrew location. Do not damage or lose the two O-rings used to seal the holes.
5. Block off the Air Ports on the underside of the Module. Use a piece of gasket material or rubber material to seal the bottom of the Module as shown in Figure 4-4 "Air System Nomenclature".
6. Repressurize the Air module with an inlet supply pressure of over 90 PSI (620 kPa). To repressurize the Air Module, the vehicle may need to be started and air pressure allowed to build up.
7. Check for air leakage in both High and Low Range. If air continues to leak constantly from the exhaust, the Air Module is defective. If air does not leak, a Range Cylinder Piston or Piston Seal failure has occurred. Remove the Shift Bar Housing to gain access to the Range Shift Cylinder.

Air System Symptom - No or Slow Range Shift into High (Shift into Low Range is Good)

This Transmission contains a SynchroSaver feature to protect the High Range Synchronizer. When High Range is selected and a Front Section Gear is engaged, air pressure is supplied to both sides of the Range Piston, which reduces Synchronizer force. Therefore, if the driver engages a Front Section Gear before the High Range Synchronizer engages, the High Range Synchronizer will remain in Neutral. When a Front Section Gear engages before the Synchronizer Shift completes, the driver must shift the Lever back to Neutral to allow the High Range Synchronizer to complete its shift. Once the Range Shift is complete, the driver can complete the Front Section shift.

If the High Range Synchronizer hangs up or is slow to synchronize, the Front Section may engage first. The driver complaint will be that the Transmission “neutralizes” on a shift to High Range. If this condition occurs, perform the following test of the Air System to eliminate the Air System as the source of the problem. If the Air System performs properly, then the problem is internal to the Transmission Range Synchronizer System.

Note: The driver must preselect all Range Shifts.

Note: If a capscrew or stud is installed too far into the right side (Air Module side) rear support hole, the fastener can extend too far into the Transmission. The fastener may contact the Range Yoke and bind the Range Synchronizer Assembly during the Range Shift.

Test Procedures:

1. Check the Shift Knob operation.

On the Shift Knob, remove the screws holding the Plastic Skirt. Slide the Skirt down and out of the way. Move the Range Selection Lever up into High Range. Disconnect the black line connected to the “P” port on the Knob.

Question	Result	What to do next
Does air come out of the “P” port on the Knob?	Yes	Repair or replace the Knob
	No	Reconnect the Air Line to the Knob, and continue to the next Step.

Air System Troubleshooting

2. Test the Regulator pressure. (Regulator pressure should be between 75–85 PSI (517–586 kPa)).

Reconnect the “P” line at the Shift Knob. Locate the two small Pipe Plugs on the rear of the Air Module. One is labeled “H” the other “L”. (See figure 4-1 “Air System Nomenclature”). Install a 0–150 PSI (0–1034 kPa) Air Gauge in the port marked “H.”

Note: Prior to removing the Pipe Plug, turn off the air flow by flipping the Range Selector down into the Low Range position. The Transmission must be in Neutral.

Move the Range Selector up to the High Range position and record the pressure on the Gauge. Match the pressure to one of those on the chart on the next page, and follow the corresponding instructions.

Question	Result	What to do Next
What is the air pressure at the “H” port?	75–85 PSI (517–586 kPa) (to specification)	Continue to the next Step.
	Less than 75 PSI (517 kPa)	Warning: The Pipe Plug to be removed in this procedure is pressurized and could be expelled with great force. To prevent personal injury or damage to parts, exhaust the air Module before removing the Plug, and repressurize the Air Module after installing the Gauge. On the top of the Air Module, remove the Test Port Pipe Plug for filtered vehicle air. (Marked “F” as shown in figure 4-1.) Install the Test Gauge in the “F” port, and check the pressure. If the pressure is less than 90 PSI (620 kPa), repair the Vehicle Air System to achieve full vehicle air pressure at the Air Module Inlet, and repeat the test. If the pressures greater than 90 PSI (620 kPa) and no external air leaks were detected from the Air Module, Shift Knob, or Transmission, replace the Air Module.
	Greater than 85 PSI (586 kPa)	Replace the Air Module.

3. Check the Spool Valve function.

With the Shift Lever in Neutral, move the Range Selector from Low to High several times. Answer the question on the chart below, and follow the instructions corresponding to the result.

Question	Result	What to do Next
Does the Gauge rapidly go from 75–85 PSI (517–586 kPa) in High to 0 PSI in Low?	Yes	Air System performs properly. Go to Step 5.
	No	Continue to the next Step.

4. Isolate and test the Air Module. Refer to Figure 4-4 “Air System Nomenclature” to see an example of an isolated Air Module.



Failure to exhaust the Air Module may cause personal injury or damage to parts due to the rapid release of air.

Exhaust the air pressure from the Air Module. To do so, the vehicle air tanks may need to be exhausted. Remove the four capscrews attaching the air module to the shift bar housing. Lift the air module and tilt it to gain access to the two air holes at the underside at the rear capscrew location. Do not damage or lose the two O-rings used to seal the holes. Block off the air ports on the underside of the module. Repressurize the air module with an inlet supply pressure of over 90 PSI (620 kPa). To repressurize the air module, the vehicle may need to be started and the air pressure allowed to build. With the shift lever in neutral and the gauge still in the “H” test port, move the range selection lever from high to low (down) position.

Answer the question on the chart below, and follow the instructions corresponding to the result.

Question	Result	What to do Next
Does the Gauge rapidly go from 75–85 PSI (517–586 kPa) in High to 0 PSI in Low?	Yes	Continue to the next Step.
	No	Replace the Air Module.

5. Install the Air Module, and remove the Range Alignment Lock Cover (Figure 4-3 “Air System Nomenclature”). Then move the Range Selection Lever from the Low to High (up) position. If range now shifts properly, inspect and correct the source of binding between Lock Cover and Range Yoke Bar.

NOTE: To prevent binding, Range Alignment Lock Cover Capscrews must be tightened when Transmission is in Low Range. If the Transmission does not shift properly, continue to Step 6.

6. Remove the Auxiliary Section and inspect the Range Synchronizer, Range Yoke, Range Yoke Bar, Range Yoke Snap Ring, Range Sliding Clutch, and mating gears for excessive wear, binding, or damage. Repair as necessary. If these components do not need repair, continue to Step 7.

7. Remove the Shift Bar Housing and inspect the Range Piston, Piston Bar, and Cylinder for excessive wear, binding, or damage. Repair as necessary.

Air System Troubleshooting

Air System Symptom - No or Slow Range Shift into Low (Shift into High is Good)

Test Procedures:

1. Check the Shift Knob operation.

On the Shift Knob, remove the two screws holding the Plastic Skirt. Slide the Skirt down and out of the way. Move the Range Selector up into High Range. Disconnect the black line connected to the “P” port on the Knob. Move the Range Selector down into Low. Answer the question on the chart below and follow the instructions corresponding to the result:

Question	Result	What to do Next
Does air come out of the “P” port on the Knob?	Yes	Go to Step 3.
	No	Reconnect the Air Line to the Knob, and continue to the next Step.

2. Check the air supply to the Shift Knob.

Disconnect the red line from the “S” port on the Shift Knob. Answer the question on the chart below and follow the instructions corresponding to the result:

Question	Result	What to do Next
Is air coming out of the red line?	Yes	Repair or replace the Shift Knob.
	No	Loosen the air fitting for the line that supplies vehicle air to the Module Inlet. If no air is available here, repair the vehicle air to the Air Module. If air is available at the Inlet, check the red line going from the Air Module to the Shift Knob for obstructions or damage. If the line is clear, replace the Air Module.

3. Check the black line for obstruction.

Reconnect the black line at the Shift Knob. At the Air Module, disconnect the black air line from the “P” port. Answer the question on the chart below and follow the instructions corresponding to the result:

Question	Result	What to do Next
Is air available on the line when the Range Selector is in the Low position?	Yes	Continue to next Step.
	No	Repair the black line for damage or obstruction.

4. Check the Regulator pressure.

Reconnect the “P” line at the Air Module. Locate the two small Pipe Plugs on the rear of the Air Module. One is labeled “H,” and the other is labeled “L”. (See Figure 4-1 “Air System Nomenclature”). Install a 0–150 PSI (0–1034 kPa) Air Gauge in the port marked “L”.

Note: Prior to removing the Pipe Plug, turn off the air flow by placing the Range Selector up into the High Range position. The Transmission must be in Neutral.

Move the Range Selector down to the Low position and record the pressure on the Gauge. Match the air pressure to one of those described on the chart on the next page, and follow the corresponding instructions:

Question	Result	What to do Next
What is the air pressure at the “L” port?	75–85 PSI (517–586 kPa) (To specification.)	Continue to the next Step.
	Less than 75 PSI (517 kPa)	<p>Warning: The Pipe Plug to be removed in this procedure is pressurized and could be expelled with great force. To prevent personal injury or damage to parts, exhaust the Air Module before removing the plug, and repressurize the Air Module after installing the Gauge</p> <p>On the top of the Air Module, remove the Test Port Pipe Plug for filtered vehicle air. (Marked “F” as shown in figure 4-1 “Air System Nomenclature”).</p> <p>Install the Test Gauge in the “F” port, and check the pressure. If the pressure is less than 90 PSI (620 kPa), repair the Vehicle Air System to achieve full vehicle air pressure at the Module Inlet, and repeat the test. If the pressure is greater than 90 PSI (620kPa) and no external air leaks were detected form the Air Module, Shift Knob, or Transmission, replace the Air Module.</p>
	Greater than 85 PSI (586 kPa)	Replace the Air Module.

5. Check the Spool Valve function.

With the Shift Lever in Neutral, move the Range Select from Low to High several times. Answer the question on the chart below and follow the instructions corresponding to the result:

Question	Result	What to do Next
Does the Gauge rapidly go from 75–85PSI (517–586 kPa) in Low to 0 PSI in High	Yes	Air System performs properly. Go to Step 7.
	No	Continue to the next Step.

Air System Troubleshooting

6. Isolate the Air Module from the Transmission. Refer to Figure 4-4 “Air System Nomenclature” to see an example of an isolated Air Module.



Failure to exhaust the Air Module may cause personal injury or damage to parts due to the rapid release of air.

Exhaust the air pressure from the Air Module. To do so, you may have to exhaust the vehicle air. Remove the four capscrews attaching the Air Module to the Shift Bar Housing. Lift the Air Module and tilt it to gain access to the two air holes on the underside at the rear capscrew location. Do not lose or damage the two small O-rings that seal the holes. Block off the air ports at the underside of the module. Repressurize the Air Module with an inlet supply pressure of over 90 PSI (620 kPa). To repressurize the Air Module, the vehicle may have to be started and the air pressure allowed to build. With the Shift Lever in Neutral and the Gauge still in the “L” Test Port, move the Range Selector from Low to High (up) position.

Answer the question on the chart below, and follow the corresponding instructions:

Question	Result	What to do Next
Does the Gauge rapidly go from 75–85PSI (517–586 kPa) in Low to 0 PSI in High	Yes	Continue to next Step.
	No	Replace the Air Module.

7. Install the Air Module, and remove Range Alignment Lock Cover (Figure 4-4 “Air System Nomenclature”). Then move the Range Selector from Low to High (up) position. If range now shifts properly, inspect and correct source of binding between Lock Cover and Range Yoke Bar.

NOTE: To prevent binding, Range alignment Lock Cover Capscrew must be tighten when Transmission is in Low Range. If Transmission does not shift properly, continue to Step 8.

8. Remove the Auxiliary Section, and inspect Range Synchronizer, Range Yoke, Range Yoke Bar, Range Yoke Snap Rings, Range Sliding Clutch, and mating gears for excessive wear, binding, or damage. Repair as necessary. If these components do not need repair, continue to Step 9.

9. Remove Shift Bar Housing and inspect Range Piston, Piston Bar, and Cylinder for excessive wear, binding, or damage. Repair as necessary.

Air System Symptom - Constant Air Leak from Shift Knob

In normal operation, a burst of air will be exhausted from the Shift Knob when moving the Range Selector from Low to High Range.

If a constant air leak is detected, first check for a leaking fitting. If the leak occurs when both High and Low Range are selected and the leak is from the exhaust "E" port on the Shift Knob. Repair or replace the Shift Knob.

If the leak only occurs in High Range, check for reversed hook up of "P" and "S" air lines. If the air lines are connected properly, repair or replace the Shift Knob.

Air System Troubleshooting

Air System Symptom - Range Shift While Transmission is in Gear

The Interlock Mechanism allows the driver to move the Range Selection Lever while still in gear (preselect). The range will then shift when the Shift Lever moves into Neutral. If the driver preselects a Range Shift and the shift occurs while the Shift Lever is in gear, a problem is present.

Test Procedures:

 **WARNING**

Failure to exhaust the Air Module may cause personal injury or damage to parts due to the rapid release of air.

1. Exhaust air pressure from the Air Module. To do so, the vehicle air may need to be exhausted.
2. Remove the four capscrews attaching the Air Module to the Shift Bar Housing. Lift the Air Module and tilt it to gain access to the Module Interlock Finger. Do not lose or damage the two O-rings at the rear mounting capscrew.
3. Inspect the Module Interlock Finger for excessive wear. Replace, if necessary.
4. Shine a bright light into the hole the Interlock Finger engages. Inspect the Chamfer on the Shift Shaft for excessive wear. To inspect the Chamfer, the Transmission may need to be shifted into gear so both the forward and rearward Chamfers are visible. If the Chamfer is excessively worn, remove the Shift Bar Housing, disassemble, and replace the worn parts.
5. If the Shift Shaft is not excessively worn, replace the Air Module.

Air System Symptom - Air Leak From Breather or Case is Pressurized

If the air leak occurs when the Transmission is in High Range, the problem is with the Range Cylinder in the Transmission. Remove the Shift Bar Housing, and disassemble and inspect the Range Cylinder for worn or missing O-rings. Also, inspect the Shift Bar Housing for cracks or porosity.

If the leak only occurs when the Transmission is shifted to Low Range, the Air Module may be leaking into the Transmission at the Interlock Finger location. Prior to removing the Shift Bar Housing, perform the following test to determine the problem:

Test Procedures:



Failure to exhaust the Air Module may cause personal injury or damage to parts due to the rapid release of air.

Exhaust the air pressure from the Air Module. To do so, the vehicle air may need to be exhausted. Remove the four capscrews attaching the Air Module to the Shift Bar Housing. Lift the Air Module and tilt it to gain access to the two air holes at the underside at the rear capscrew location. Do not lose or damage the two small O-rings near the rear capscrew location. Block off the air ports on the underside of the Module (Figure 4-4 "Air System Nomenclature"). Repressurize the Air Module with an inlet supply pressure of over 90 PSI (620 kPa). Repressurizing the Air Module may require starting the vehicle and allowing the air pressure to build. Shift the Transmission into Low Range. Answer the question on the chart below, and follow the instructions corresponding to the result:

Question	Result	What to do Next
Can any air leakage be detected at the Module Interlock Finger?	Yes	Replace the Air Module
	No	Air leak is at the Range Cylinder. Remove the Shift Bar Housing, and disassemble and inspect the Range Cylinder for worn or missing O-rings. Also inspect the Shift Bar Housing for cracks or porosity.

General Troubleshooting

General Troubleshooting Chart

The chart on the following pages contains some of the most common problems that may occur with this Transmission along with the most common causes and solutions:

Complaint	Cause	Corrective Action
Noise - Growl/Rumble	Torsional Vibration. [Noise may be most pronounced when Transmission is in a "float" (low torque) condition. May also be confined to a particular vehicle speed.]	Check Driveline angles for proper U-joint working angles. Check Driveline for out of balance or damage. Check U-joints for proper phasing. Check Clutch Assembly for broken damper springs. Check for inadequate clutch disc damping.
	Transmission bearing or gear failure. [Noise may be most pronounced under hard pull or coast (high torque).]	Check Transmission Oil for excessive metal particles.
Noise - Growl / Rumble at Idle (Idle Gear Rattle)	Excess engine torsional vibration at idle.	Check for low engine RPM. Check for uneven engine cylinder performance. Check for proper clutch damper operation.
Noise - High Pitched Whine	Gear Noise. Isolate as to axle or transmission noise. If transmission, isolate to specific gear or gears.	Check for worn or defective shift lever isolator. Check for direct cab or bracket contact with transmission ("grounding"). Check for proper driveline u-joint working angles. Check for damaged or worn gearing.

General Troubleshooting Chart (cont)

Complaint	Cause	What to do next
Hard Lever Shifting (Shift Lever is hard to gear into or out of gear)	Master Clutch dragging.	Check Master cClutch for proper disengagement. Check Master Clutch for proper adjustment (both release bearing travel and Clutch Brake height).
	Shift linkage problem. (Remote shifter)	Check Shift Linkage or Cables for proper adjustment, binding, lubrication, or wear.
	Shift Bar Housing problem.	Check Shift Bar Housing components for binding, wear, or damage.
	Transmission Mainshaft problem.	Check mainshaft for twist. Check Sliding Clutches for binding, damage, or excessive wear.
	Driver technique.	Driver not familiar or skilled with proper double-clutching technique. Driver contacting the Clutch Brake during shifts.
Shift Lever Jumpout (Shift Lever comes out of gear on rough roads)	Loose or worn engine mounts.	Check engine mounts for damage, wear, or excessive looseness.
	Shift Lever problem.	Check Shift Lever Floor Boot for binding or stretching. Check Shift Lever Isolator for excessive looseness or wear. Check for excessive offset or overhang on the Shift Lever. Check for extra equipment or extra weight added to Shift Lever or knob.
	Worn or broke Detent Spring or Mechanism.	Check for broken Detent Spring. Check for excessive wear on the Detent Key of Detent Plunger. Replace Detent Spring with heavier spring or add additional spring.

General Troubleshooting

General Troubleshooting Chart (cont)

Complaint	Cause	Corrective Action
Shift Lever Slipout (Transmission comes out of gear under torque)	Internal Transmission problem.	Check for excessively worn or damaged Sliding Clutches or Shift Yokes.
Transmission goes to Neutral (Shift lever doesn't move)	Low air pressure.	Check Air Regulator pressure.
	Internal Transmission problem.	Check for excessively worn or damaged Range Sliding Clutch or Yoke.
No Range Shift or Slow Range Shift (Also see Air System Troubleshooting)	Transmission Air System problem.	Preform Air System troubleshooting procedure. Check for proper air signal from Master Valve. Check Air Module Test Ports for proper air delivery.
	Range Cylinder problem.	Check for failed or damaged Range Piston, Piston Bar, or Cylinder. Check for failed or loose Range Piston Snap Ring.
	Range Yoke Assembly problem.	Check for failed or damaged Range Yoke. Check for failed or loose Range Yoke Snap Rings. Check for excessively long fastener installed in rear support hole. Check for binding between Range Yoke Bar and Range Alignment Lock Cover.
	Range Synchronizer problem.	Check for failed or damaged Range Synchronizer, Sliding Clutch, or Mating Gear. Check for excessively worn Range Synchronizer Friction Material.
Grinding Noise on Range Shift	Driver not preselecting Range Shift.	Instruct driver to preselect Range Shifts.
	Range Synchronizer worn or defective.	Check Range Synchronizer and mating parts for excessive wear or damage.

Air System Overview

The Range Shift Air System uses pressurized air to allow the operator to shift the Auxiliary Section between Low Range and High Range. The operator controls this shift with a switch on the Shift Knob.

The Range Shift Air System components are described below in figure 2-10, which shows the Transmission with the Air System components labeled.

Shift knob (Master Control Valve)

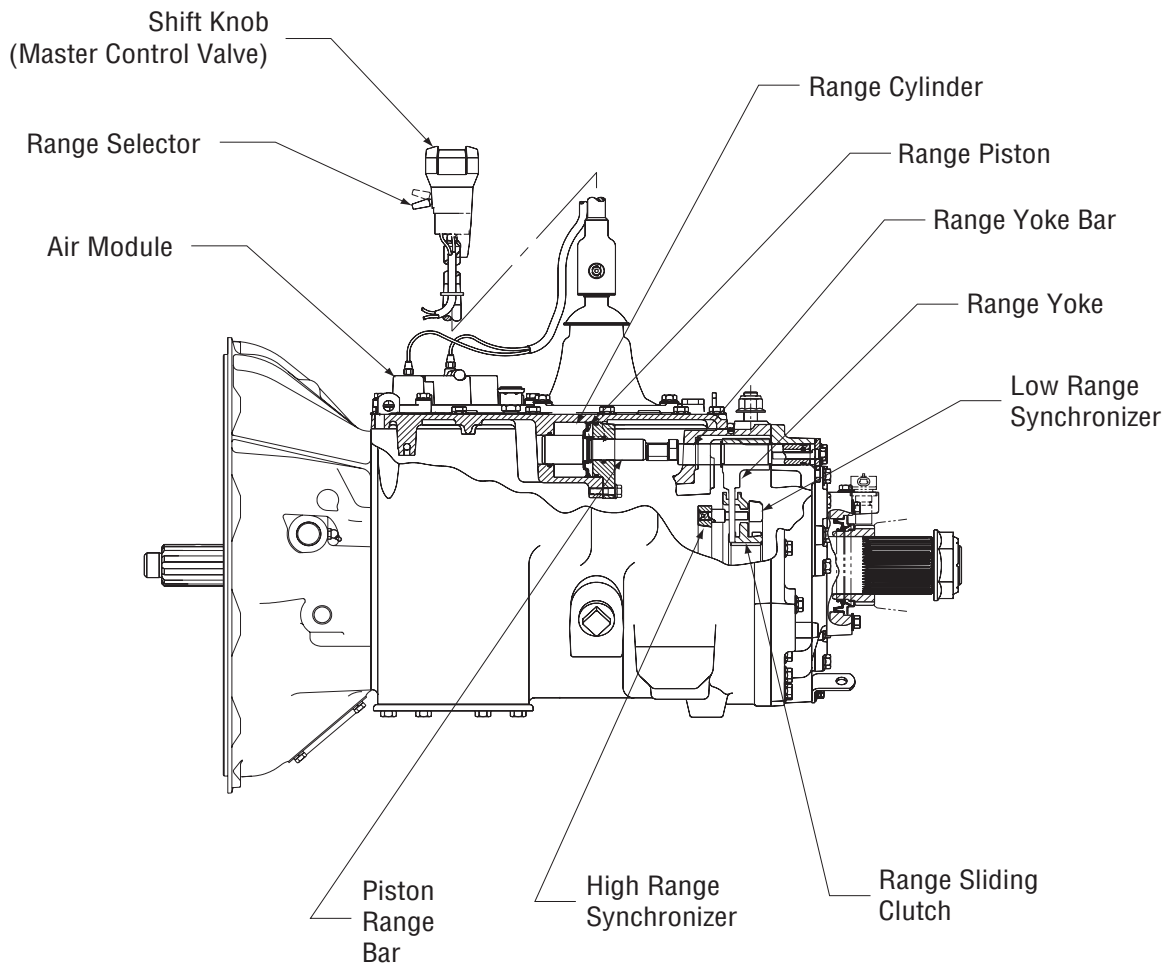
Located in the Shift Knob, the Master Control Valve is an operator controlled switch. When the Range Selector is in the down position, Low Range is selected. When the Range Selector is in the up position, High Range is selected.

Air Module

Located on the top of the Transmission, this module contains an Air Filter, and Air Pressure Regulator, a Spool Valve, and an Interlock Mechanism. Depending on the position on the Range Selector, the Air Module directs air flow to the Low Range or High Range side of the Range Piston to complete a Range Shift.

The Range Shift Interlock feature of the Air Module allows the driver to preselect Range Shifts (place the Range Selector in the up or down position) while the Transmission is still in gear. The System Interlock will prevent the Range Shift until the Shift Lever and Transmission are in Neutral. The Range Shift will complete as the Shift Lever passes through Neutral, This feature prevents Transmission damage and smooths shifting. The Air Module Interlock operation is described in greater detail later in this section.

Figure 2-10 Transmission Air System Components



Air System

Range Cylinder and Piston

The Range Cylinder is located on the underside of the Shift Bar Housing. It contains the Range Piston and Bar Assembly. The Range Piston and Bar Assembly is connected with the Range Yoke Bar to move the Range Sliding Clutch back and forth. Depending on the position of the Range Selector, pressurized air is supplied to the front or back of the Range Piston to shift the Auxiliary Section into Low or High Range.

Range Bar and Yoke

Located in the Transmission Auxiliary Section, the Range Yoke Bar and Yoke move the Range Sliding Clutch to Low or High Range. The Range Yoke Bar extends into the Main Case where it is connected with the Range Piston Bar. The Range Yoke is positioned in the slot of the Range Sliding Clutch. When the Range Cylinder moves the Range Bar and Yoke, the Yoke moves the Sliding Clutch into the High or Low Range position.

Range Sliding Clutch and Synchronizer

The Range Sliding Clutch and Synchronizer are located on the Auxiliary Mainshaft (Output Shaft). The Range Sliding Clutch connects the Auxiliary Mainshaft to either the Auxiliary Drive Gear (in High Range) or the Auxiliary Reduction Gear (in Low Range). The Synchronizer allows the Sliding Clutch to move into gear without grinding.

Air Module Part Nomenclature

Figure 2-11 shows the Air Module with its components labeled. Refer to this figure as necessary while reading about the Air System.

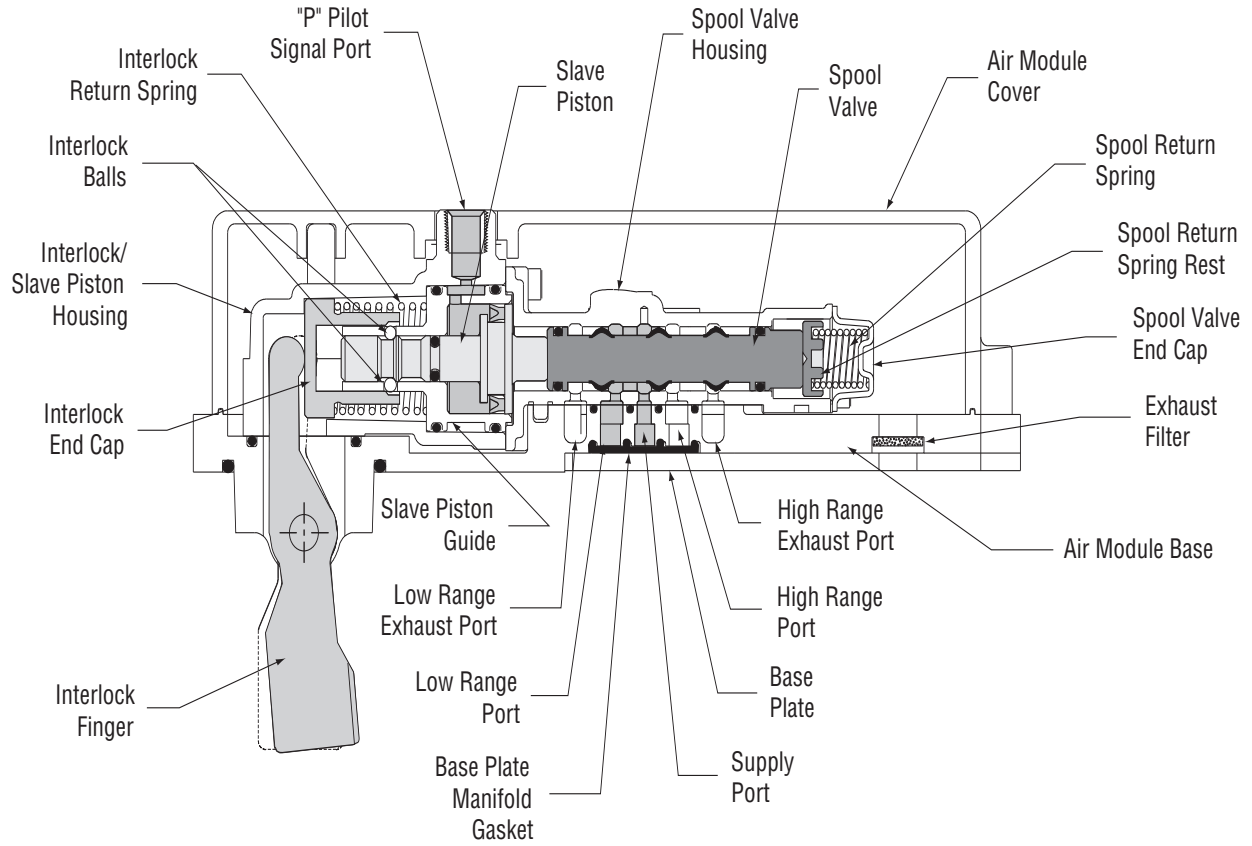


Figure 2-11 Air Module Part Nomenclature

Air System

Air Module Interlock

Purpose

The Air Module Interlock allows the range to shift only when the Transmission is in Neutral. The Interlock prevents a Range Shift when a front section gear is engaged.

This feature allows the driver to preselect the Range Shift (move the Range Selector on the Shift Knob) while a front section gear is still engaged. The Range Shift will start and finish as the Shift Lever is moved through Neutral. The Range Shift must occur with the front section in Neutral to prevent damage to the Range Synchronizers.

Interlock Construction

The Air Module Interlock Finger extends out of the bottom of the Air Module and through a hole in the Shift Bar Housing where it contacts the Shift Shaft. The Interlock Return Spring continuously forces the Interlock Finger against the Shift Shaft.

The Shift Shaft contains a groove that corresponds with the Neutral shift position. The groove provides clearance so that the Interlock Finger and Interlock End Cap can move to the relaxed position when the Transmission front section is in Neutral.

Four Interlock Balls are contained in four separate holes in the Slave Piston Guide. The Slave Piston end of the Interlock End Cap contains a relief that provides clearance for the Interlock Balls.

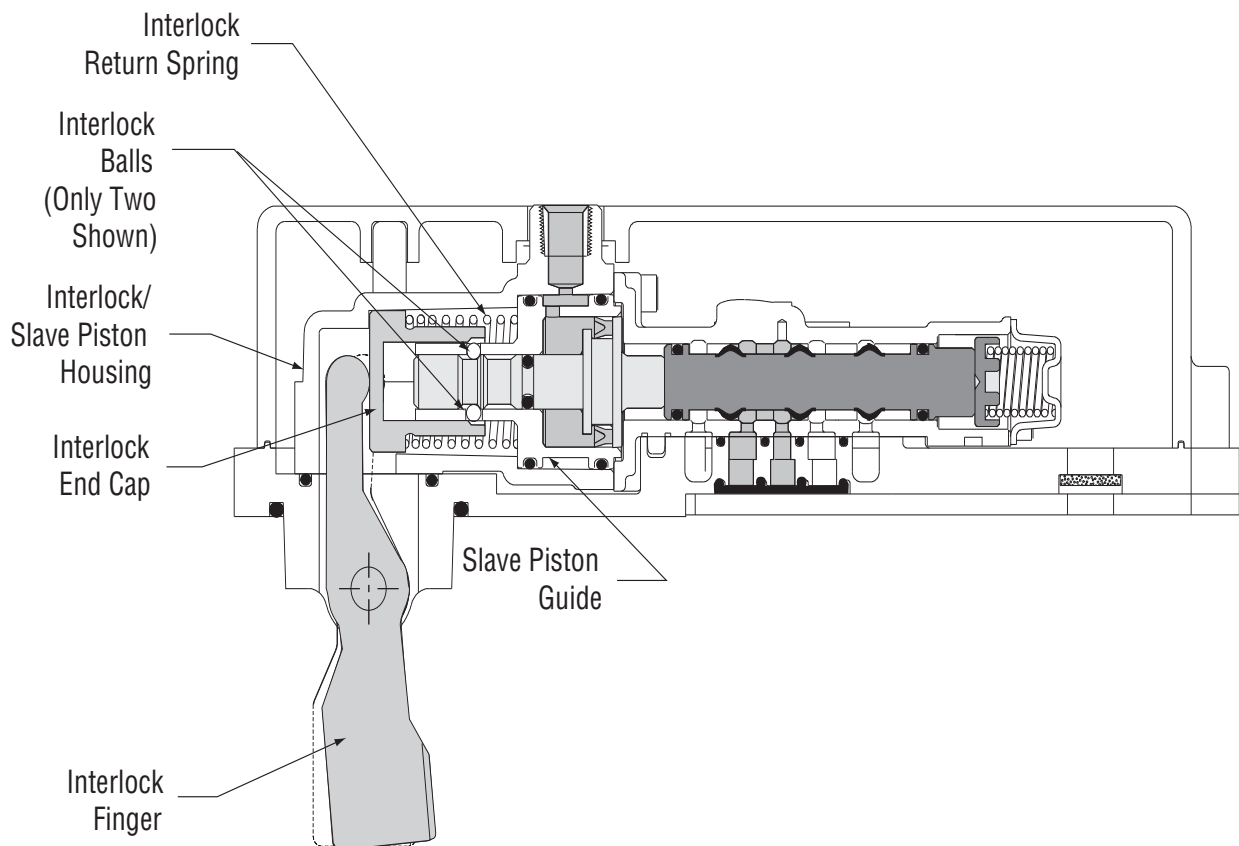


Figure 2-12 Air Module Interlock Components

Interlock Operation

When the Transmission front section is shifted into gear, the Shift Shaft is moved either forward or rearward. When the Shift Shaft moves, the Interlock Finger rides up a ramp and out of the Shift Shaft Neutral Notch. The Interlock Finger pivots into the Air Module and forces the Interlock End Cap to the right, compressing the Interlock Return Spring. The four Interlock Balls are forced down into their respective holes. In this position, the Interlock Balls drop into a groove on the Slave Piston and prevent fore and aft movement of the Slave Piston. This effectively locks the Slave Piston and Spool Valve in position. Figure 2-13 shows the positioning of the Air Module Interlock components when the Shift Lever is in gear.

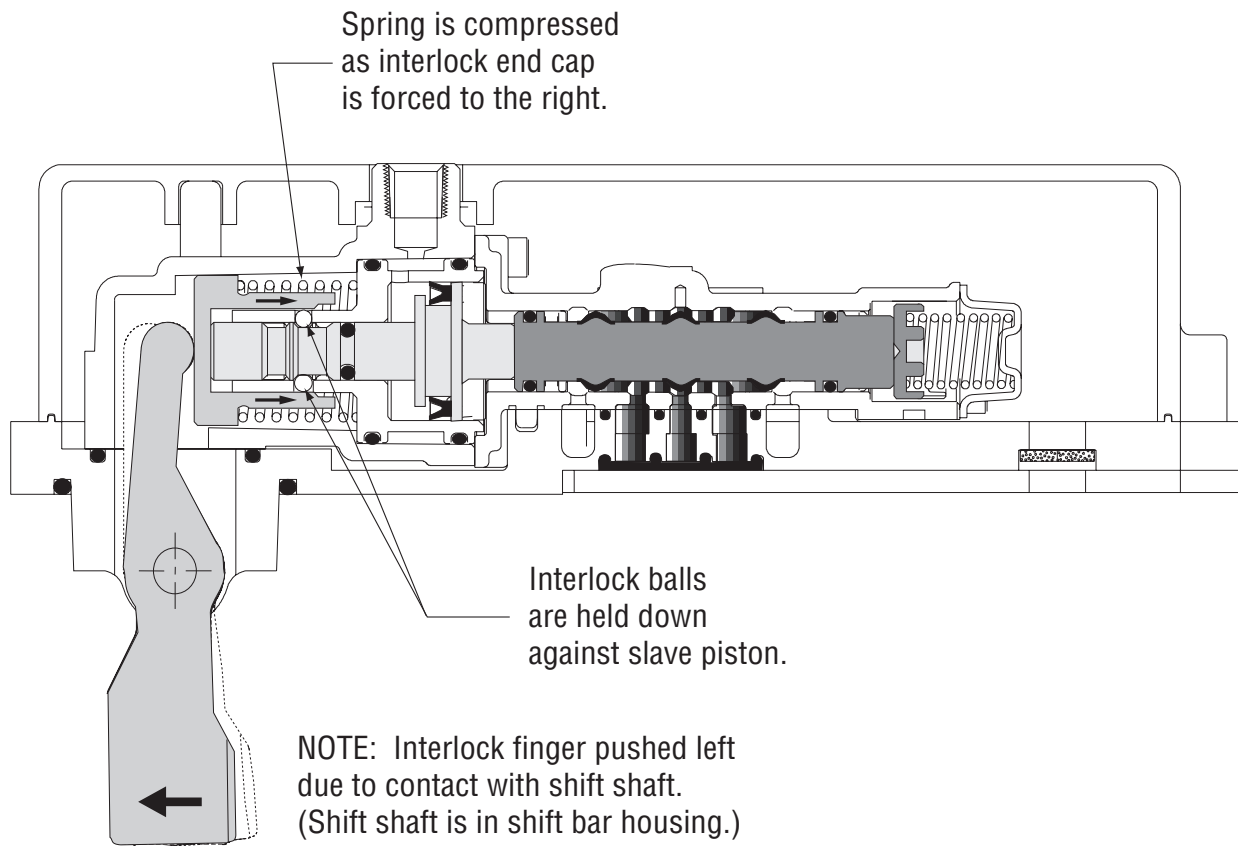


Figure 2-13 Interlock with Shift Lever in Gear

Air System

When the Transmission is shifted to Neutral, the Interlock Return Spring forces the Interlock End Cap to the left as the Interlock Finger pivots into the Neutral Notch on the Shift Shaft. The Interlock Balls can now move up out of the groove on the Slave Piston and the Slave Piston can move freely. Figure 2-14 shows the positioning of the Air Module Interlock components when the Shift Lever is in Neutral.

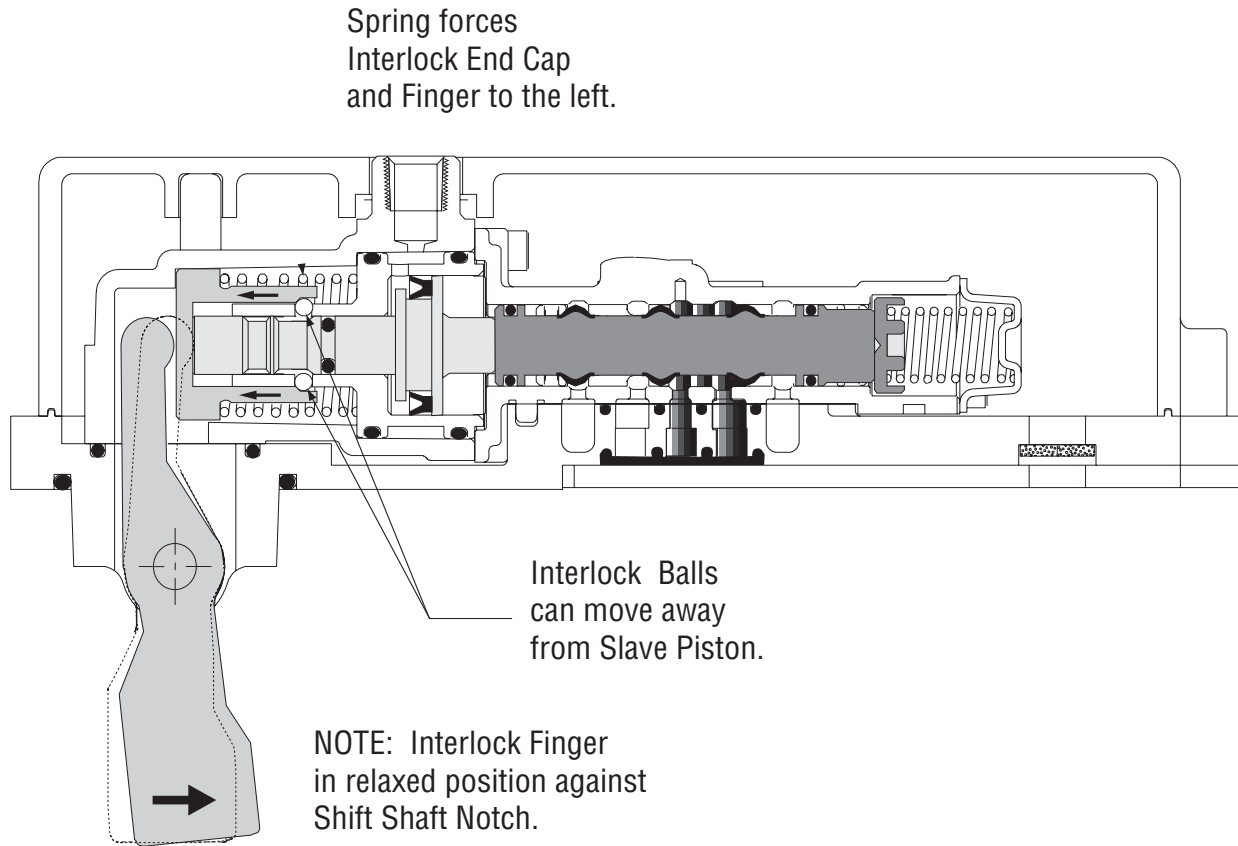


Figure 2-14 Interlock with Shift Lever in Neutral

Air System Air Flow

Supply Air Flow

Vehicle air is supplied to the Air Module Inlet at the vehicle air pressure of 90–130 PSI (620–896 kPa). The air passes through the Inlet Filter inside the Air Module and goes to a Pressure Regulator, which regulates the air pressure to 80 PSI (551 kPa). Through internal passages of the Air Module, the regulated air is available at the “S” supply port on the Air Module Cover and the supply port on the Shift Knob Master Valve through 1/8” or 5/32” plastic air line. Figure 2-14 shows the supply air flow through the Air Module.

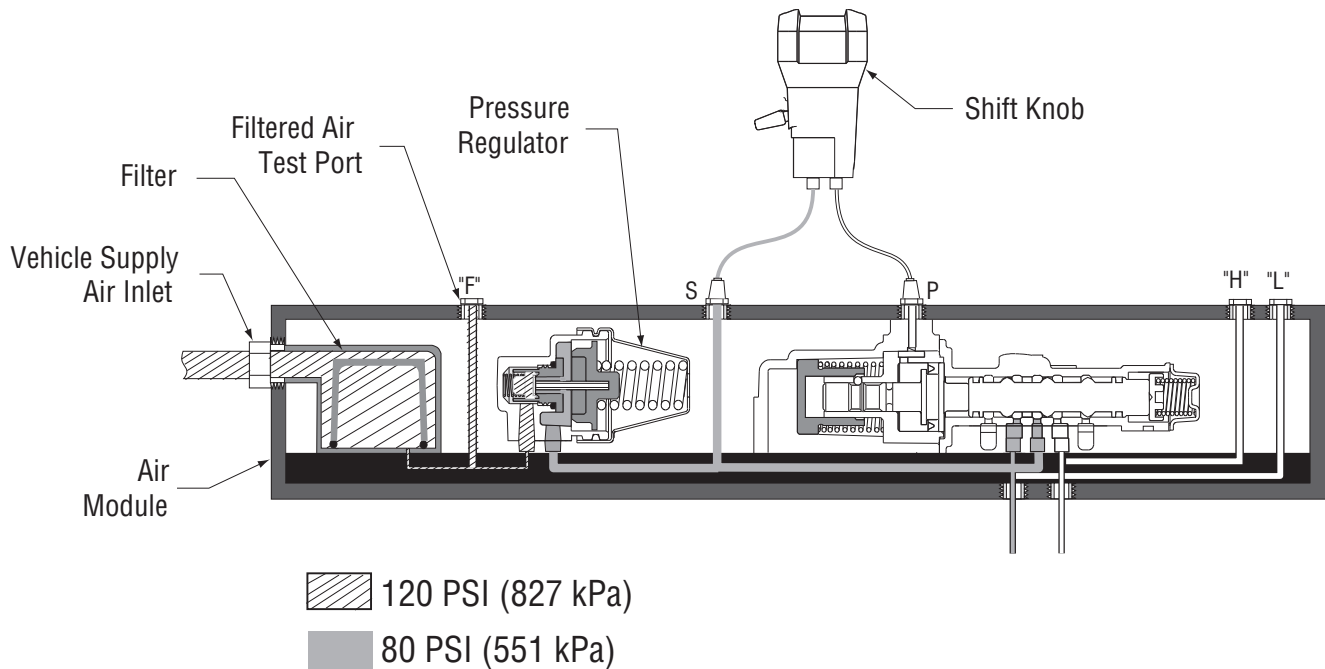


Figure 2-14 Supply Air Flow

Air System

Low Range Air Flow

When Low Range is selected, supply air will flow through the Air Module Spool Valve to the Low Range Port. Air flows through the Low Range passages in the Air Module and exits the Module near the rear attaching capscrew. After exiting the Air Module, the air flows into a passage in the Shift Bar Housing and is supplied to the front side of the Range Cylinder Piston. The Range Piston, Yoke, and Sliding Clutch move rearward to shift the Auxiliary into Low Range. Figure 2-15 shows the Low Range air flow through the Air Module.

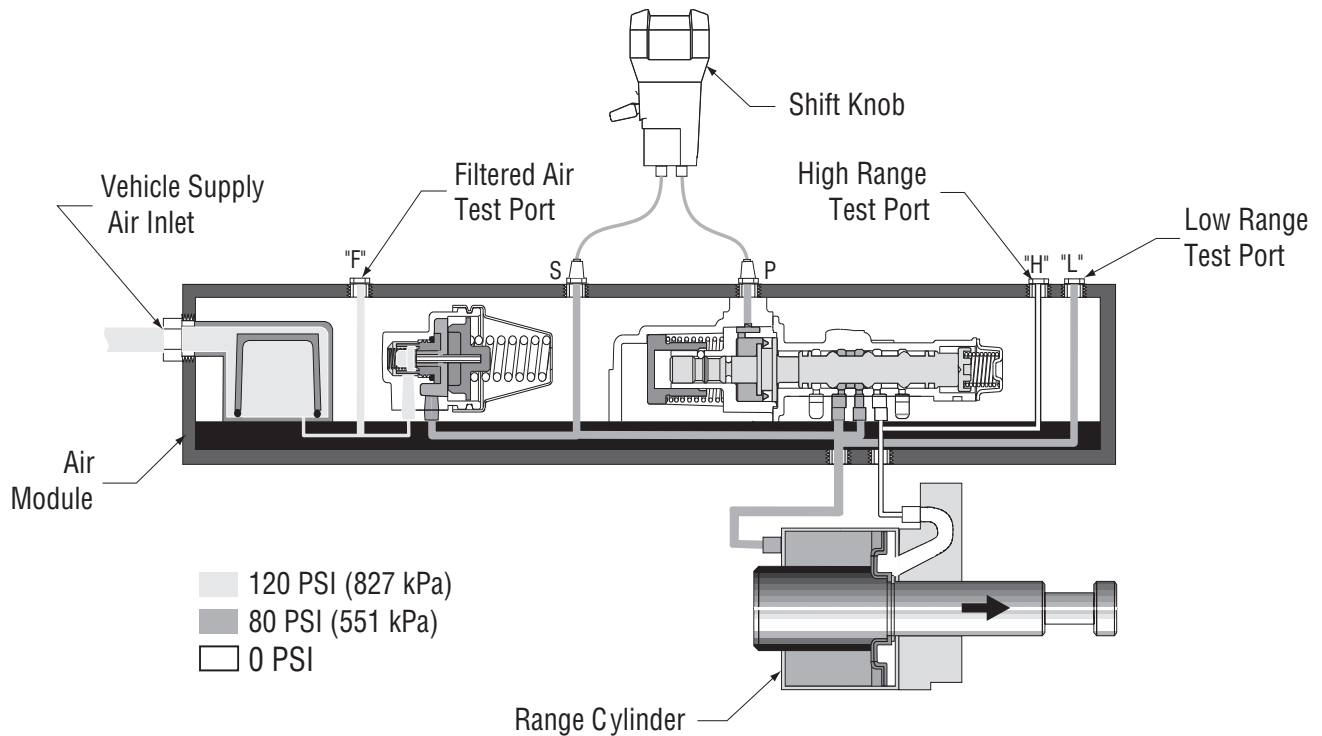


Figure 2-15 Low Range Air Flow

High Range Air Flow

When High Range is selected, supply air will flow through the Air Module Spool Valve to the High Range Port. Air flows through the High Range passages in the Air Module and exits the Module near the rear attaching capscrews. After exiting the Air Module, the air flows into a passage in the Shift Bar Housing and is supplied to the back side of the Range Cylinder Piston. The Range Piston, Yoke, and Sliding Clutch move forward to shift the Auxiliary into High Range. Figure 2-16 shows the High Range air flow through the Air Module.

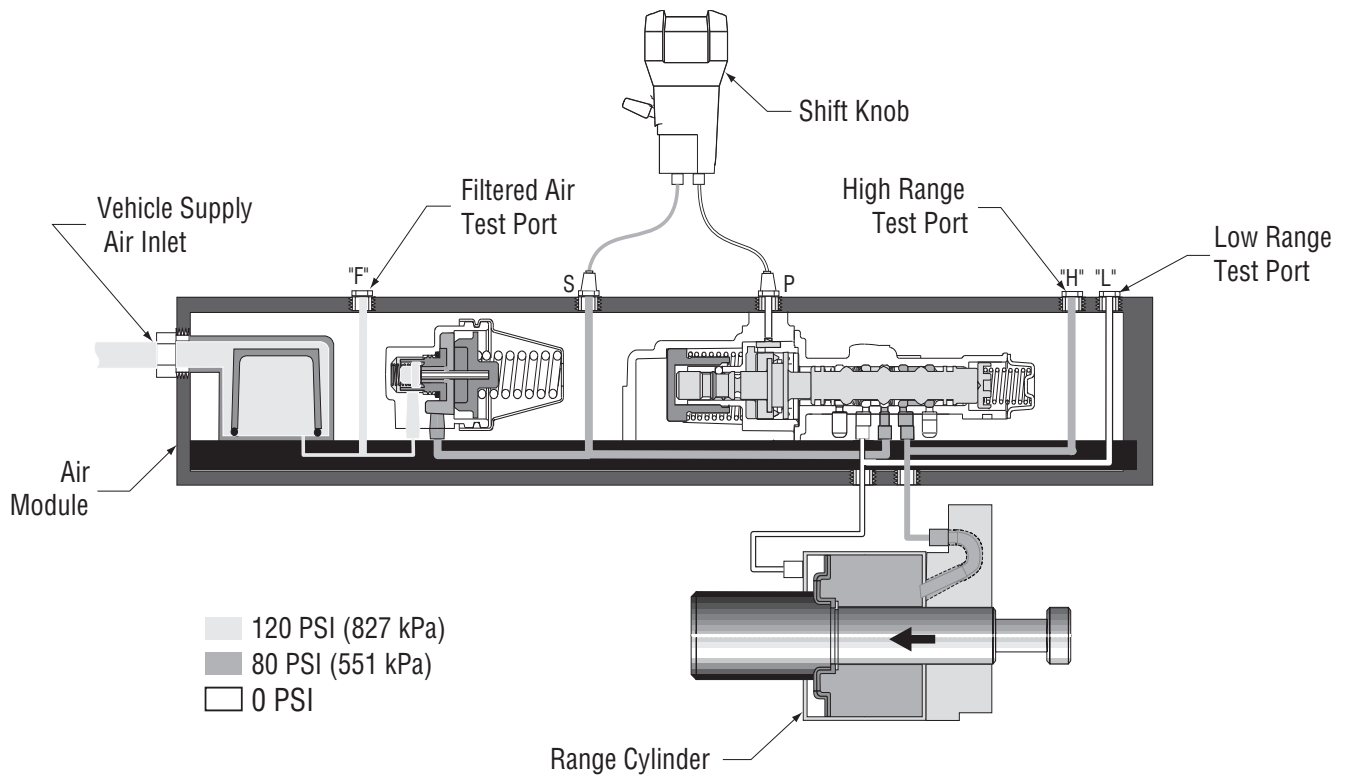


Figure 2-16 High Range Air Flow

Air System

Air Module Operation

Low Range - Shift Lever in Neutral

When the Range Lever on the Shift Knob is placed in the down (Low Range) position, air flows through the Master Control Valve and back to the Air Module through 5/32" air line. This signal air will enter the Air Module at the "P" port where it will enter the Slave Piston Chamber. With the Shift Lever in Neutral, the air pressure will move the Slave Piston and Spool Valve to the full right position as shown in figure 2-17, and the Spool Return Spring will be compressed. At this point, the Supply Port will be connected with the Low Range Port, and the High Range Port will be exhausted. Pressurized air will move the Range Piston, Bars, Range Yoke, and Range Sliding Clutch to the Low Range position.

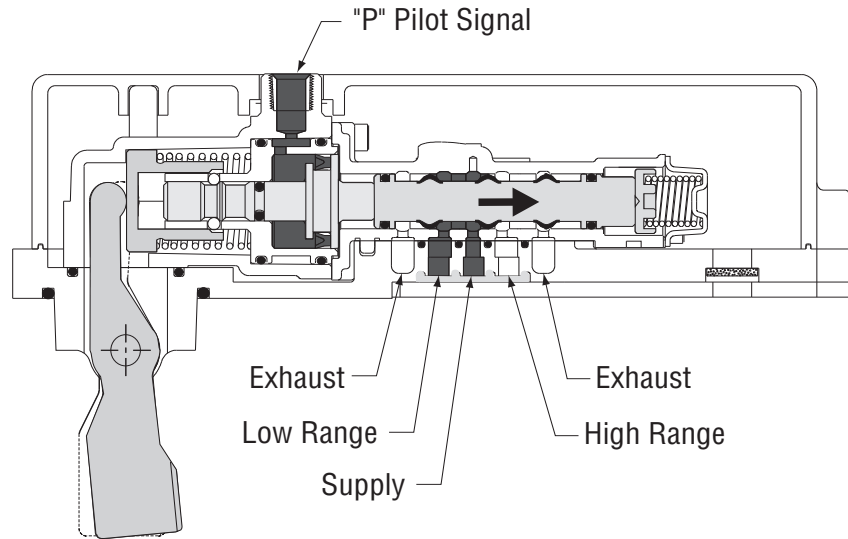


Figure 2-17 Air Flow for Low Range with Shift Lever in Neutral

Low Range - Shift Lever in Gear

When the Transmission is shifted into gear, the Interlock Mechanism will shift to the right as shown in Figure 2-18, locking the Slave Piston and Spool Valve into position. Air flow through the Air Module is not affected.

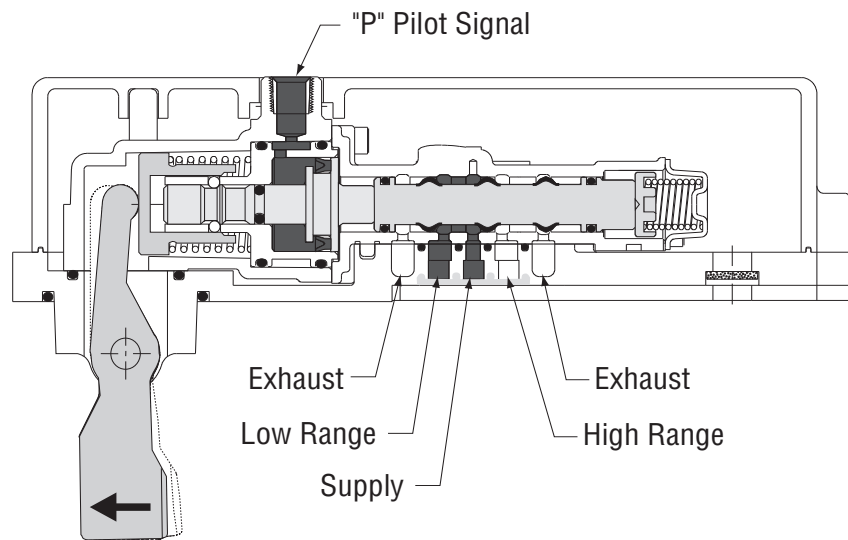


Figure 2-18 Air Flow for Low Range with Shift Lever in Gear

Low Range - Shift Lever in Gear, High Range Preselected

With the Shift Lever still in gear, the driver will preselect High Range by switching the Range Lever on the Shift Knob to the up position. When the Range Lever is in the up position, the air supply is shut off to the "P" port. The "P" air line will be exhausted at the Shift Knob. The Spool Valve and Slave Piston will not move due to the Interlock Mechanism and the Transmission being in gear. Figure 2-19 shows the air flow with High Range preselected.

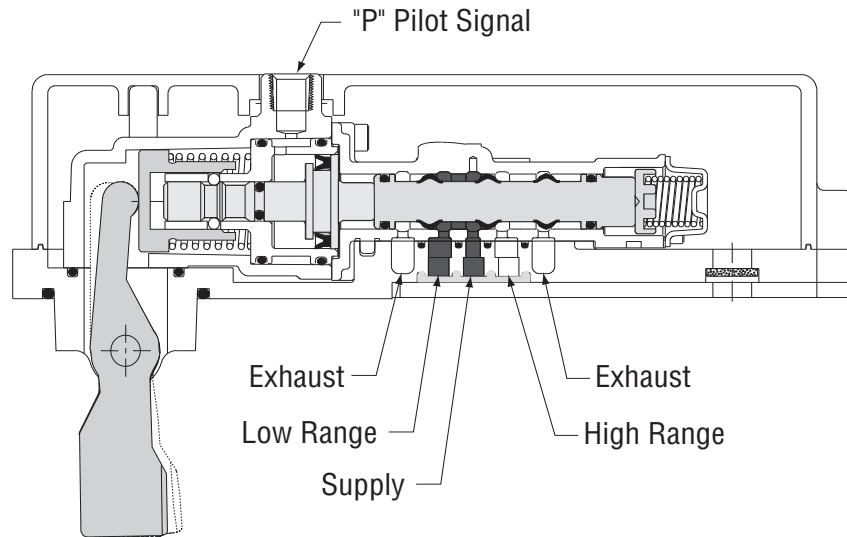


Figure 2-19 Air Flow for Low Range with high Range Preselected

High Range - Shift Lever in Neutral

With High Range preselected, the Interlock Mechanism will release as soon as the Shift Lever is moved to Neutral. The Spool Return Spring will move the Spool Valve and the Slave Piston to the full left position. Supply air will be provided to the High Range Port. The Low Range Port will be exhausted. Pressurized air will move the Range Piston, Bars, Range Yoke, and Range Sliding Clutch to the High Range position. Figure 2-20 shows the air flow with High Range selected and the Shift Lever in Neutral.

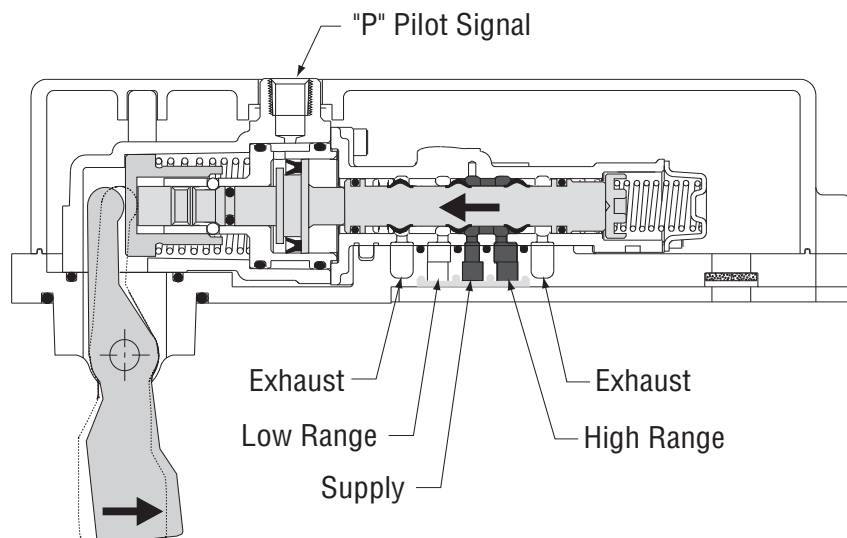


Figure 2-20 Air Flow for High Range with Shift Lever in Neutral

Air System

High Range - Shift Lever in Gear

When the Shift Lever is moved into gear, the Interlock Finger moves the Interlock End Cap to the right, which activates the Interlock Mechanism. It also moves the Slave Piston and Spool Valve partially to the right. The partial travel of the Spool Valve exposes the Low Range Port to pressurized air from the Supply Port. Supply air is available to both the Low and High Range Ports, and both Exhaust Ports are sealed. Equal air pressure is available on both sides of the Range Cylinder Piston. Because the High Range side of the Piston has more available surface area than the Low Range side, the range remains in High Range. Figure 2-21 shows the air flow with High Range selected and the Shift Lever in gear.

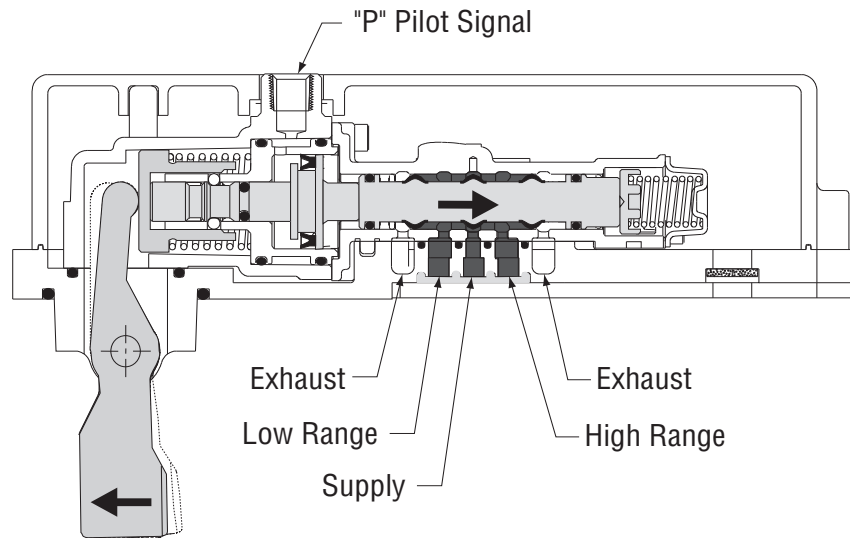


Figure 2-21 Air Flow for High Range with Shift Lever in Gear

Air System Nomenclature

Figures 4-1 through 4-3 below show the Air Module, Shift Knob, and Range Alignment Lock Cover (earlier models) with their components labeled. These are the primary components used during troubleshooting. If necessary, refer to these figures while troubleshooting the Air System.

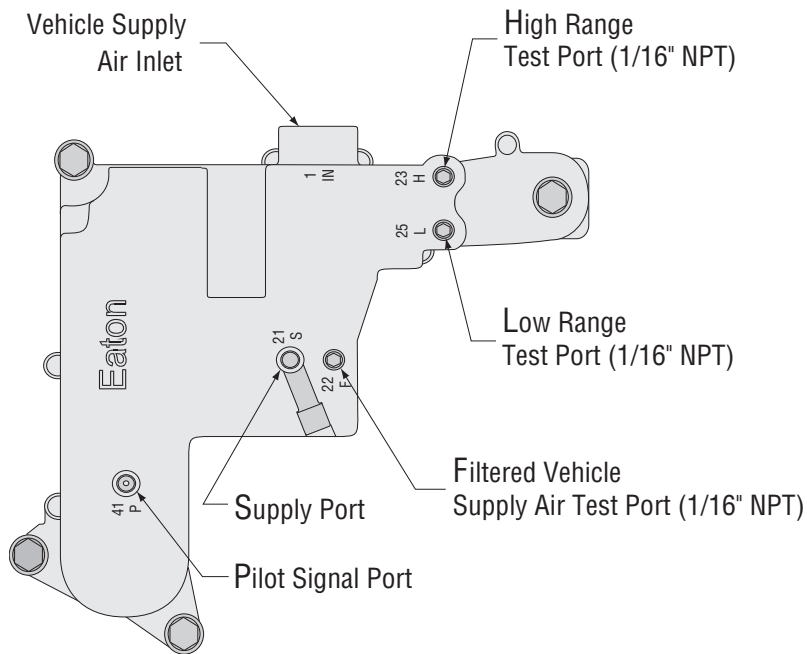


Figure 4-1 Air Module Ports

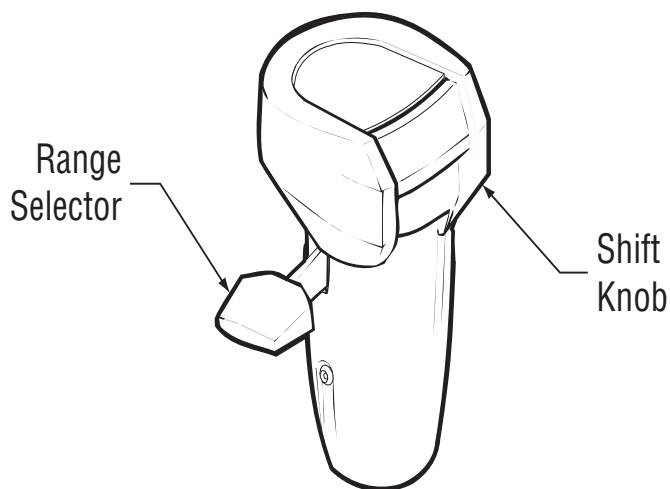


Figure 4-2 Shift Knob Components

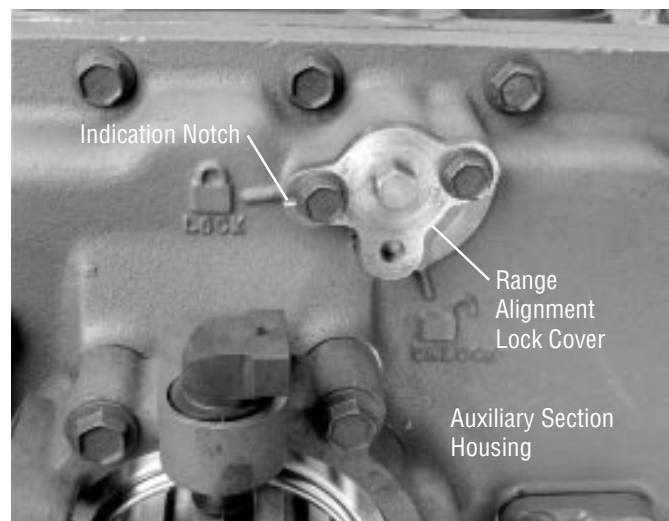
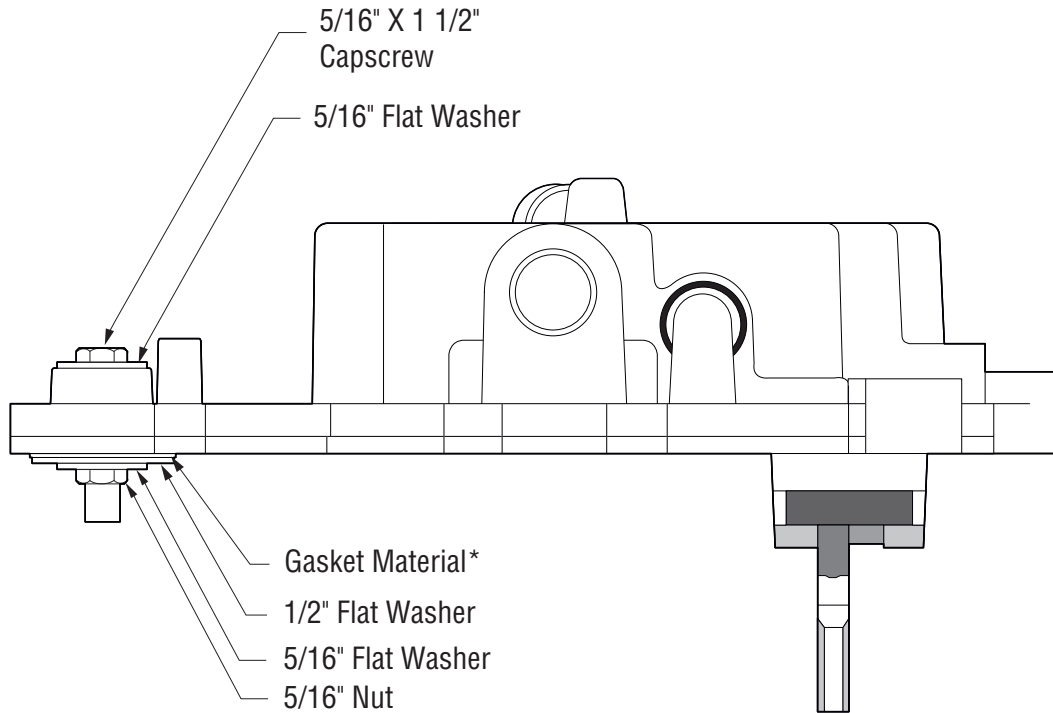


Figure 4-3 Range Alignment Lock Cover

Air System

Figure 4-4 below shows how to isolate the Air Module. If necessary, refer to this figure when isolating the Air Module.



* Gasket material must be used to seal the two holes in the bottom of Air Module.

Figure 4-4 Air Module Isolation

The table below shows which air lines connect to which ports on the Shift Knob and Air Module. If necessary, refer to this table when connecting the air lines.

Port on Knob	Port on Air Module	Air Line Color (Typical)
S	S	Red
P	P	Black

Timing Procedures

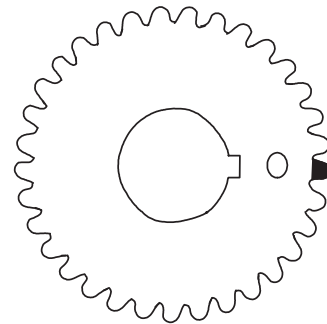
Special Instructions

It is essential that both Countershaft Assemblies of the Front and Auxiliary Sections are “timed.” This assures proper tooth contact is made between Mainshaft Gears seeking to center on the Mainshaft during torque transfer and mating Countershaft Gears that distribute the load evenly. If not properly timed, serious damage to the Transmission is likely to result from unequal tooth contact causing the Mainshaft Gears to climb out of equilibrium.

Timing is a simple procedure of marking the appropriate teeth of a gear set prior to installation and placing them in proper mesh while in the Transmission. In the Front Section, it is necessary to time only the Drive Gear Set. And depending on the model, only the LO Range, Deep Reduction, or Splitter Gear Set is timed in the Auxiliary Section.

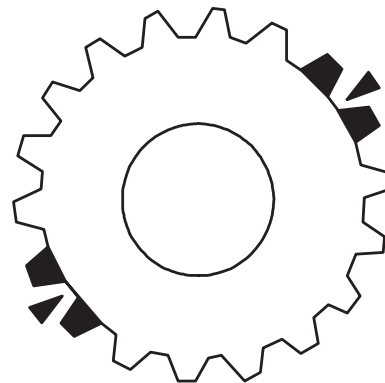
Procedure - Front Section

1. **Marking Countershaft Drive Gear teeth:** Prior to placing each Countershaft Assembly into the Case, clearly mark the tooth located directly over the Drive Gear Keyway as shown. This tooth is stamped with an “0” to aid identification.



2. **Marking Main Drive Gear teeth:** Mark any two adjacent teeth on the Main Drive Gear.

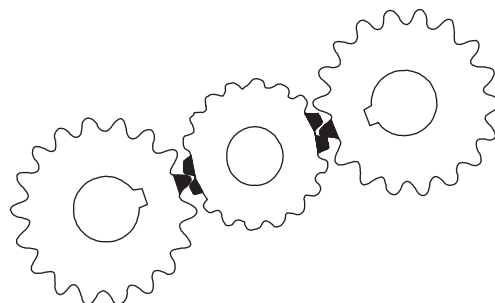
Mark the two adjacent teeth located directly opposite the first set marked on the main drive gear. As shown to the left, there should be an equal number of unmarked gear teeth on each side between the marked sets.



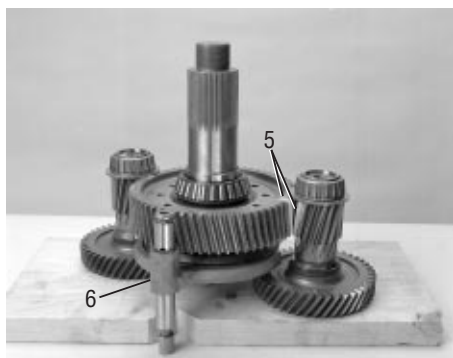
3. **Meshing marked Countershaft Drive Gear teeth with marked Main Drive Gear teeth:** After placing the Mainshaft Assembly into the Case, the Countershaft Bearings are installed to complete installation of the Countershaft Assemblies.

When installing the bearings on the Left Countershaft, mesh the Countershaft Drive Gear marked tooth with either set of Main Drive Gear two marked teeth.

Repeat the procedure when installing the bearings on the Right Countershaft, make use of the remaining set of Main Drive Gear two marked teeth to time Assembly.



Timing



Procedure - Auxiliary Section

4. **Marking the helical Auxiliary Countershafts:** Mark any two teeth on the LO Range Gear. Then mark two teeth located directly opposite the first marked.

Prior to placing each Auxiliary Countershaft Assembly into housing, mark the tooth on each Auxiliary Countershaft Assembly LO Range Gear stamped with the two "0"s. Repeat the procedure on each Auxiliary Countershaft Reduction Gear.

Follow the assembly procedures in the "Auxiliary Section".

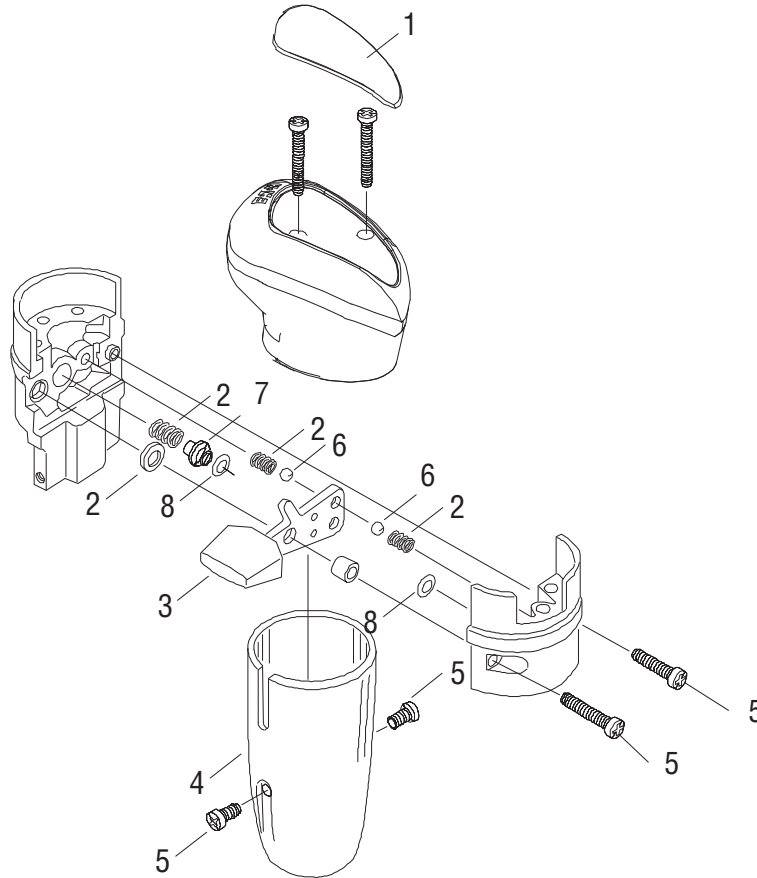
How to Disassemble the Roadranger Valve

Special Instructions

None

Special Tools

- Typical service tools



Component Nomenclature and Auxiliary Countershaft Sectional View

- | | | |
|--------------|---------------|-------------|
| 1. Medallion | 4. Cover | 7. Retainer |
| 2. Spring | 5. Screw | 8. O-Ring |
| 3. Lever | 6. Ball 5/32" | |

In-Vehicle Service Procedures

Procedure -

1. Remove the two screws holding the bottom cover to the valve and slide the cover down the Gearshift Lever to expose air line fittings. Disconnect the air lines.
2. Loosen the Jam Nut and turn the Roadranger Valve from the Gear Shift Lever.
3. Pry the Medallion from the recess in the Top Cover.
4. Turn out the two screws to remove the Top Cover from the Valve Housing.
5. Turn out the two screws in the side of the Valve Housing to separate the Housing.
6. Remove the Range Selection Lever from the Left Housing along with the Position Balls and Guide.
7. If necessary, remove the spring and O-ring from the bores in the Left Housing.
8. If necessary, remove the springs, O-ring and sleeve from the bores in the Right Housing.

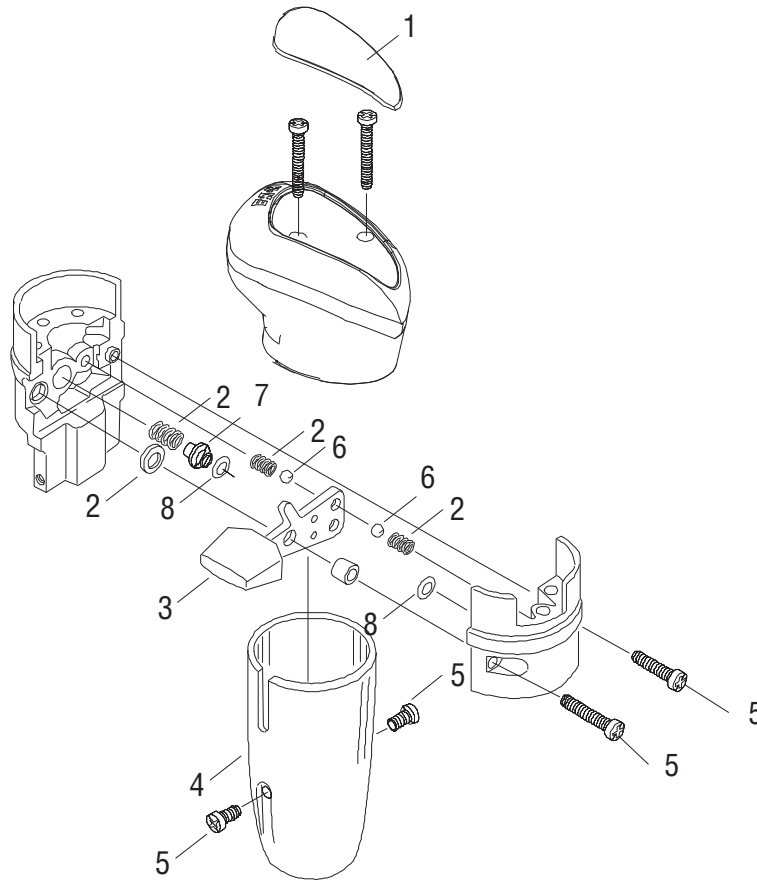
How to Assemble the Roadranger Valve

Special Instructions

None

Special Tools

- Typical service tools



Component Nomenclature and Auxiliary Countershaft Sectional View

- | | | |
|--------------|---------------|-------------|
| 1. Medallion | 4. Cover | 7. Retainer |
| 2. Spring | 5. Screw | 8. O-Ring |
| 3. Lever | 6. Ball 5/32" | |

Procedure -

1. Refer to the drawing for proper reassembly. Use a very small amount of silicone lubricant on the O-rings to avoid clogging the ports. A small amount of grease on the Position Springs and Balls will help to hold them in place during reassembly.
2. Reinstall Roadranger Valve on Gear Shift Lever and tighten the Jam Nut.
3. Attach the air lines and reinstall the Bottom Cover.

In-Vehicle Service Procedures

How to Remove Compression Type Fittings

Special Instructions

⚠ WARNING

A sudden release of air pressure can cause personal injury or damage to equipment. To prevent injury or equipment damage, exhaust the vehicle air tanks.

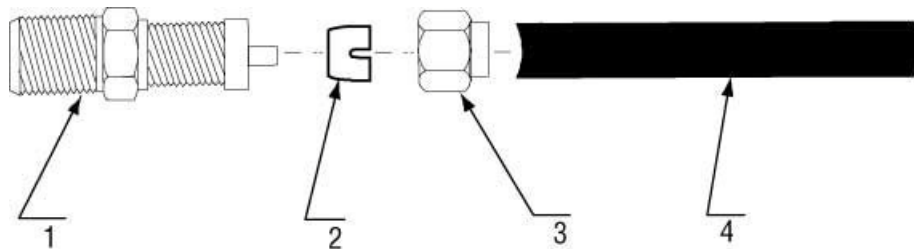
⚠ CAUTION

Small air lines are available in 1/8" or 5/32" sizes. Make sure 1/8" air lines are used with 1/8" fittings and 5/32" air lines are used with 5/32" fittings. Mixing sizes can cause air leaks or damage to fittings.

Before removing the air lines and hoses, label or record their location.

Special Tools

- Typical service tools



1. Connector
2. Collet
3. Nut
4. Air Line

Procedure -

1. Exhaust the vehicle air tanks before continuing.
2. Loosen the Nut on the fitting, and slide it back out of the way.
3. Pull the Air Line and attached Collet from the fitting.
4. Inspect the fitting, Air Line, Collet, and Nut for damage or wear. Replace as necessary.

How to Install Compression Type Fittings

Special Instructions

⚠ WARNING

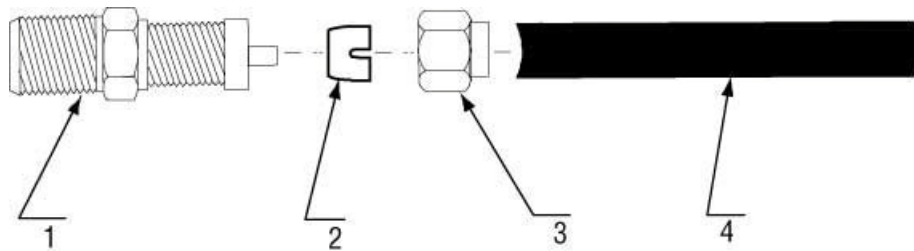
A sudden release of air pressure can cause personal injury or damage to equipment. To prevent injury or equipment damage, exhaust the Vehicle Air Tanks

⚠ CAUTION

Small air lines are available in 1/8" or 5/32" sizes. Make sure 1/8" air lines are used with 1/8" fittings and 5/32" air lines are used with 5/32" fittings. Mixing sizes can cause air leaks or damage to fittings.

Special Tools

- Typical service tools



1. Connector
2. Collet
3. Nut
4. Air Line

Procedure -

1. Check the threads of the fitting for thread sealant. If no sealant is present, apply Eaton® Fuller® Thread Sealant #71205 or equivalent.
2. Install the fitting.
Note: Do not overtighten the nut. Overtightening can compress the Collet too much and cause an air line restriction.
3. Install the Air Line, Collet, and Nut. If installing a new fitting, place the Collet in the fitting and loosely install the Nut. (Do not tighten the Nut yet.) Insert the Air Line through the Nut and into the Collet. Tighten the Nut as usual.
4. Enable the Vehicle Air System. Allow the air tanks to pressurize, and check for leaks. Repair as necessary.

In-Vehicle Service Procedures

How to Remove Push-To-Connect Type Fittings

Special Instructions

⚠ WARNING

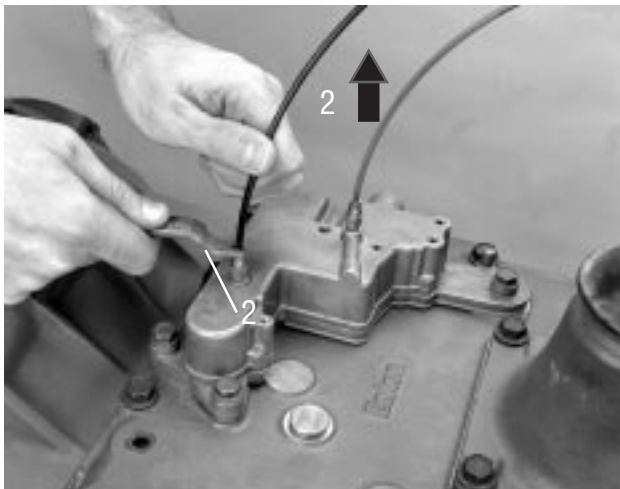
A sudden release of air pressure can injure you or damage equipment. To prevent injury or equipment damage, exhaust the Vehicle Air Tanks.

⚠ CAUTION

Make sure only 5/32" air lines are used with push-to-connect fittings. Using sizes other than 5/32" can cause air leaks or damage to fittings.

Special Tools

- Release Tool - 4301157



Procedure -

1. Exhaust the Vehicle Air Tanks before continuing.
2. Use the Air Line Release Tool to press the Release Sleeve down while pulling the Air Line from the fitting as shown at right.
3. Inspect the fitting for damage or wear. Remove and replace as necessary.

How to Install Push-To-Connect Type Fittings

Special Instructions

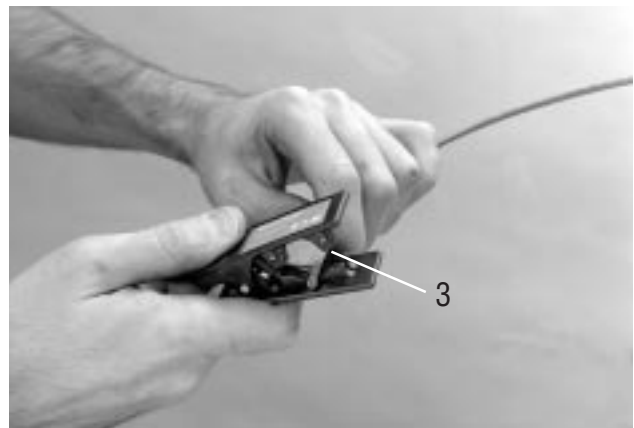
None

Special Tools

- Cutting Tool - 4301158

Procedure -

1. Check the threads of the fitting for thread sealant. If no sealant is present, apply Eaton®Fuller® Thread Sealant #71205 or equivalent.
2. Install the fitting.
3. Inspect Air Line ends for burrs or deformed areas, trim as needed with Air Line Cutter Tool. The cut must be smooth and square. If the tubing end is deformed or burred, the internal O-ring in the fitting will be damaged when the Air Line is inserted.
4. Push the Air Line into the fitting. It should insert approximately 3/4". If it does not insert far enough or is difficult to insert, the fitting may be damaged and should be replaced. After inserting, give the Air Line a slight tug to make sure the line stays in place. If line does not stay in place, replace the fitting.
5. Enable the Vehicle Air System. Allow the air tanks to pressurize, and check for leaks.



In-Vehicle Service Procedures

How to Remove a Roadranger Valve

Special Instructions

⚠ WARNING

A sudden release of air pressure can injure you or damage equipment. To prevent injury or equipment damage, the Vehicle Air Tanks must be exhausted.

Special Tools

- Typical service tools



Procedure -

1. From the Roadranger Valve Cover, remove the two (2) Mounting Screws.
2. Slide the Roadranger Valve Cover down.



3. From the air fittings, disconnect the Air Lines.



4. From the Roadranger base, loosen the Jam Nut. Rotate the Roadranger Valve until the valve is removed.
5. Inspect the parts: Nut, Valve Cover, Air Lines, Sheathing, and O-rings from the Lever Shaft.
6. In the Roadranger Valve, inspect the air fittings, and remove if damaged.

How to Install a Roadranger Valve

Special Instructions

To position the Roadranger Valve, the Range Lever must be to the front or the Splitter Button to the left when facing forward.

Special Tools

- Typical service tools

Procedure -

1. Make sure the Nut, Valve Cover, Air Lines, Sheathing, and O-rings are in position on the Lever Shaft.
2. If previously removed, replace the Air Fittings and torque to 84–120 lb. in.
3. Place the Roadranger Valve on the Lever Shaft and rotate so the Range Selector faces the vehicle front.
4. From the Roadranger Valve bottom, tighten the Jam Nut to 35–45 lb. ft. of torque.



5. Connect the Air Lines to the Air Fittings.



6. Slide the Cover into position on the Roadranger Valve.
7. Install the Roadranger Valve Cover Mounting Screws.

Note: Make sure the Air Lines are seated fully.



In-Vehicle Service Procedures

How to Remove the Gear Shift Lever/Remote Shift Control

Special Instructions

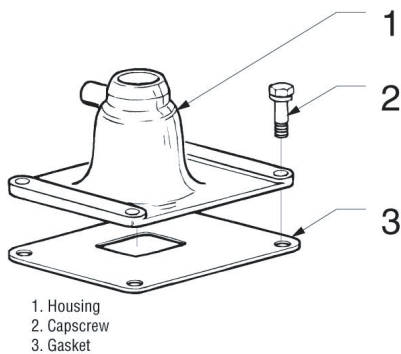
The air lines must be disconnected from the Transmission or from the Roadranger Valve.

Different Detent Springs are available to increase or decrease shifting effort. Note and record specific locations for specific springs. In some cases, a stiffer spring is installed in the top rail position.

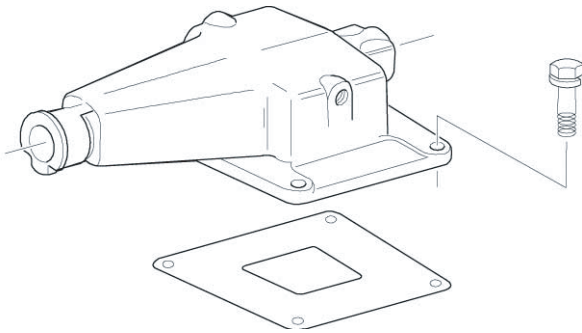
Remote Control Housings are removed the same way as Gear Shift Levers.

Procedure -

1. From the Gear Shift Lever Base/Shift Control Housing, remove the four (4) Retaining Capscrews.



2. To break the gasket seal, lightly jar the Gear Shift/Shift Control Housing.



3. Remove the Gear Shift Lever Housing.

CAUTION

Make sure the Detent Springs do not fall into the Transmission.

4. Remove Detent Springs as needed.
5. Remove the gasket and clean the area the replacement gasket will contact.



How to Install the Gear Shift Lever/Remote Shift Control

Special Instructions

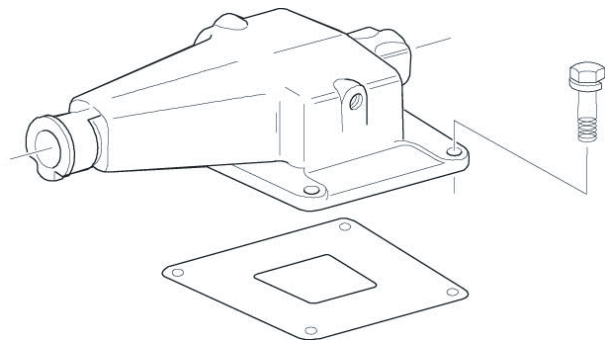
Remote Control Housings are installed the same way as Gear Shift Levers.

For standard and forward Shift Bar Housings, make sure the Detent Springs and Balls are in the Shift Bar Housing top bores.

Make sure the Shift Block and Yoke notches are aligned in the neutral position.

Procedure -

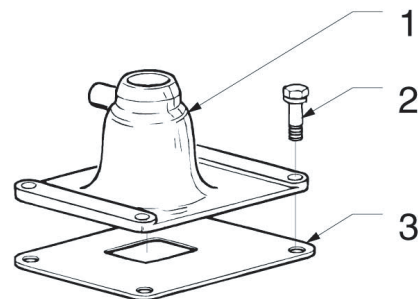
1. Thoroughly clean mounting surface.
2. Position a new gear Shift Lever/Shift Control Housing Gasket on the Gear Shift Lever mounting surface.
3. Install the Detent Springs.
4. Install the Shift Lever/Shift Control Housing. Make sure the tip (finger) of the Gear Shift Lever fits into the slots in the Shift Block.



5. Apply Eaton/Fuller Sealant #71205 or equivalent to the retaining capscrews.
6. Install the retaining capscrews, tighten to 35–45 lbs.ft. of torque.

Note: Make sure the capscrews are properly torqued.

Note: Make sure you can shift the Transmission.



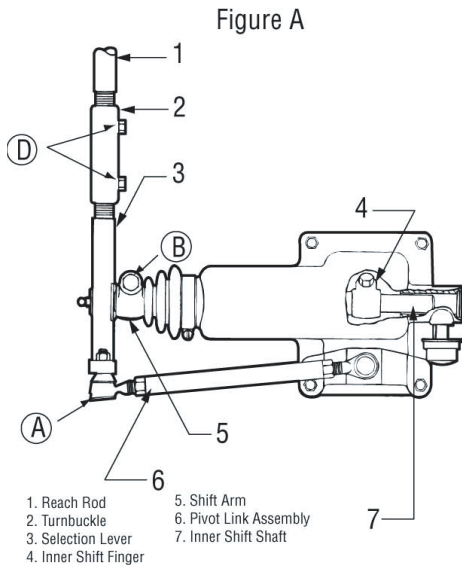
1. Housing
2. Capscrew
3. Gasket

In-Vehicle Service Procedures

In-Vehicle Service Procedures How to Adjust the Remote Shift Control (LRC Type)

Special Instructions

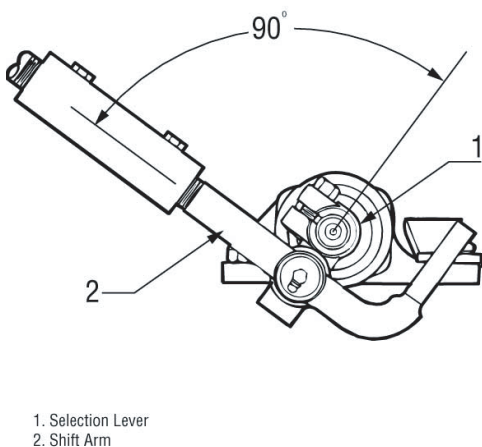
The following is a typical adjustment procedure for an LRC type Slave Control. It is recommended that the OEM Chassis Service Manual be consulted first.



Procedure -

1. Move the Gear Shift Lever forward or backward to the neutral position.
2. Move the Gear Shift Lever sideways, toward reverse, until you feel resistance from the Reverse Plunger Spring. DO NOT shift to reverse. The Shift Finger must remain in this position while you are making all the adjustments.
3. Remove the Cotter Pin, Castle Nut and Ball Joint A (see figure A) from the Selection Lever. Do not remove the ball joint from the pivot link.
4. Loosen the Capscrew B (see figure A) and remove the Shift Arm from the inner shift shaft. Do not disconnect the Selection Lever from the Shift Arm.

Figure B

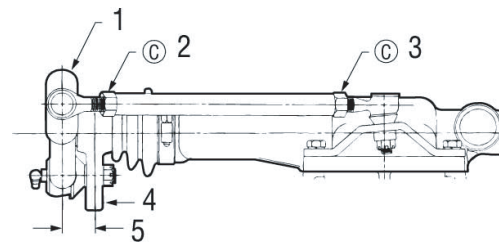


5. Turn the Shift Arm until it is at a right angle (90°) to the Selection Lever as viewed from the side (see figure B).

Note: Ideally, the Shift Arm should be adjusted 90° to the Selection Lever as described, but in some chassis configurations, it may be necessary to index the Shift Arm in the vertical position. Indexing the Shift Lever is done to prevent shift lever jump out. This type of adjustment will cause an unequal amount of gear shift lever travel between neutral and a forward lever position as compared to neutral and a rearward lever position.

6. Install the Shift Arm on the splines of the Inner Shift Shaft. You may have to move the Shift Arm 4° or 5° to align the splines of the two parts. Disregard any movement of the Gear Shift Lever at this point. The Gear Shift Lever will be adjusted later.
7. Tighten the Capscrew B (see figure A) on the Shift Arm.
8. Connect the Pivot Link Assembly Ball Joint to the Selection Lever. Secure it with the Castle Nut and Cotter Pin.
9. Loosen the Jam Nuts C (see figure C) on the Pivot Link.
10. Check to be sure the Inner Shift Finger is still in place.
11. Rotate the Pivot Link until the curved end of the Selection Lever is parallel with the Shift Arm as viewed from the rear (see figure C).
12. Tighten the Pivot Link Jam Nuts C (see figure C).
13. Loosen both capscrews on the Turnbuckle D (see figure A).
14. Check to be sure Inner Shift Finger is still in place.
15. Rotate the Turnbuckle to obtain the proper forward-backward neutral position of the Gear Shift Lever in the cab.
16. Tighten one Turnbuckle D capscrew (see figure A).
17. Move the Gear Shift Lever to the desired position.
18. Turn the second Turnbuckle D Capscrew.
19. Check for linkage obstructions in all gear positions.

Figure C



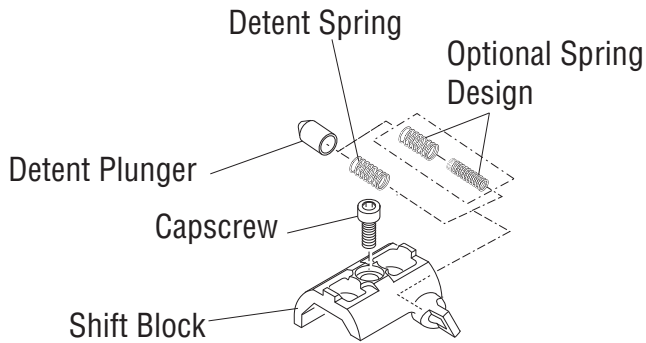
1. Selection Lever
2. (L.H. Thread)
3. (R.H. Thread)
4. Shift Arm
5. Parallel

In-Vehicle Service Procedures

How to Remove the Detent Spring

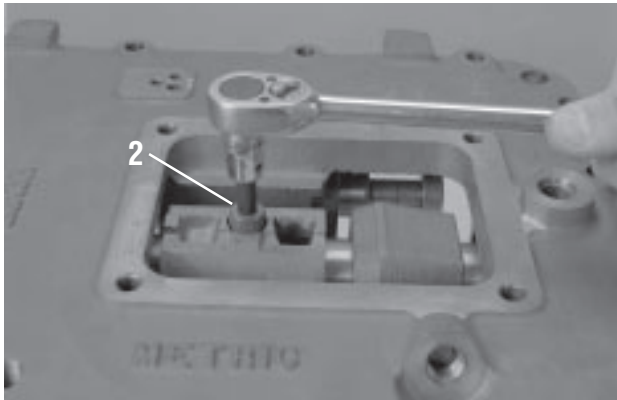
Special Instructions

None

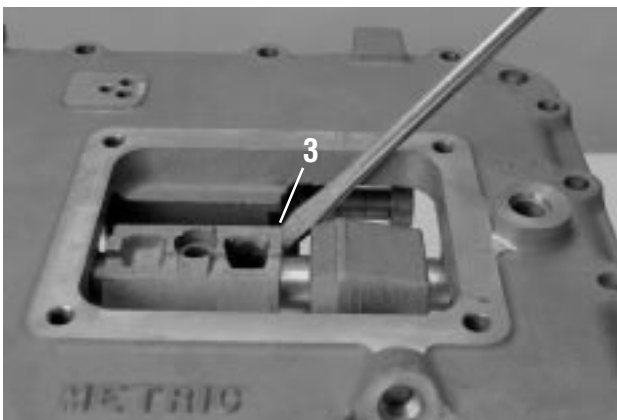


Procedure -

1. Remove the Shift Lever or Remote Shift Control according to the "Shift Lever/Remote Shift Control Removal" instructions in this section.



2. Remove the Shift Block Socket Head Capscrew using an 8 mm or 5/16" hex driver.



3. Gently pry the Shift Block loose, and lift it straight up to prevent the Detent Plunger and Spring from falling into the Transmission Case.
4. Remove the Detent Plunger and Spring(s).

Note: Some Transmissions may have two springs to increase the detent force.

How to Install the Detent Spring

Special Instructions

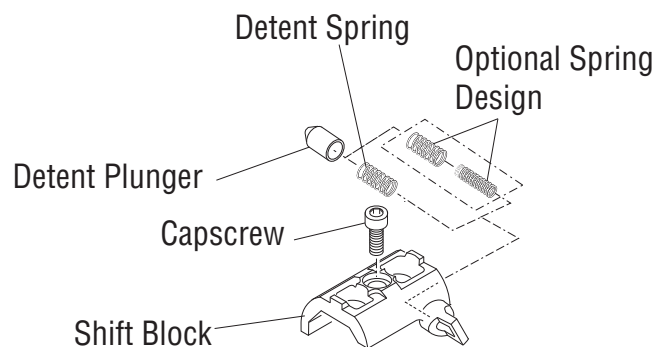
None

Special Tools

- Torque Wrench, 50 lb. ft. Capacity

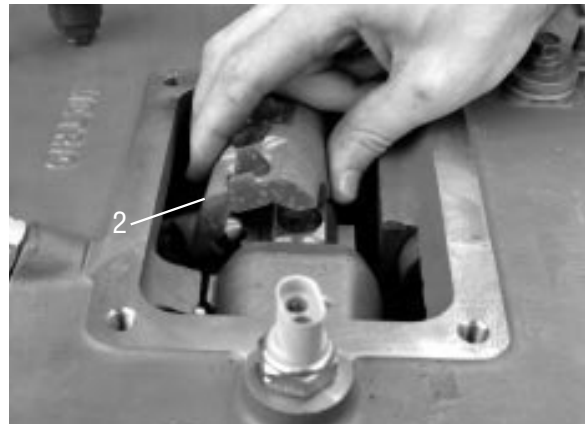
Procedure -

1. Place the Detent Spring(s) and Detent Plunger in the Shift Block.

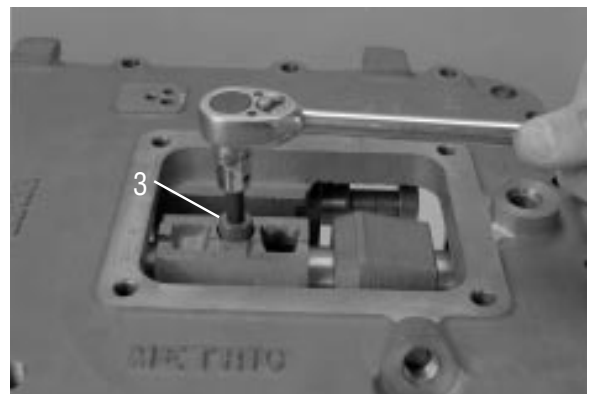


2. Place the Shift Block on the Shift Shaft using the following procedure:

- a. Tilt the Shift Block so the Plunger faces slightly upward.
- b. Place the Plunger in the center of the Detent Notch, and press the Detent Plunger in to compress the Detent Springs.
- c. While the springs are compressed, roll the Shift Block into place on the Shift Shaft. If the Shift Shaft has been moved or otherwise disturbed, it may be necessary to slide the Shift Shaft fore or aft to properly install the Shift Block.



3. Install the Socket Head Capscrew to secure the Shift Block. Apply Thread Sealant/Adhesive and Torque the screw to 40–45 lb. ft. (54–61 N•m)
4. Install the Shift Lever or Remote Shift Control according to the “Shift Lever/ Remote Shift Control Installation” instructions in this section.



Note: Transmissions with Shift Shaft Part Number 4308006 with register neutral side to side in all three Shift Gates. Part Number 4305078 is central neutral position only.

In-Vehicle Service Procedures

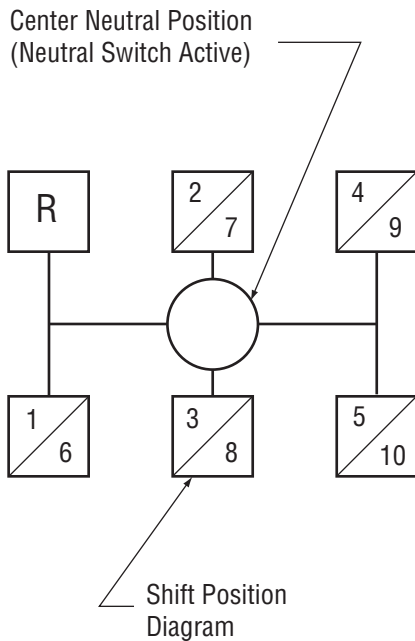
Neutral Switch Operation and Testing

Special Instructions

The Neutral Switch is a normally closed switch. An electrical current flows through it when the Transmission Shifter is in the center neutral position. When the Transmission Shifter is in gear or a side neutral position, the switch is open and no current flows through it.

Special Tools

- Ohm Meter



Procedure -

1. Disconnect the wiring from the switch by lifting the Connector Locking Tab and pulling the Connector out of the Switch.
2. Connect an Ohm Meter to check for continuity or a small reading.
3. Place the Transmission Shift Lever in the center neutral position. The Ohm Meter should register continuity or a small reading. If it does, go to the next step. If it does not, remove the Switch and replace it according to the removal instructions below.
4. Shift the Transmission into all gear positions. The Ohm Meter should read open or infinity. If it does not, remove the Switch, recheck it for continuity, and replace it as necessary. Also, check for the presence of the Neutral Switch Pin.

Note: Shift Shaft part number 4308006 will register Neutral Switch continuity in all three Shift Gates. All FR-series Transmissions built after 3/2013 contain Shift Shaft 4308006.

How to Remove the Neutral Switch

Special Instructions

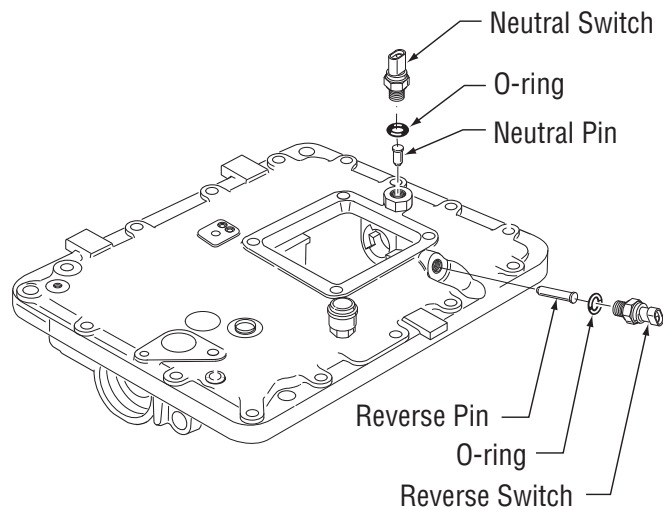
If the Ohm Meter responds as indicated in the test procedure, do not perform this procedure as the Switch is in good working condition.

Special Tools

- Typical service tools

Procedure -

1. Remove the Switch using a 22 mm or 7/8" deep well socket or box end wrench.
2. Check for the presence of the Neutral Pin in the bore under the Switch.
3. While watching the Neutral Pin, move the Transmission in and out of gear. The Pin should raise up when the Transmission is in gear and lower when the Transmission is in neutral. If the Pin does not operate properly, remove the Pin with a magnet and check it for wear. Also, remove the Shift Bar Housing and check the Shift Shaft for wear.
4. Remove the Pin from the bore with a magnet and check it for excessive wear. If it is worn, replace it.
5. If the Pin is present and not worn, replace the Switch with a new one.



In-Vehicle Service Procedures

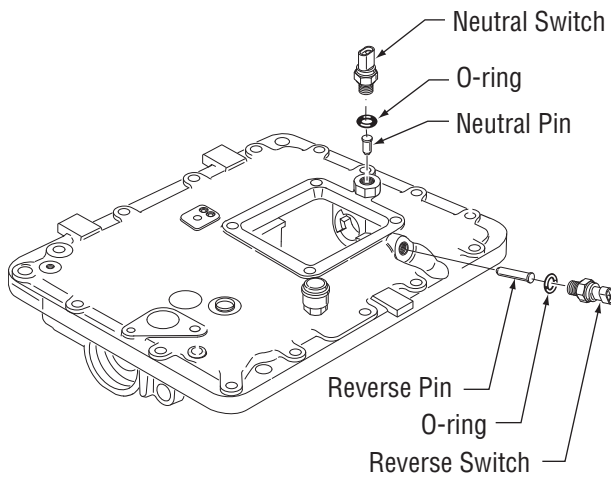
How to Install the Neutral Switch

Special Instructions

None

Special Tools

- Torque Wrench, 25 lb. ft. Capacity



Procedure -

1. Insert the Neutral Pin in the neutral switch bore. (The Neutral Pin is shorter than the Reverse Pin).
2. Lubricate the O-ring on the Switch.
3. Install the Neutral Switch. Tighten it to 15–20 lb. ft. (20–27 N•m) of torque.
4. Connect the Wiring Connector to the Switch, making sure the Locking Tab engages properly.

Reverse Switch Operation and Testing

Special Instructions

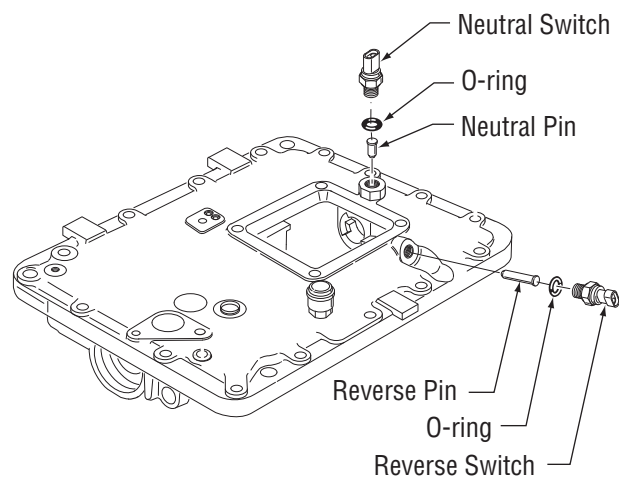
The Reverse Switch is a normally open ball switch. When the Transmission is shifted into reverse, a ramp on the Reverse Shift Yoke contacts and raises a pin. The pin depresses the ball on the switch, which closes the switch contact, allowing current to flow through the switch and light up the vehicle's backup lights.

Special Tools

- Ohm Meter

Procedure -

1. Disconnect the wiring from the Switch by lifting the Connector Locking Tab and pulling the connector out of the Switch.
2. Connect an Ohm Meter to test for continuity.
3. Place the Transmission Shift Lever in any position except reverse. If the Switch is working properly, the Ohm Meter should read open or infinity. If it is not, remove the Switch and recheck it for continuity. Replace it as necessary.
4. Place the Transmission Shift Lever in the reverse position. If the Switch is working properly, the Ohm Meter should register continuity, or a small reading. If it does not, remove the Switch and recheck it for continuity. Replace it as necessary. Also, check for the presence of the Reverse Pin.



In-Vehicle Service Procedures

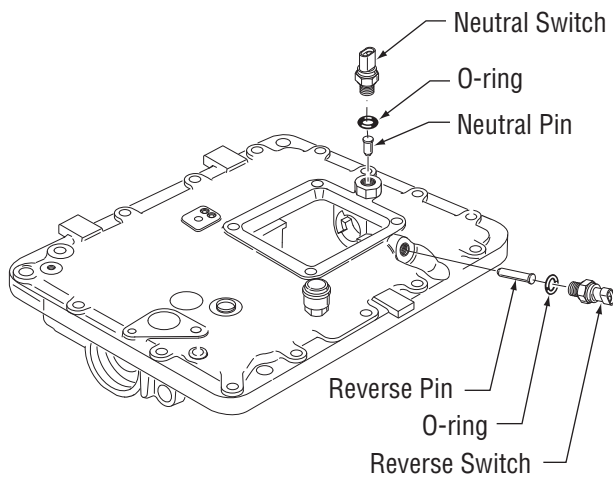
How to Remove the Reverse Switch

Special Instructions

If the Ohm Meter responds as indicated in the test procedure, do not perform this procedure as the switch is in good working condition.

Special Tools

- Typical service tools



Procedure -

1. Remove the Reverse Switch using a 22 mm or 7/8" deep well socket or box end wrench.
2. Check for the presence of the Reverse Pin in the bore under the Switch.
3. While watching the Reverse Pin, move the Transmission Shifter between the reverse position and any gear. The pin should raise when the Transmission is shifted to reverse and lower when the Transmission is in neutral. If the pin does not raise and lower, inspect it to see if something is causing it to stick, and inspect it for wear. Also, remove the Shift Tower and check for wear on the Reverse Yoke Ramp. This ramp can be seen through the Shifter opening.
4. Remove the pin from the bore with a magnet and check it for excessive wear. If it is worn, replace it.
5. If the pin is present and not worn, replace the Reverse Switch with a new one.

How to Install the Reverse Switch

Special Instructions

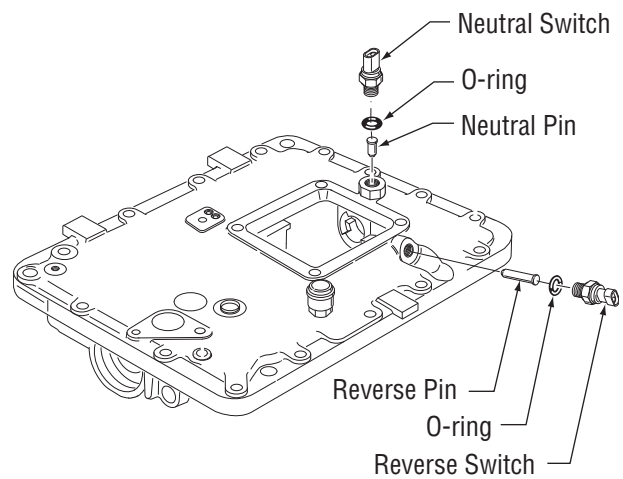
None

Special Tools

- Torque Wrench, 25 lb. ft. Capacity

Procedure -

1. Insert the Reverse Pin in the Reverse Switch bore.
(The Reverse Pin is longer than the Neutral Pin.)
2. Lubricate the O-ring on the Switch.
3. Install the Reverse Switch. Tighten it to 15–20 lb. ft.
(20–27 N•m) of torque.
4. Connect the Wiring Connector, making sure the Locking Tab engages properly.



In-Vehicle Service Procedures

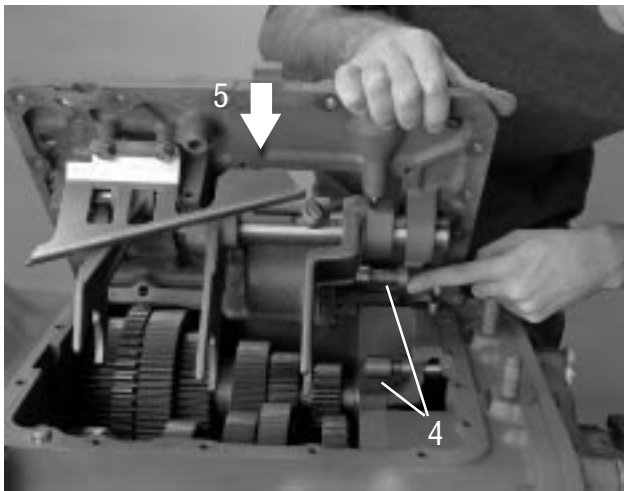
How to Install the Shift Bar Housing

Special Instructions

None

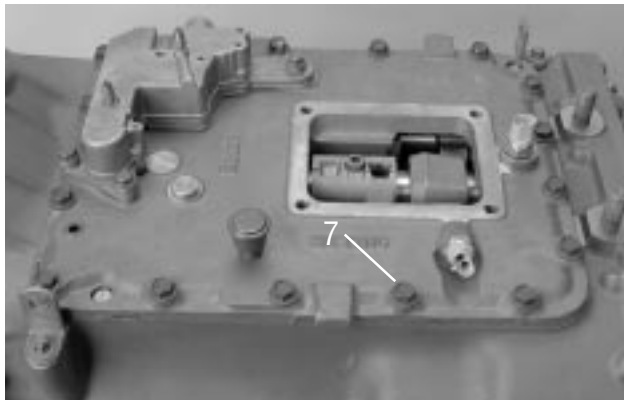
Special Tools

- Torque Wrench, 50 lb. ft. capacity



Procedure -

1. Clean the gasket mounting surface of the Main Case and Shift Bar Housing, and place a new gasket on the Main Case.
2. Place the Shift Bar Housing Shift Shaft in the neutral position so the yokes will be positioned to fit over the Mainshaft Sliding Clutches.
3. In the Main Case of the Transmission, place the Mainshaft Sliding Clutches in their neutral positions.
4. If the Auxiliary Section is in place, slide the Range Piston Bar forward or rearward to align the notch in the Piston Bar with the notch in the Range Yoke Bar.
5. With all parts properly aligned, lower the Shift Bar Housing straight down into position. Position can be verified thru Shift Tower opening.
6. Apply Eaton® Fuller® thread sealant #71205 or equivalent to the retaining capscrews.
7. Install the 16 retaining capscrews. Tighten the screws in sequence per numbers on Shift Bar Housing to 40–45 lb. ft. (54–61 N•m) of torque.



How to Remove the Shift Bar Housing

Special Instructions

The Air Module does not have to be removed in order to remove the Shift Bar Housing.

Special Tools

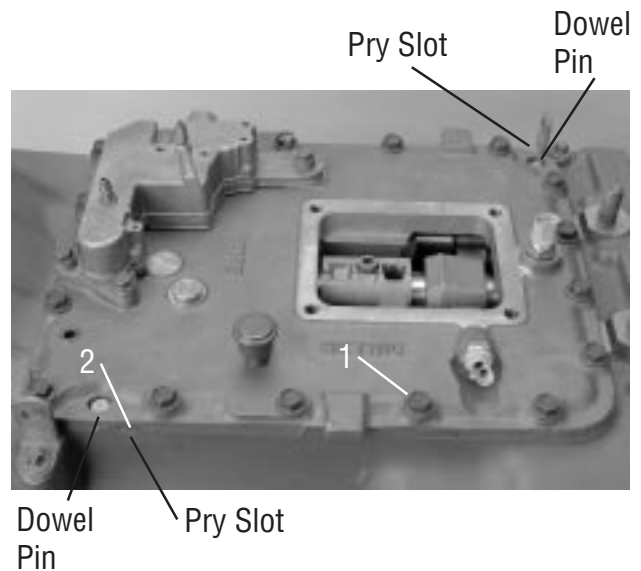
- Typical service tools

Procedure -

1. From the Shift Bar Housing rim, remove the 16 retaining capscrews.
2. Insert a screwdriver into the pry slots near the dowel pins and pry the housing off the dowel pins.

TIP: Light upward hammering on the three tabs may help loosen the Shift Bar Housing. Do not hammer excessively as the housing may crack.

3. Lift the Shift Bar Housing straight off the Transmission Case and set it on a bench.
4. Remove the gasket, and clean all mounting surfaces of gasket material.



In-Vehicle Service Procedures

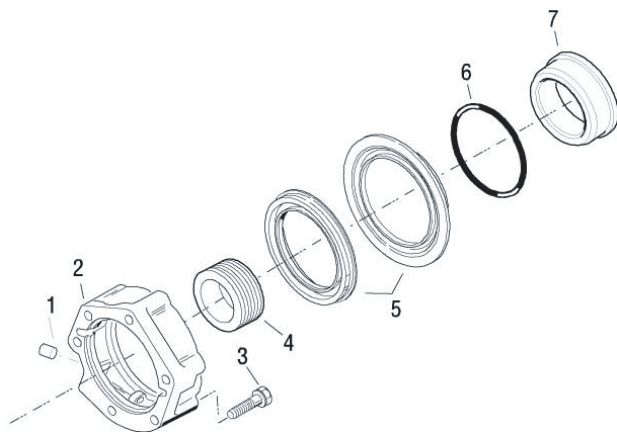
How to Remove the Oil Seal Mechanical/Magnetic Speedometer

Special Instructions

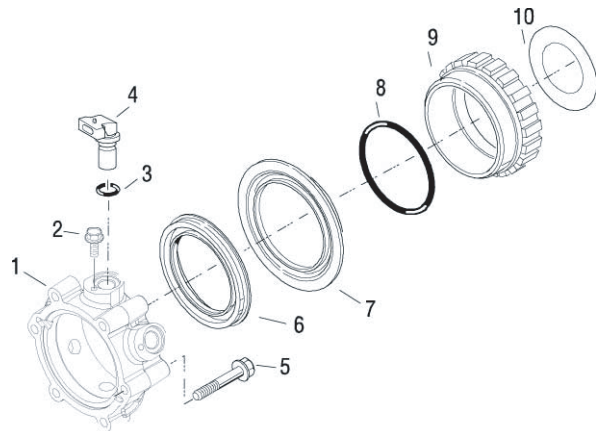
Prior to replacing the seal, carefully inspect the Transmission to make sure the oil leakage is coming from the seal. Pay particular attention to the gasketed surfaces of the Rear Bearing Cover, Rear Countershaft Bearing Covers, and Shift Bar Housing.

Special Tools

- Output Yoke Puller



1. Bushing
2. Rear Bearing Cover Assembly
3. Capscrew
4. Speedometer Drive Gear
5. Oil Seal with Slinger
6. O-Ring
7. Speedometer Spacer Assembly



1. Rear Bearing Cover
2. Sensor Retaining Capscrew
3. O-Ring
4. Speedometer Sensor
5. Capscrew
6. Oil Seal
7. Slinger
8. O-Ring
9. Speedometer Spacer Assembly
10. Slinger

Procedure -

1. Disconnect the Driveshaft and U-joint from the Output Yoke according to the OEM or driveshaft manufacturer's instructions.
2. Shift the Transmission into 1st gear or low gear or use a Yoke Holding Tool to prevent the Output Yoke from turning when you loosen the Output Yoke Nut.
3. Remove the Output Yoke Nut using a 70 mm or 2 3/4" socket.

4. Remove the Output Yoke. Use Yoke Puller if needed.

- a. For Magnetic Speedometers:

Remove the Speedometer Sensors from the rear bearing cover.

TIP: If the Sensor is a thread in type, note the number of threads exposed so that the Sensor can be reinstalled to the same depth. If the Sensor is a push in type, remove the Hold Down Capscrew and pull the Sensor out of the bore.

Remove the Speedometer Rotor/Seal Sleeve and the O-ring.

- b. For Mechanical Speedometers:

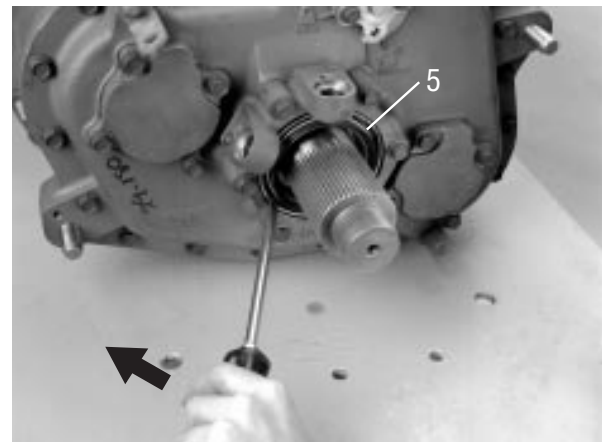
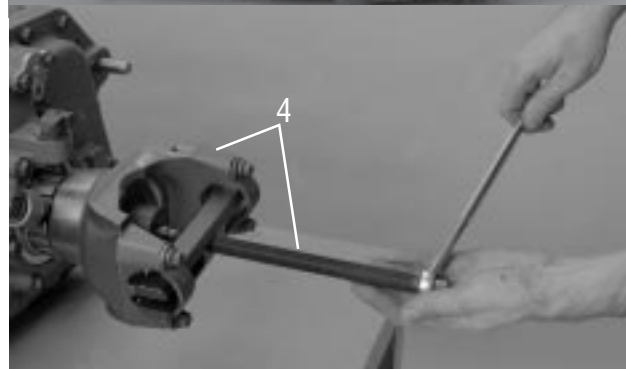
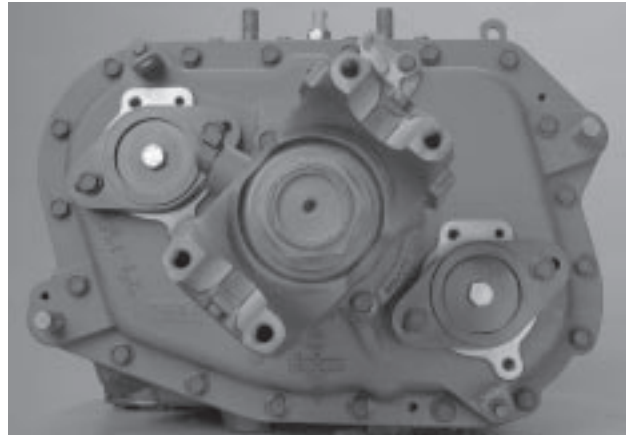
Remove the Seal Sleeve and O-ring.

5. For Transmissions with Magnetic Speedometers, pry the seal out as shown using a large screwdriver or prybar in the metal groove of the seal. For Transmissions with Mechanical Speedometers, use a Slide Hammer with a hook attachment to remove the seal.

Note: The seal will be damaged during removal and must be replaced.

6. Remove Seal Slinger from the Speedometer Rotor/Seal Sleeve using a Brass Drift and hammer. Remove Seal Slinger from the Speedometer Rotor/Seal Sleeve using a Brass Drift and hammer.

7. Inspect all parts of the Oil Seal according to the instructions in the "General Service Practices" section of the manual.



In-Vehicle Service Procedures

How to Install the Oil Seal Mechanical/Magnetic Speedometer

Special Instructions

Clean Seal Driver before installing new seals to prevent damage and future leaks.

Special Tools

- RR1001TR-2 Seal Driver
- RR1001TR-8 Seal Driver Adapter
- RR1001TR-1 Seal Slinger Driver
- RR1019TR Hand Maul
- Torque Wrench, 700 lb. ft. capacity



Procedure -

1. Place Driver Adapter RR1001TR-8 on Seal Driver RR1001TR-2 and use a Hand Maul to install a new seal in the Output Bearing Cover. The seal is fully installed when the flange on the seal is flush with the shoulder in the bore.



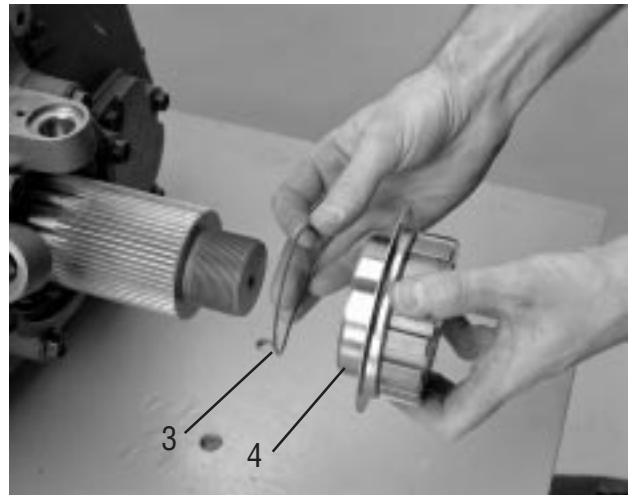
2. Install new Seal Slinger on the Speedometer Rotor using RR1001TR-1 Slinger Driver and Hand Maul.

3. If previously removed, install the O-ring over the Output Shaft.

CAUTION

To avoid creating oil leaks, make sure the Speedometer Rotor/Seal Sleeve is free from contaminants.

4. Install the Speedometer Rotor/Seal Sleeve over the Output Shaft, and install the Speedometer Sensors.
5. Install the Output Yoke over the Output Shaft. The Yoke should slide on and stop before contacting the Speedometer Rotor. As the Output Shaft Nut is installed, the Output Yoke will contact the Speedometer Rotor.
6. Install Output Nut and torque to 650–700 lb. ft. (881.28-949.07 N•m).
7. Connect the Driveshaft and U-joint according to the OEM or Driveshaft manufacturer's instructions.



In-Vehicle Service Procedures

How to Remove the Auxiliary Section in Chassis

Special Instructions

The following procedure covers the removal of the Auxiliary Section with the Transmission remaining in the Chassis. If the Transmission has been removed, refer to “Auxiliary Section Removal (Bench Procedure)” for removal procedures.

Important: The Lock Cover was removed on new units, so the Shiftbar needs to be removed to unlock the Range Cylinder and remove the Auxiliary Section.

Special Tools

- Floor Jack
- M10 x 1.5 thread tap
- RR1002TR Auxiliary Countershaft Support Straps



Procedure -

1. Place the Range Selector on the Shift Knob in the down position to shift the Transmission into Low Range. Removing the Auxiliary Section when the Transmission is in Low Range will aid in reassembly.
2. Drain the transmission oil.
3. Disconnect the Driveshaft and U-joint from the Output Yoke.
4. If the Auxiliary Section is to be disassembled, remove the Output Nut using a 70 mm or 2 3/4” socket. To prevent the Output Shaft from rotating while removing the nut, shift the Transmission to 1st gear or use a yoke holding tool.

⚠ WARNING

If the Shift Bar Housing is still installed, you MUST perform steps 5 and 6 if the Lock Cover is present. New designs no longer use the Lock Cover and the Shiftbar Housing must be removed for Auxiliary Section removal.

5. Remove the capscrews from the Range Bar Lock Cover, and rotate the Lock Cover counterclockwise until the notch on the cover lines up with the unlock symbol.

Note: The top picture is the old style cover and the bottom picture is the new style cover.

Note: If the system still contains air pressure, greater force is required to turn the Lock Cover.

6. Insert the right capscrew to secure the cover in the unlock position.

Note: This step unlocks the Range Yoke Bar in the Auxiliary from the Range Piston Bar in the Shift Bar Housing.

7. Drive the two Dowel Pins forward, and remove them.
8. Remove 18 of the 19 capscrews that secure the Auxiliary Section to the Main Section. Leave one capscrew to secure the Housing until it is ready to be removed.

Note: Capscrews are different lengths. Note their locations for reassembly purposes.

9. Clean and oil the three threaded pusher holes in the Auxiliary Section flange. To clean them, thread an M10x1.5 tap into each hole to remove paint, rust, and other debris.

WARNING

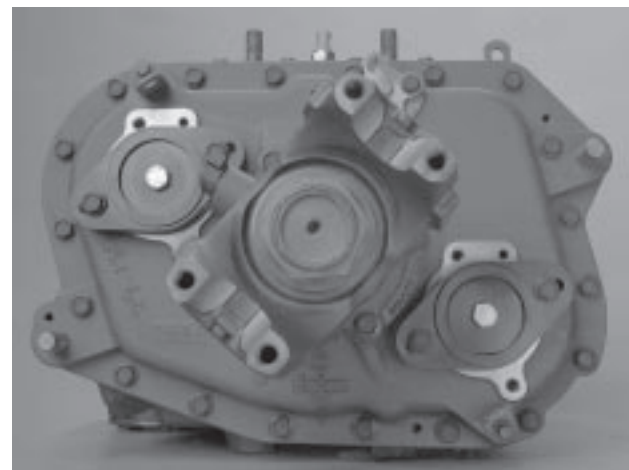
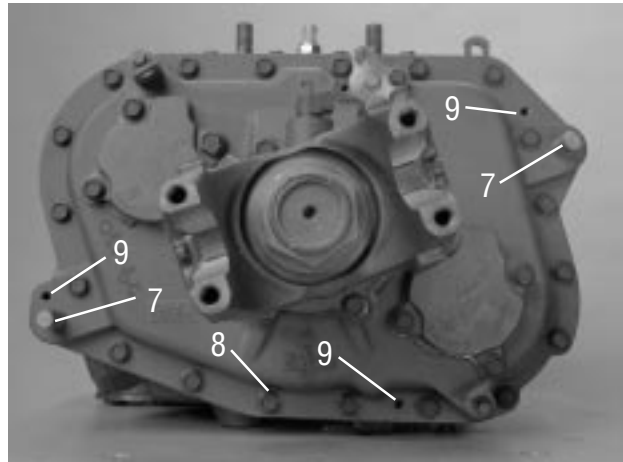
Use the proper equipment with safety chains attached to remove the Auxiliary Section. The Auxiliary Section can slide rearward and could fall, causing you serious injury and/or damage to the Auxiliary Section.

10. Attach the chain and Lifting Device to the Auxiliary Section Hanger.
Remove the Auxiliary Countershaft Bearing Covers and install RR1002TR Auxillary Countershaft Support Straps.
11. Thread capscrews into each of the three previously cleaned pusher holes in the Auxiliary Section Flange. Run the capscrews in evenly to break the gasket seal and move the Auxiliary Housing rearward approximately 1/4." After breaking the gasket seal, remove the Pusher Screws.

CAUTION

The weight of the Auxiliary Section must be supported during removal to avoid damage to the Range Yoke Bar.

12. Support the weight of the Auxiliary Section with the Lifting Device or Support Jack and move the Auxiliary Section rearward until it is free from the front section of the Transmission.



In-Vehicle Service Procedures

How to Install the Auxiliary Section in Chassis

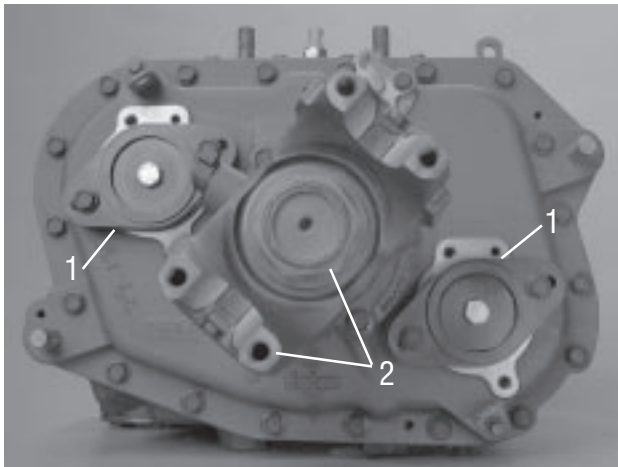
Special Instructions

CAUTION

The Lock Cover was removed on new units, so the Shiftbar Housing must remain off during Auxiliary Assembly to attach the Range Cylinder.

Special Tools

- Floor Jack
- Torque Wrench, 700 lb. ft. capacity
- Torque Wrench, 100 lb. ft. capacity
- RR1002TR Auxiliary Countershaft Support Straps



Procedure -

1. Install the RR1002TR Auxiliary Countershaft Support Straps on the Auxiliary Section Countershafts to center and hold the Countershafts in position.
2. Install the Output Yoke over the Output Shaft. The Yoke should slide on and stop before contacting the Speedometer Rotor. As the Output Shaft Nut is installed, the Output Yoke will contact the Speedometer Rotor.

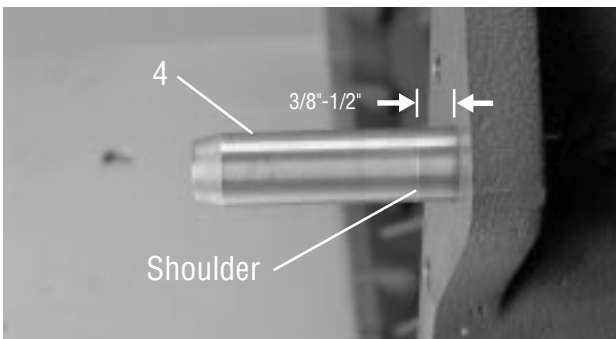
Note: To prevent the Output Shaft from rotating while installing the nut, place a clean shop rag in the gear mesh or use a yoke holding tool.

Note: Due to chassis interference, it may not be possible to install the Yoke at this step. However, the Output Shaft must be drawn fully into position to prevent it from sagging when the Auxiliary Section is installed in the Chassis. If the Chassis causes interference, the Yoke can be temporarily installed to draw up the Output Shaft and then removed before the Auxiliary Section is installed.

3. Use a wire wheel to clean rust and paint from the Dowel Pins before installing them.

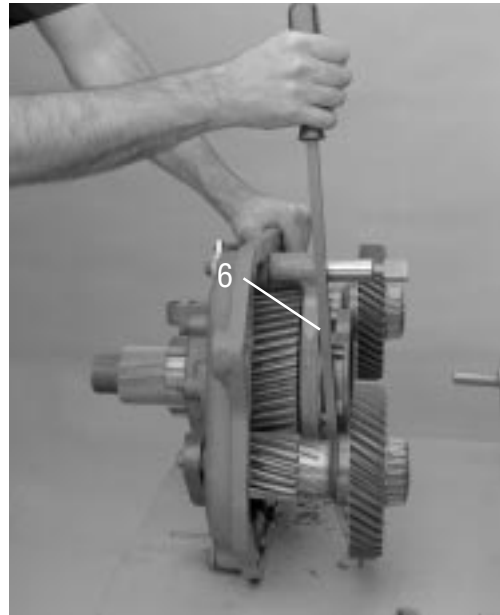
CAUTION

If the Dowel Pins are not installed in the Main Case to the proper depth in Step 4, the Auxiliary Section will not properly align with the Main Case and Bearing or Synchronizer failure may occur.



4. Install the dowel pins into the Main Case so that 3/8"–1/2" of the shoulder is exposed.

5. Clean all rust and paint from the dowel pin holes in the Auxiliary Section Housing, and lightly grease the Dowel Pins on the Main Case and the dowel pin holes on the Auxiliary Section Housing.
6. Make sure the Auxiliary Section is in Low Range. If not, use one or two large screwdrivers or prybars to apply even rearward pressure to the Range Sliding Clutch to move it into the Low Range position.



7. Make sure the Range Bar Lock Cover is in the unlock position. If not, rotate it counterclockwise until the notch on the cover is aligned with the unlock symbol, and secure it in that position.

CAUTION

The Lock Cover has been removed on newer models, so the Shiftbar Housing needs to remain removed until the Range Cylinder and Auxiliary Section are assembled.

Note: Old style Auxiliary Cover is shown in the top picture and the new style cover in the bottom picture.



8. Position the gasket onto the Main Case mounting surface.
9. Mount the Auxiliary Section on the Lifting Device or Jack.

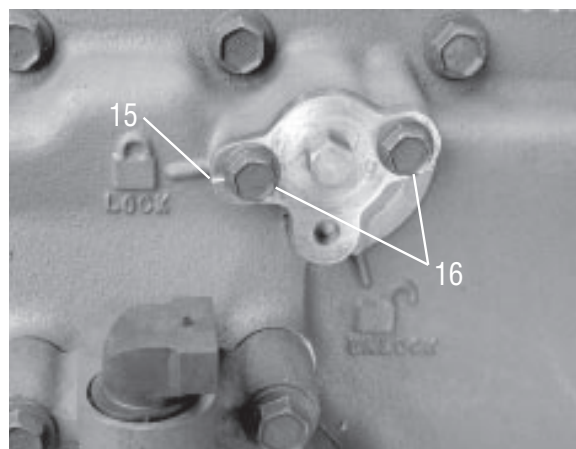
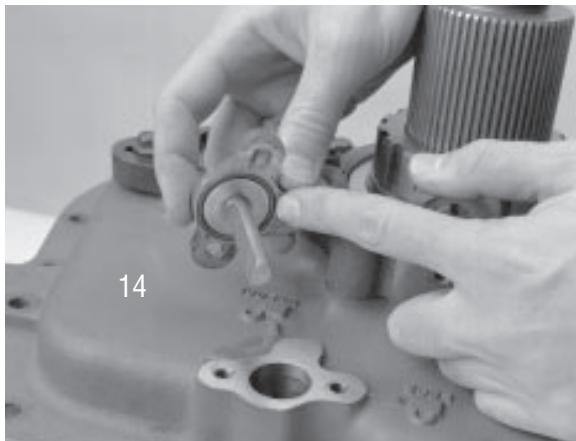
In-Vehicle Service Procedures

10. Position the Auxiliary Section in line with the Main Case, and perform the following steps:
 - a. Insert the Range Yoke Bar into the bore.
 - b. Mesh the Countershafts with the Auxiliary Drive Gear. Rotate the Output Yoke and Shaft slightly to help the gears mesh.

⚠ CAUTION

The Auxiliary Section should slide into place fairly easily. DO NOT force it on or pull it into place with the capscrews. Excessive force may damage the Transmission. If excessive force is necessary, the gearing is likely out of time. Remove the Auxiliary Section, tighten the Countershaft Support Tools, and try again.

11. While rotating the Output Shaft, slide the Auxiliary Section forward as far as it can go.
12. Apply Eaton®Fuller® thread sealant #71205 or equivalent to the capscrew threads.
13. Install the 19 retaining capscrews to secure the Auxiliary Section to the Main Case. Torque the capscrews to 40–45 lb. ft. (54–61 N•m).
14. Remove the capscrew securing the Range Bar Lock Cover in the unlock position, and remove the Lock Cover. Check the O-ring on the inside of the cover to be sure it is in position, and look for signs of wear or damage. Replace it if necessary. Apply Eaton®Fuller® thread sealant #71205 or equivalent to the capscrews used to secure the cover.



15. Install the Range Bar Lock Cover, and rotate it clockwise until the notch on the cover aligns with the lock symbol.

Note: The cover should rotate fairly easily. If it does not rotate, the Range Piston Bar and the Range Yoke Bar may not be in the same range position (Low Range). Move the Range Lever from low to high and back to low, while rotating the Lock Cover.
16. Secure the cover in the locked position with the capscrews, and torque them to 20–23 lb. ft. (27–31 N•m).

Note: To properly align the Lock Cover the Transmission must be in Low Range prior to tightening the capscrews.

17. If the Countershaft, Countershaft Bearings, or Auxiliary Housing have been replaced, or if the Countershafts, Bearings, or Shims were not marked and reassembled in the same location, the Bearing endplay must be checked and set by shimming. Shim the Countershaft Bearings using the shim procedure in Transmission Overhaul Procedure-Bench Service.
18. If shimming is not required, remove the Support Tools, and install the original shim in the proper location, new gasket and Countershaft Bearing Cover. Secure the Bearing Covers with the capscrews. Tighten the capscrews to 40–45 lb. ft. (54–61 N•m)
19. Connect the Driveshaft and U-joint, and refill the Transmission with the recommended lubricant. For lubrication instructions, refer to the Lubrication section of this manual.

In-Vehicle Service Procedures

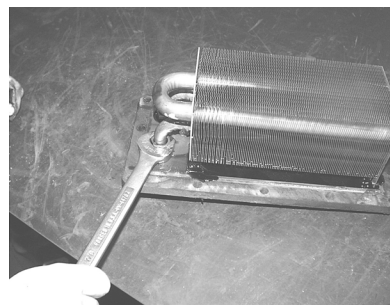
How to Disassemble the Integral Oil Cooler

Special Instructions

None

Special Tools

- Typical service tools



Procedure -

1. Remove cap screws retaining the internal Cooler Cover.
2. Remove the Cooler Cover, taking care not to damage the steel beaded gasket.
3. Loosen the Cooler Fittings from the Cooler Cover Plate.
4. Remove the cap screws retaining the rear of the Cooler to the Cover Plate.

How to Assemble the Integral Oil Cooler

Special Instructions

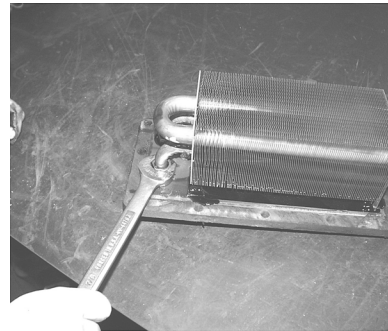
None

Special Tools

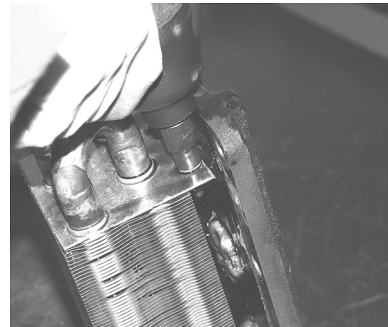
- Typical service tools

Procedure -

1. Thoroughly clean the gasket surface of the Transmission Case and Cover Plate. Be sure the Cooler Fitting threads and Flare Seat are free of dirt and debris.
2. Install Cooler to Cover Plate and tighten Cooler Fittings to 75 lb. ft. (102 Nm).



3. Install capscrews to rear of Cooler and tighten to 9–10 lb. ft. (12–14 Nm).



4. Install Cooler Cover Plate gasket and Cover Plate. Install capscrews and tighten to 40–45 lb. ft. (54–61 Nm).



In-Vehicle Service Procedures

How to Remove the Air Module

Special Instructions

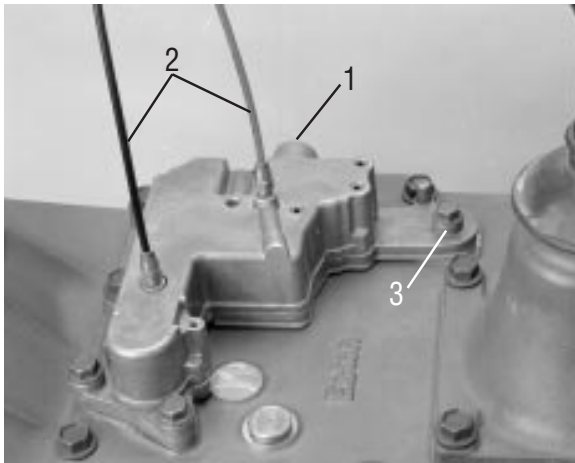
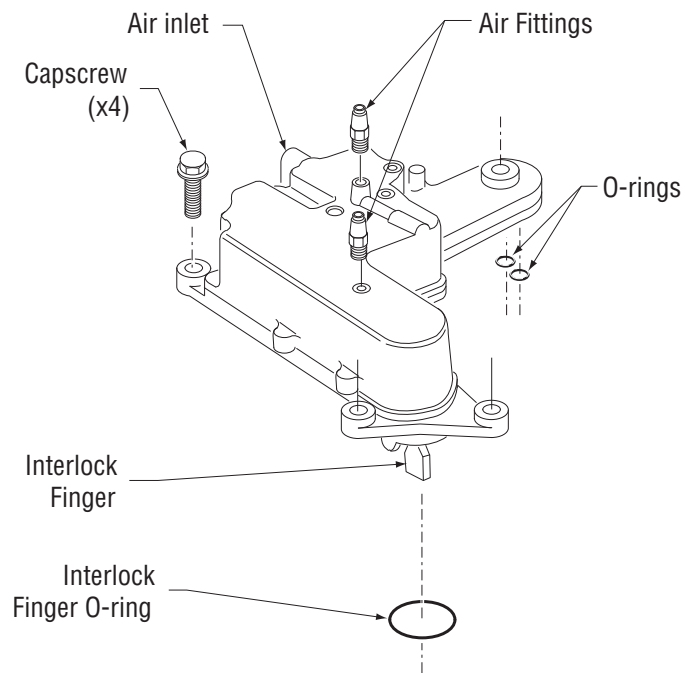


A sudden release of air pressure can cause personal injury or damage to equipment. To prevent injury or equipment damage, exhaust the Vehicle Air System or shut off the air supply to the Transmission before removing the Air Module.

Note: For air line removal and replacement instructions, refer to the “Air Line and Fitting” portion of In-Vehicle Service Procedures.

Special Tools

- Typical service tools



Procedure -

1. Disconnect the supply air line from the Inlet Port of the Air Module.
2. Tag the two air lines connected to the ports on the top of the Air Module with location information, and remove them.
3. From the Air Module, remove the four (4) capscrews, and lift the Module from the Shift Bar Housing.

4. From the Air Module Interlock Finger, remove the O-ring, and inspect it for damage or wear. Replace it if necessary.
5. From the two small recesses in the Shift Bar Housing Top, remove the two (2) O-rings and inspect them for damage or wear. Replace them if necessary.

Note: The O-rings may stick to the bottom of the Air Module.



In-Vehicle Service Procedures

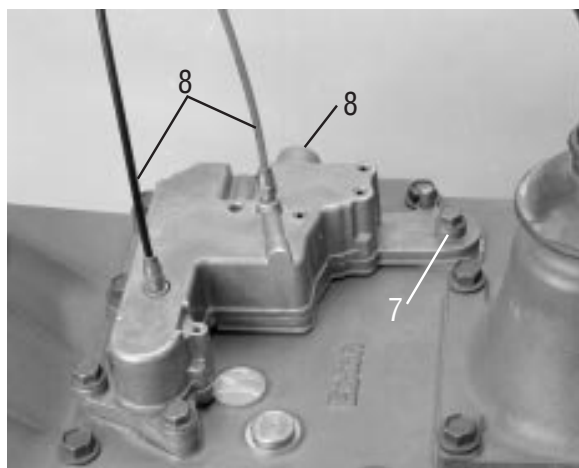
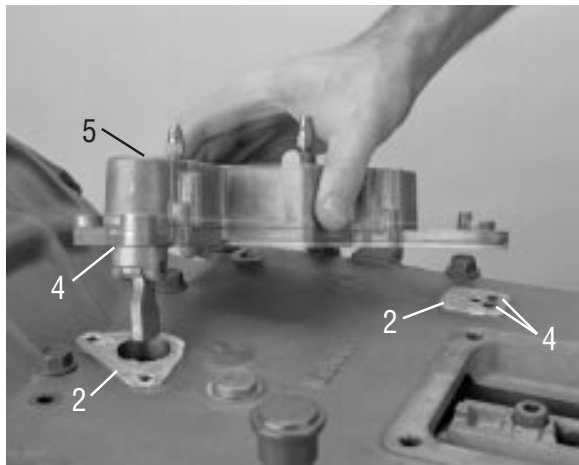
How to Install the Air Module

Special Instructions

None

Special Tools

- Torque Wrench, 25 lb. ft. Capacity



Procedure -

1. Clean all rust, paint, or other debris from the Air Module mounting surfaces of the Shift Bar Housing.
2. To help prevent corrosion between the aluminum Air Module and the cast iron Shift Bar Housing, apply a light film of high temperature grease to the Air Module mounting surfaces of the Shift Bar Housing.
3. Lightly apply Eaton®Fuller® silicone lubricant #71206 or equivalent to all O-rings so a film covers the entire surface of each O-ring.
4. Install the large O-ring on the Air Module Interlock Finger Boss, and position the two (2) small O-rings in the recesses in the Shift Bar Housing.
5. Position the Air Module on the Shift Bar Housing.
6. Apply Eaton®Fuller® thread sealant #71205 or equivalent to the four (4) retaining cap screws.
7. Install the four (4) retaining cap screws, and tighten them to 20–23 lb. ft. (27–31 N•m) of torque.
8. Reconnect the air lines to the inlet port and the other ports on the top of the Air Module.
9. Return air to the system, and check for leaks.

How to Disassemble the Gear Shift Lever

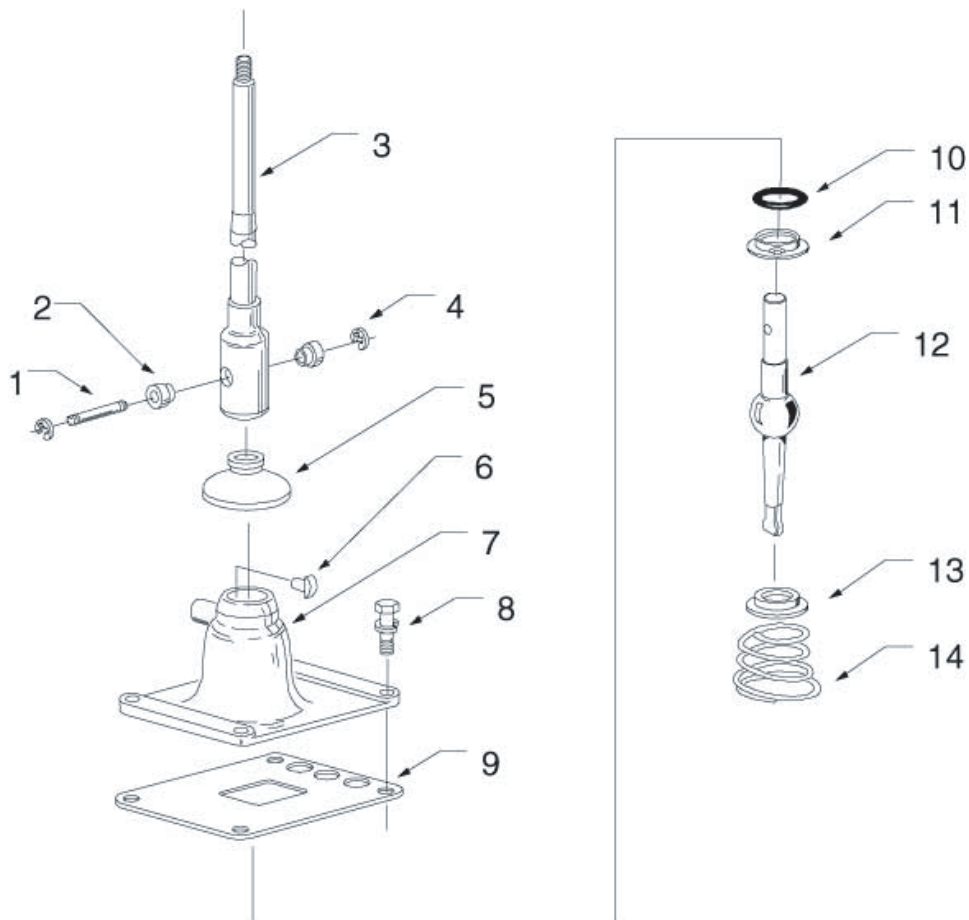
Special Instructions

If total disassembly is needed, the Roadranger Valve, must be removed first.

Release the spring, one coil at a time.

Special Tools

- Vise with brass jaws or wood blocks



1. Pin
2. Bushing
3. Upper Lever
4. Snap Ring
5. Rubber Boot
6. Spade Pin
7. Housing

8. Capscrew
9. Gasket
10. O-Ring
11. Washer
12. Lower Lever
13. Stepped Washer
14. Tension Spring

Transmission Overhaul Procedures - Bench Service

Procedure -

1. On a non-isolated Shift Lever, remove the Roadranger Valve using the “How to Remove the Roadranger Valve” instructions in In-Vehicle Service Procedures. If the Shift Lever is equipped with a Lever Isolator, remove the Snap Ring, bushing, and Cross Pin to disconnect and remove the upper lever.
2. Slide the rubber boot up and off the Shift Lever Shaft.
3. With housing bottom facing up, secure the assembly in a vise.
4. Use large screwdriver to twist between the spring and housing, forcing the spring from under the Housing Lugs one coil at a time.
5. From inside the Housing Tower, remove the Tension Spring, Washer, and Gear Shift Lever.
6. In models so equipped, from the housing bore, remove the nut and washer.
7. From the Housing Tower Spade Pin bore, remove and inspect the Spade Pin, discard if damaged.
8. From the Housing Tower inside groove, inspect the O-ring, discard if damaged.



How to Assemble the Gear Shift Lever

Special Instructions

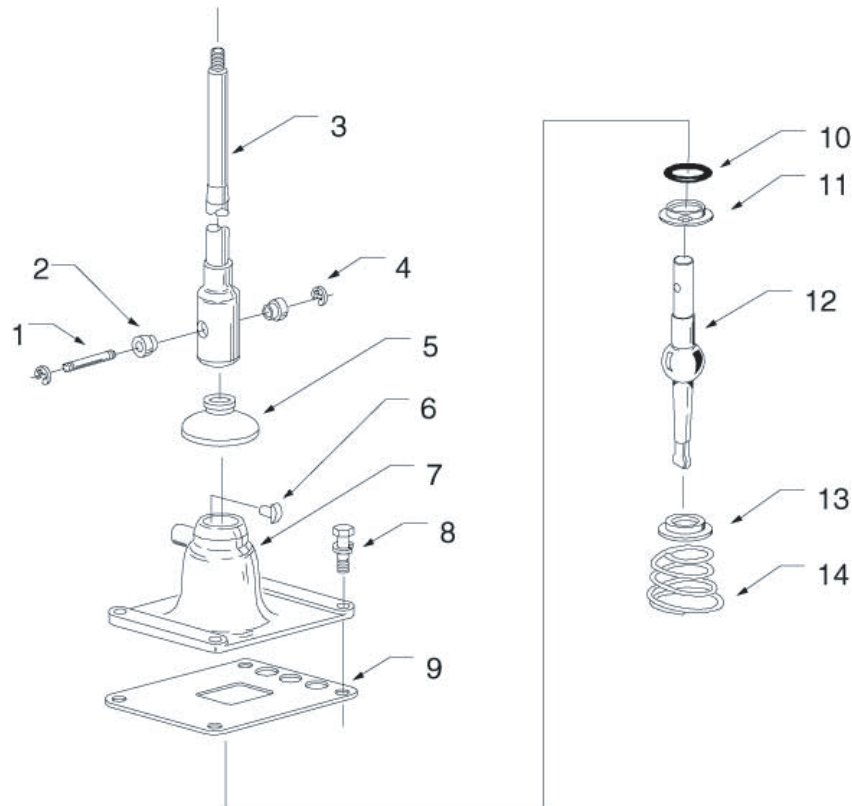
Inspect Tension Spring and washer for wear.

Apply Eaton rust preventative lubricant #71212 or equivalent to the Shift Lever Pivot Ball. A rust preventative lubricant film should cover all surfaces between and including the Pivot Ball.

Seat the Tension Spring one coil at a time.

Special Tools

- Vise with brass jaws or wood blocks
- Large Screwdriver or Prybar



1. Pin
2. Bushing
3. Upper Lever
4. Snap Ring
5. Rubber Boot
6. Spade Pin
7. Housing

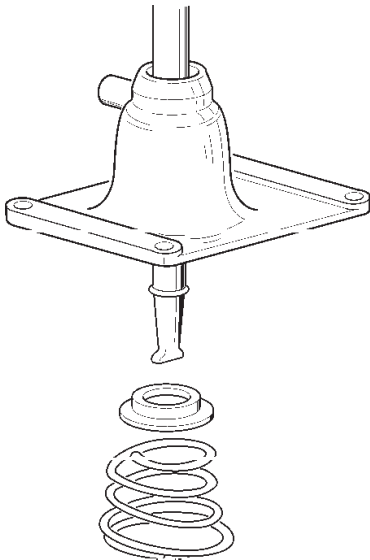
8. Capscrew
9. Gasket
10. O-Ring
11. Washer
12. Lower Lever
13. Stepped Washer
14. Tension Spring

Transmission Overhaul Procedures - Bench Service



Procedure -

1. With housing bottom facing up, secure the assembly in a Vise.
2. If the Spade Pin is damaged, replace and install the Spade Pin, in Housing Tower bore.
3. In models so equipped, install the nut and washer in the Housing bore.



4. If the O-ring is damaged, replace; lubricate the O-ring with Eaton/Fuller lubricant #71206 or equivalent. Install the O-ring in the Housing Tower inside groove.
5. Align the Lever Ball slot with the Spade Pin and position the Gear Shift Lever in the Housing Tower.
6. With dished-side up, install the washer over the ball.



7. Use a large screwdriver or prybar to install the Tension Spring under the Housing Lugs.
8. Remove the Assembly from the Vise.
9. Install a rubber boot over the Gear Shift Lever and against the Housing.

How to Remove the Shift Bar Housing

Special Instructions

The Air Module does not have to be removed in order to remove the Shift Bar Housing.

Special Tools

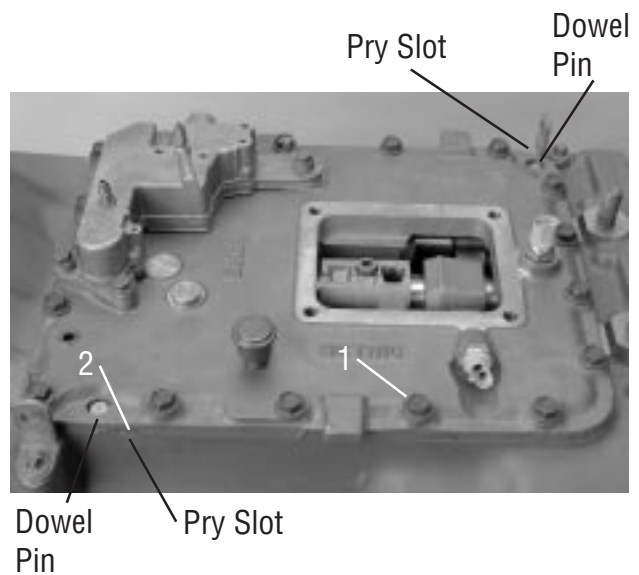
- Typical service tools

Procedure -

1. From the Shift Bar Housing rim, remove the 16 retaining capscrews.
2. Insert a screwdriver into the pry slots near the dowel pins and pry the Housing off the dowel pins.

TIP: Light upward hammering on the three tabs may help loosen the Shift Bar Housing. Do not hammer excessively as the Housing may crack.

3. Lift the Shift Bar Housing straight off the Transmission Case and set it on a bench.
4. Remove the gasket, and clean all mounting surfaces of gasket material.



Transmission Overhaul Procedures - Bench Service

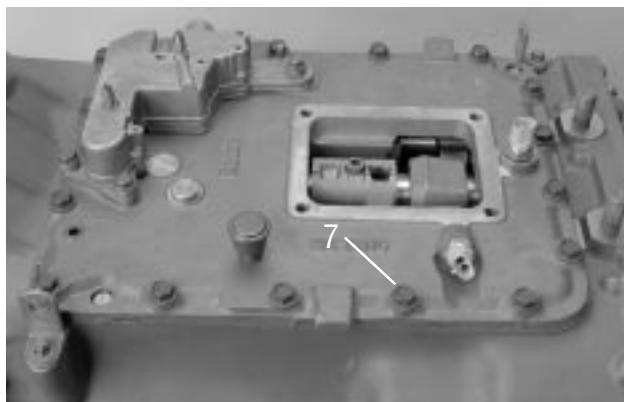
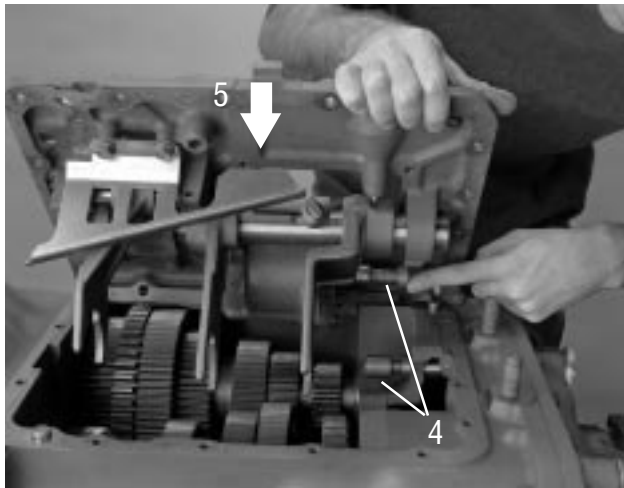
How to Install the Shift Bar Housing

Special Instructions

None

Special Tools

- Torque Wrench, 50 lb. ft. capacity



Procedure -

1. Clean the gasket mounting surface of the Main Case and Shift Bar Housing, and place a new gasket on the Main Case.
2. Place the Shift Bar Housing Shift Shaft in the Neutral position so the Yokes will be positioned to fit over the Mainshaft Sliding Clutches.
3. In the Main Case of the Transmission, place the Mainshaft Sliding Clutches in their neutral positions.
4. If the Auxiliary Section is in place, slide the Range Piston Bar forward or rearward to align the notch in the Piston Bar with the notch in the Range Yoke Bar.
5. With all parts properly aligned, lower the Shift Bar Housing straight down into position. Position can be verified thru Shift Tower opening.
6. Apply Eaton® Fuller® thread sealant #71205 or equivalent to the retaining capscrews.
7. Install the 16 retaining capscrews. Tighten the screws in sequence per numbers on Shift Bar Housing to 40–45 lb. ft. (54–61 N•m) of torque.

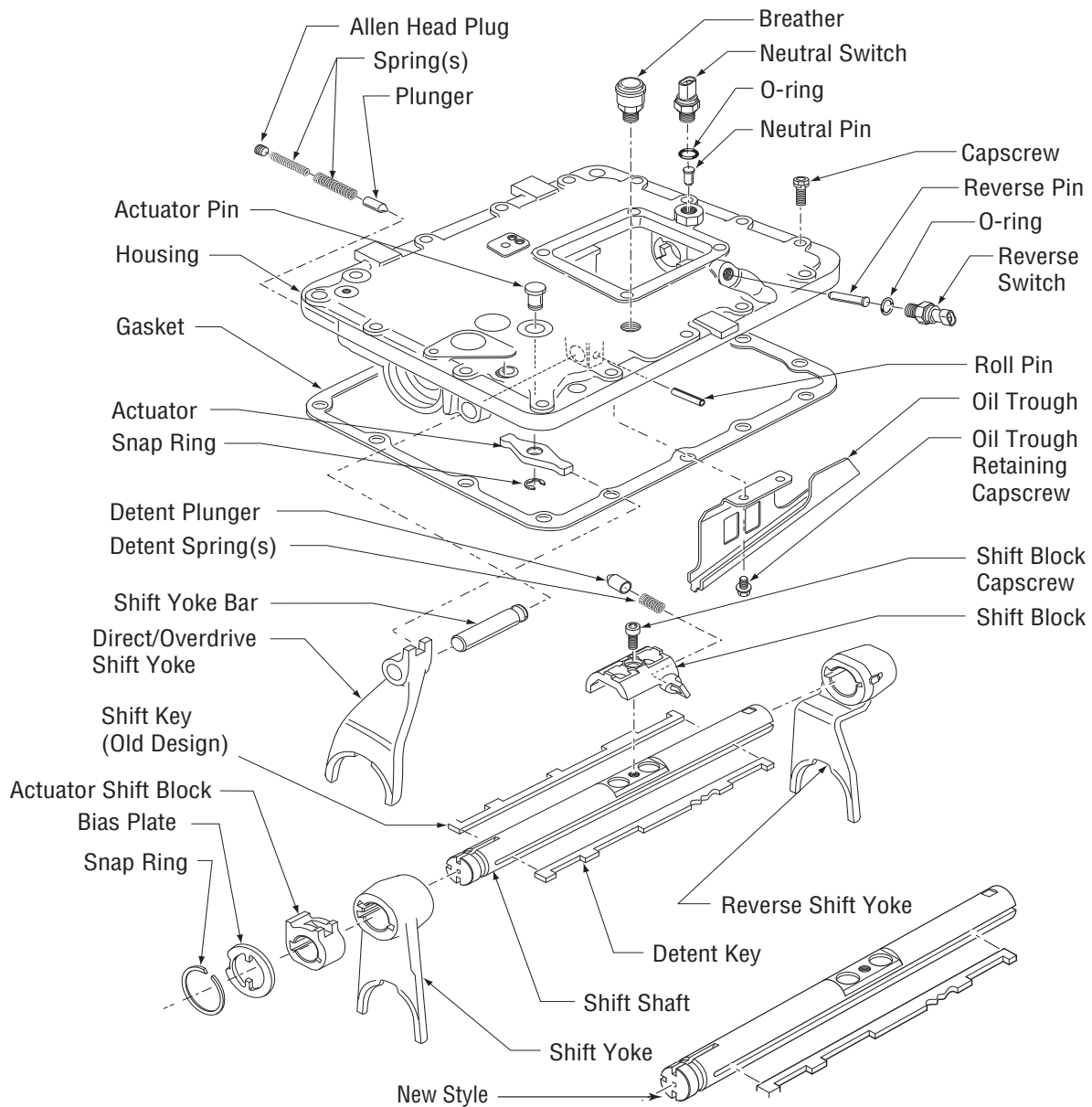
How to Disassemble the Shift Bar Housing

Special Instructions

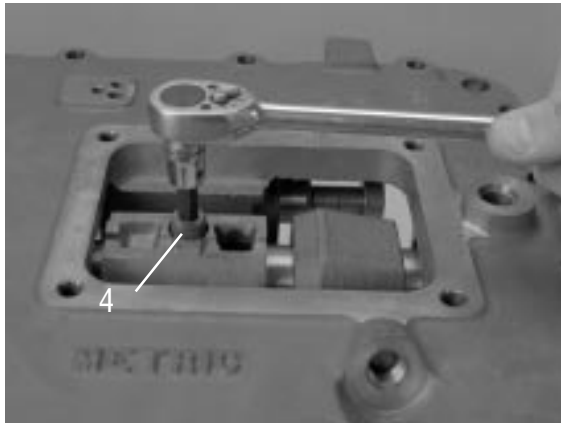
During disassembly, lay all parts on a clean bench in order of removal to facilitate assembly.

Special Tools

- Typical service tools

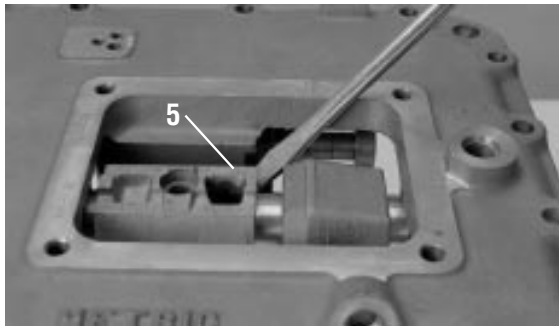


Transmission Overhaul Procedures - Bench Service



Procedure -

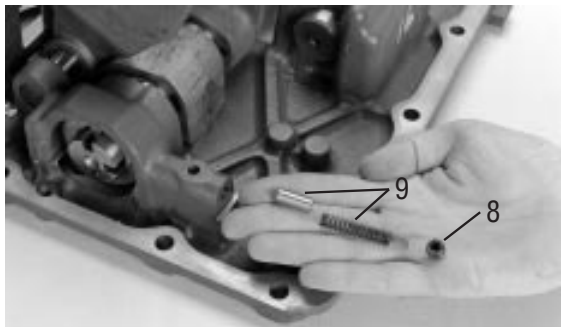
1. If present, remove the Air Module according to the "Air Module Removal" instructions in this section.
2. If present, remove the Reverse and Neutral Switches according to the instructions in In-Vehicle Service Procedures.
3. If present, remove the Breather.
4. Remove the socket head capscrew holding the Shift Block to the Shift Shaft using an 8 mm or 5/16" hex driver.



5. Lightly pry upward on the Shift Block, and remove it.

Note: The Detent Plunger and Spring may fall out of the Shift Block when it is removed. Also, the Shift Block may contain two springs.

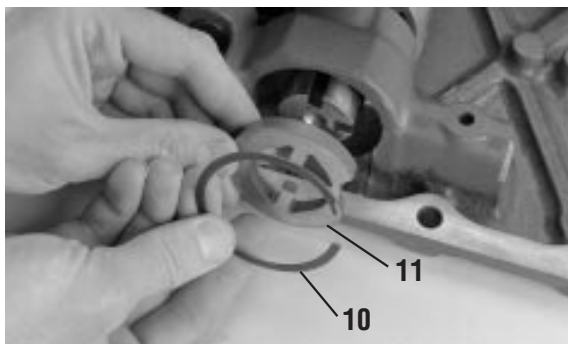
6. Lay the Shift Bar Housing on a bench with the bottom facing upward.
7. If necessary, remove the two Oil Trough retaining capscrews, and remove the Oil Trough.



8. Remove the Allen head plug from the Boss at the front of the Shift Bar Housing.

Note: The front of the Shift Bar Housing is indicated by the word FRONT cast into the Housing itself.

9. Remove the spring(s) and plunger located behind the Allen head plug removed in step 8. Tip the housing to its side so the plunger and spring(s) slide out. Note the color and position of the spring(s).

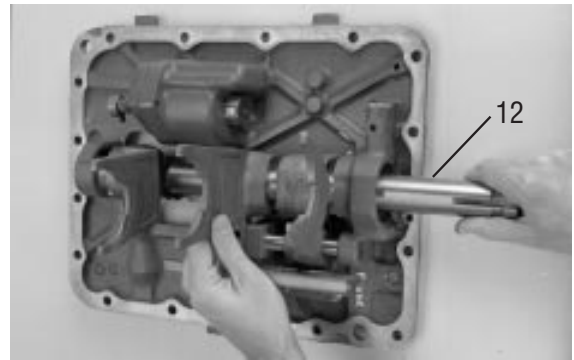


10. At the front of the Shift Bar Housing, remove the snap ring from the Support Boss.

11. From the front of the Shift Shaft, remove the Bias Plate.

Transmission Overhaul Procedures - Bench Service

12. Push or pull the Shift Shaft through the Boss at the front of the Shift Bar Housing to remove it from the Shift Bar Housing.

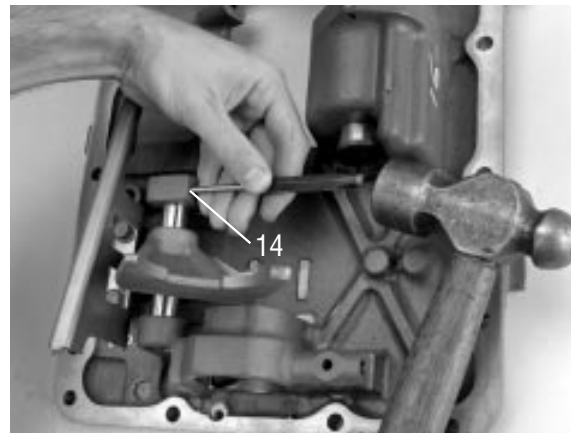


13. Remove the Shift Key, Detent Key, and Shift Yokes.

Note: The new style Shift Bar Housing has the Shift Key built into the Shift Bar.

Note: Steps 14 through 16 are for overdrive models only.

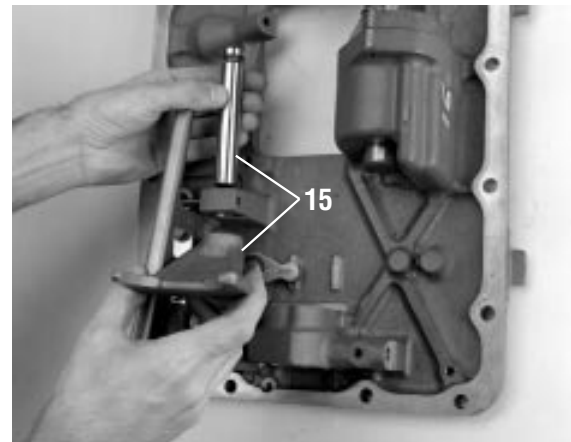
14. Use a pin punch and hammer to drive out the Roll Pin securing the direct/overdrive Shift Yoke.



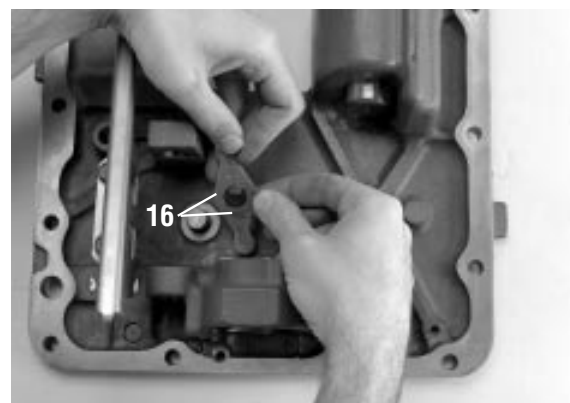
15. Remove the Yoke Bar and direct/overdrive Shift Yoke.

Note: Transmissions built after 8/2008 have an updated Yoke Bar that is held in place by an O-ring during assembly. Once the Shift Bar Housing is placed on the Transmission, the bar is held in place by the Main Case Front Wall and the Front Rail Boss.

IMPORTANT: Yoke bar 4302155 cannot be used with updated Shift Bar Housings that do not have a Roll Pin hole in the rearward Rail Boss.



16. From the Yoke Actuator Pin, remove the Snap Ring and Actuator.



Transmission Overhaul Procedures - Bench Service

How to Disassemble the Range Cylinder

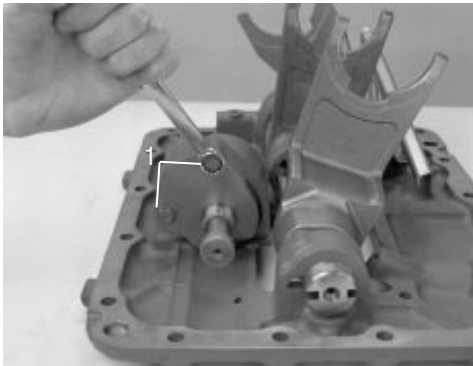
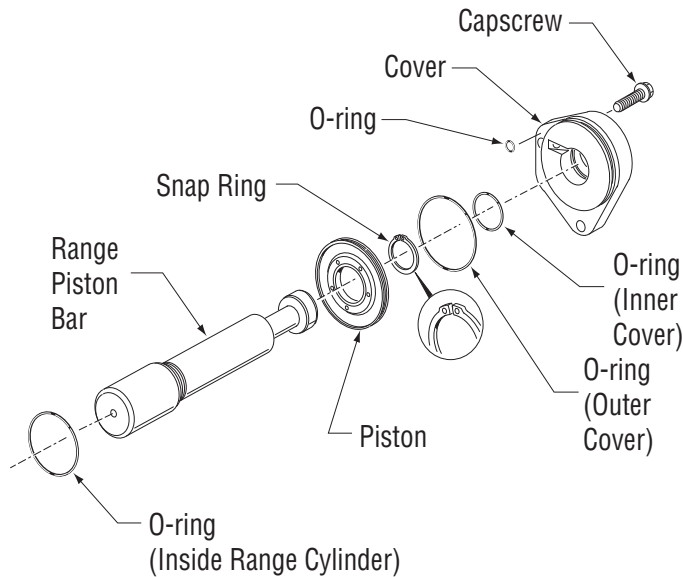
Special Instructions



Do not overstretch the Snap Ring in Step 4. If it is overstretched, it must be replaced.

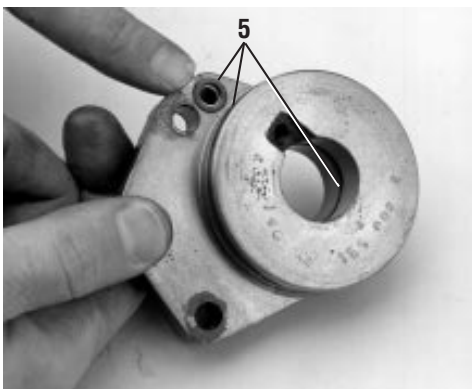
Special Tools

- Typical service tools



Procedure -

1. If not previously removed, remove the Shift Bar Housing.
2. Remove the two (2) capscrews on the Range Cylinder Cover.
3. Using a soft bar, tap the Piston Bar rearward to remove the Range Cylinder Cover and Piston Assembly from the cylinder.
4. Remove the Range Piston Snap Ring and Range Piston from the Piston Bar.
5. Remove the three (3) O-rings on the Cylinder Cover and the single O-ring inside the Range Cylinder.



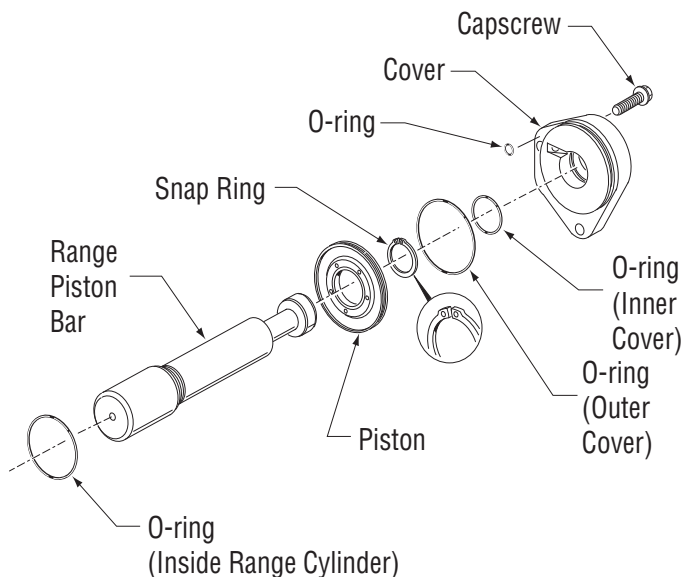
How Assemble the Range Cylinder

Special Instructions

If the Snap Ring fits loosely in its groove, it is overstretched and must be replaced.

Special Tools

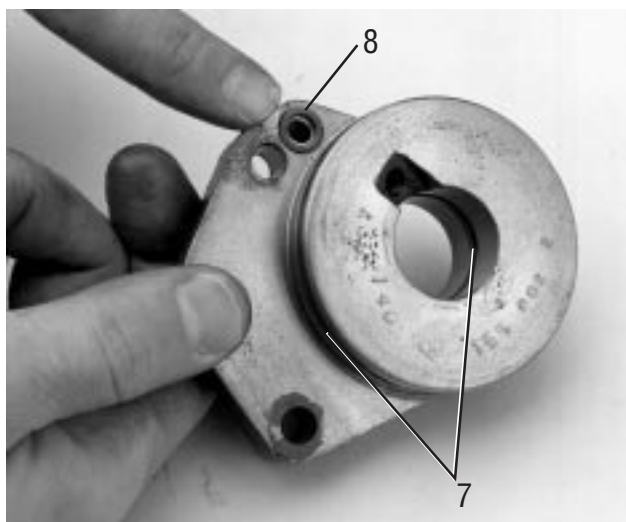
- Torque Wrench, 50 lb. ft. capacity



Procedure -

1. To prevent rusting, lightly lubricate the cylinder bores and Piston Bar with a light oil.
2. Place the Range Cylinder Piston on the Piston Bar with the rubber coated side facing the shoulder on the bar. The Piston is properly installed when the Snap Ring groove is exposed.
3. Install the Snap Ring on the Piston Bar, using care to avoid overstretching the Snap Ring.
4. Apply Eaton®Fuller® silicone lubricant #71206 or equivalent to the Range Piston lip surface and to the four (4) O-rings.
5. Install the proper O-ring in the groove in the Range Cylinder.
6. Install the Range Piston Assembly in the Range Cylinder.

Transmission Overhaul Procedures - Bench Service



7. Install the proper O-ring in the groove on the inside of the Range Cylinder Cover, and install the largest O-ring in the groove on the outside of the Range Cylinder Cover.
8. Place the smallest O-ring in the recess in the Cover, and install the Cover.
9. Apply Eaton®Fuller® thread sealant #71205 or equivalent to the retaining capscrews, and install the two (2) capscrews on the Range Cover. Tighten the capscrews to 20–23 lb. ft. (27–31 N•m) of torque.

How to Assemble the Shift Bar Housing

Special Instructions

Step 1 for Overdrive Models only.

Special Tools

- Torque Wrench, 50 lb. ft. capacity

Procedure -

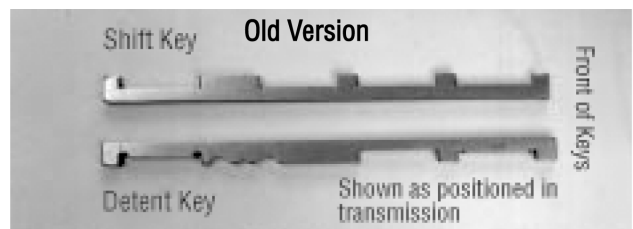
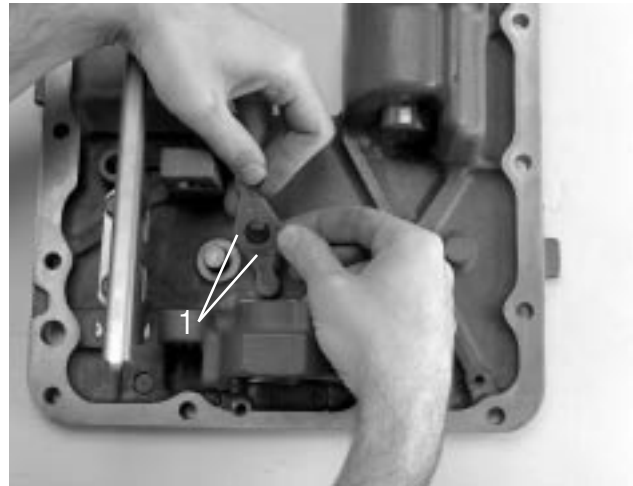
1. Install the Actuator Arm over the Pivot Pin, and secure it with the Snap Ring.

Note: On overdrive models, if the Direct/Overdrive Yoke was not previously removed, install the Oil Trough and temporarily tie the Yoke to the Trough to prevent the Yoke from falling toward the Shift Shaft and interfering with Assembly.

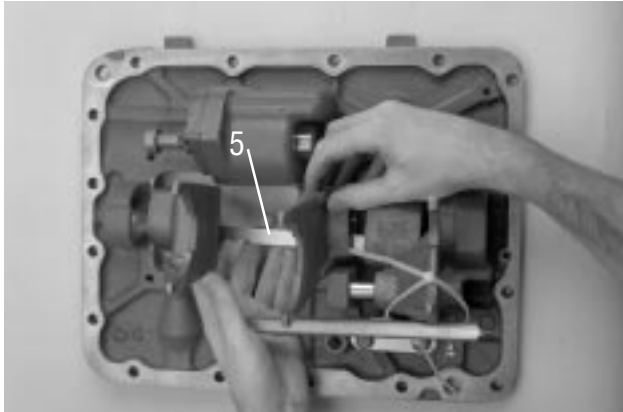
2. Position the housing with the bottom facing upward and the front of the housing (marked FRONT) toward you.
3. To aid assembly, lightly oil the inside of the Shift Yokes, Overdrive Shift Block, Shift Key, Detent Key, and the inside of the Shift Shaft bores on the Shift Bar Housing.

Note: The Shift Key is part of the Shift Bar on newer models. The two housings have different parts, which requires a complete Shift Bar Housing, Shift Bar and Shift Key if anything.

4. Position the Shift Yokes (and Actuator Shift Block for overdrive models) in the approximate position in the Shift Bar Housing that they will be in when the Shift Shaft is installed. Make sure the Yokes are installed with the word FRONT facing the front of the Shift Bar Housing.



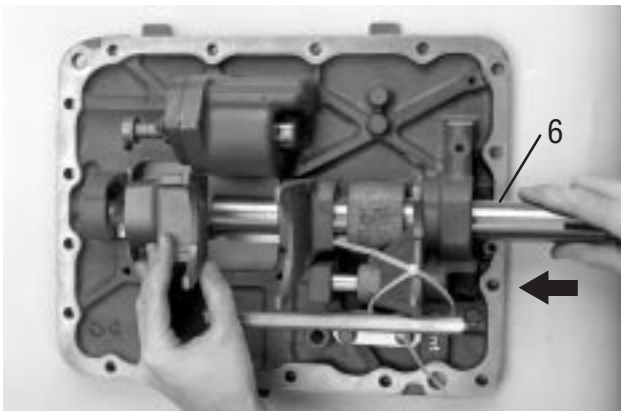
Transmission Overhaul Procedures - Bench Service



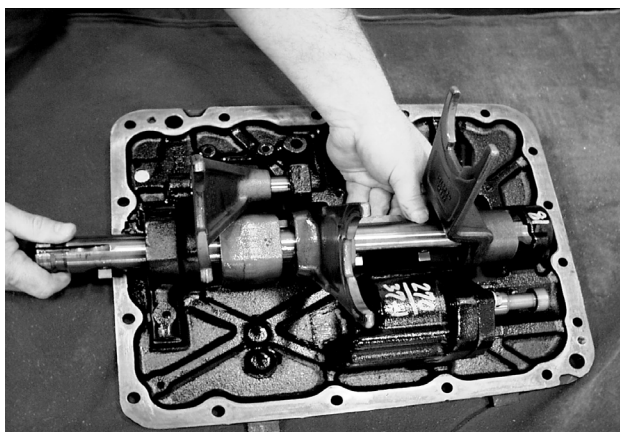
5. Install the Detent Key (it has rounded, protruding notches) from the front of the Shift Bar Housing. Install the Key with the word FRONT facing the front of the Shift Bar Housing. To install the key, slide it down the left side of the Shift Shaft bore and through each Shift Yoke (and Actuator Shift Block). One of the rectangular notches should fit in each yoke (and the Shift Block). The key fits between the front and rear bores of the Shift Bar Housing. The three notches face away from the centerline of the bore.

⚠ CAUTION

Do not hammer or force the Shift Shaft into position. The Shift Bar Housing components will be damaged. When all the components are in the proper positions, the Shift Shaft will slide in easily. Try to keep the Shift Yokes in the neutral position when installing the Detent Key.



6. Starting at the front of the Shift Bar Housing, slide the Shift Shaft into position, making sure the capscrew hole in the Shift Shaft faces downward. Use one hand to hold and position the Detent Key and Yokes and the other to insert the Shift Shaft. The Detent Key fits in the groove on the Shift Shaft.



7. Newer models have the Shift Key built into the Shift Bar. Installation procedures are the same, with the exception of installing a separate Shift Key.

⚠ CAUTION

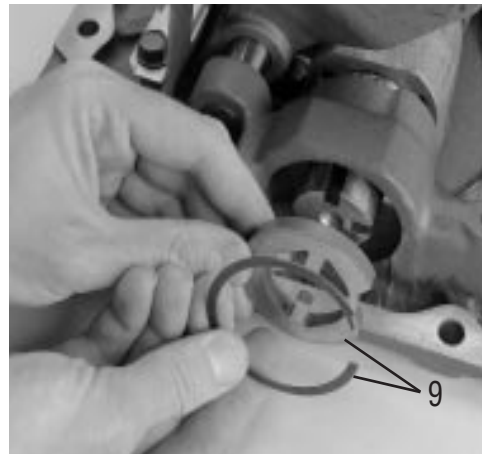
A new Shift Bar Housing and Shift Bar are required if either part is being replaced with the new updated version.

Note: Do not allow the Detent Key to slide rearward into the Shift Bar Housing bore. It should butt against the Boss.

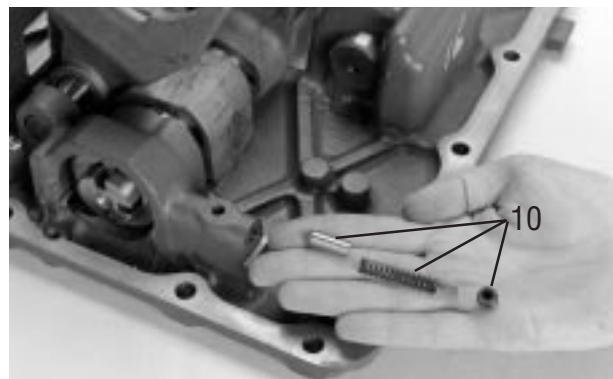
8. If necessary, reposition the Shift Shaft Yokes (and Actuator Shift Block) in the Neutral position by aligning the Detent Key notches with the Yokes (and Actuator Shift Block).

Transmission Overhaul Procedures - Bench Service

9. On the Shift Bar front, install the Bias Plate and Snap Ring. To properly install the Bias Plate and Snap Ring, the Shift Shaft or Shift Key (depending on housing type) may need to be pushed rearward. Install with letters facing out.



10. Apply Eaton®Fuller® thread sealant #71205 or equivalent to the Allen head plug threads, and install the Bias Plunger, Bias Spring(s), and Allen head plug. Torque the Allen head plug to 84–120 lb. in. (9.5–13.6 N•m).

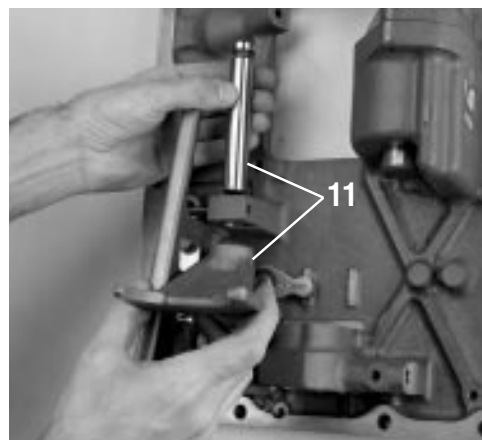


11. If previously removed, position the Direct/Overdrive Shift Yoke and Yoke Bar in the Shift Bar Housing.
12. Install the Yoke Bar Roll Pin, and drive it into place.

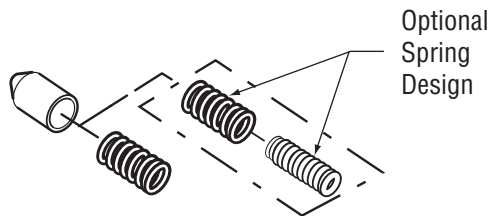
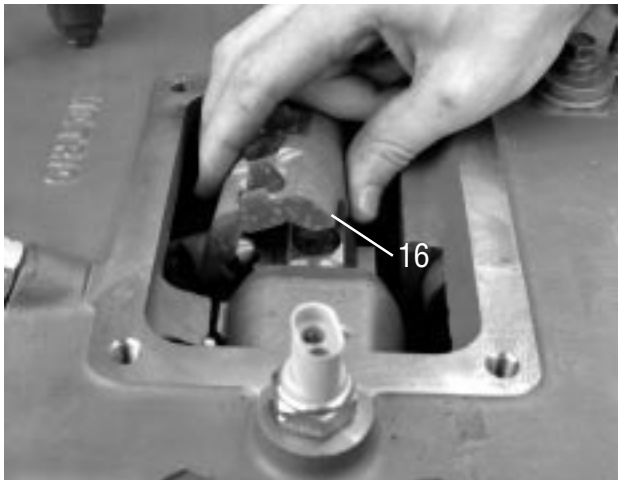
Note: Transmissions built after 8/2008 have an updated Yoke Bar that is held in place by an O-ring during assembly. One the Shift Bar Housing is placed on the Transmission, the bar is held in place by the Main Case Front Wall and the Front Rail Boss.

IMPORTANT: Yoke bar 4302155 cannot be used with updated Shift Bar Housings that do not have a Roll Pin hole in the rearward Rail Boss.

13. If previously removed, position the Oil Trough, and install the Oil Trough retaining capscrews. Torque the capscrews to 20–23 lb. ft. (27–31 N•m).
14. Turn the Shift Bar Housing over so the Shift Block can be installed.
15. Place the Detent Spring(s) and Detent Plunger in the Shift Block.

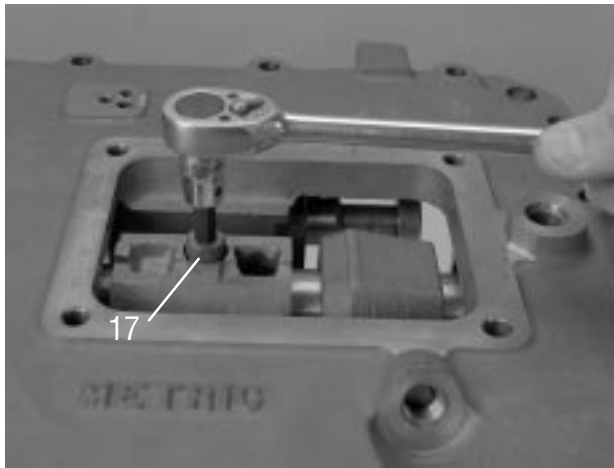


Transmission Overhaul Procedures - Bench Service



16. Place the Shift Block on the Shift Shaft using the following procedure:
 - a. Tilt the Shift Block so the plunger faces slightly upward.
 - b. Place the plunger in the center of the detent notch, and press the plunger in to compress the spring(s).
 - c. While the spring(s) are compressed, roll the Shift Block into place on the Shift Shaft.

Note: The Shift Shaft and Shift Key may (depending on housing type) require repositioning to allow the Shift Block to fit into place.



17. Apply Eaton Fuller thread sealant #71205 or equivalent to the capscrew. Install the Shift Block capscrew. Torque the screw to 40–45 lb. ft. (54–61 N•m).

18. Install the following components: Reverse Pin and Switch, Neutral Pin and Switch, Breather, and Air Module.

How to Remove the Input Shaft Assembly (without Main Case disassembly)

Special Instructions

None

Special Tools

- RR1023TR Input Shaft Bearing Puller
- RR1019TR Hand Maul

Procedure -

1. From the Front Bearing Cover, remove the six (6) retaining capscrews and Cover. Remove any remaining gasket material from the Case and Cover.



2. If present, remove and discard the rubber seal ring on the Input Shaft. The ring is used only to seal the Transmission during shipment.



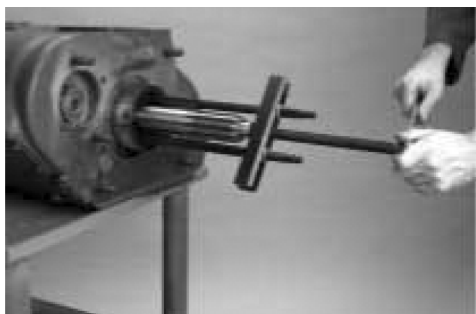
3. From the Input Shaft groove, remove the bearing retaining snap ring.



Transmission Overhaul Procedures - Bench Service



4. Use a RR1019TR Hand Maul to drive the Input Shaft toward the case rear as far as possible. Pull the Input Shaft forward.



5. Install the RR1023TR Input Shaft Bearing Puller and remove the Input Bearing.



6. Remove the Drive Gear Internal Snap Ring.



7. Pull the Input Shaft forward and out of the Drive Gear.
8. Inspect the bushing in the Input Shaft pocket, replace if damaged.

How to Install the Input Shaft Assembly (without Main Case disassembly)

Special Instructions

None

Special Tools

- RR1005TR Input Bearing Driver
- RR1019TR Hand Maul

Procedure -

1. If necessary, install the bushing in the back of the Input Shaft.
2. From the front, engage the Input Shaft spline teeth into the Main Drive Gear.
3. Install the Snap Ring in the Main Drive Gear inside groove.
4. With the bearing external snap ring to the outside, position the bearing on the Input Shaft.



Transmission Overhaul Procedures - Bench Service



5. Use RR1005TR Input Shaft Bearing Driver and RR1019RR Hand Maul to install bearing on Input Shaft. The bearing will be fully seated when the Retaining Snap Ring can be installed on the Input Shaft.



6. Install the Input Shaft Retaining Snap Ring.



7. Install the Front Bearing Cover and torque the six capscrews to specifications.

How to Remove the Auxiliary Section

Special Instructions

None

Special Tools

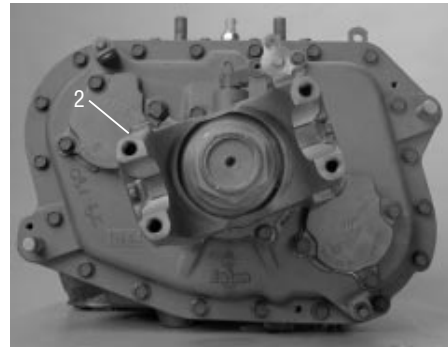
- RR1006TR Auxiliary Section Lifting Bracket
- RR1002TR Auxiliary Countershaft Support Straps
- Output Yoke Puller

Procedure -

1. If not previously removed, remove the Shift Bar Housing according to the "Shift Bar Housing Removal" instructions in this section.
2. If not previously removed, remove the Output Yoke according to the following instructions:
 - a. Remove the Output Nut using a 70 mm or 2-3/4" socket.

Note: To prevent the Output Shaft and Yoke from rotating while removing the nut, shift the Transmission into two gears or use a Yoke holding tool.

- b. Remove the Output Yoke. Use Yoke Puller if needed.



▲ IMPORTANT

If the Shift Bar Housing is still installed, the following two Steps must be performed before removing the Auxiliary Section.

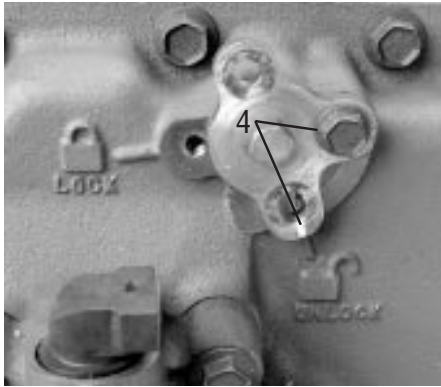
This only applies to units with the Lock Cover. New units do not contain the Cover and require removal of the Shift Bar Housing to remove the Auxiliary Section.

3. Remove the two capscrews from the Range Bar Lock Cover (only applies if it's the old style cover).

Note: Left is old style and right is the new style.

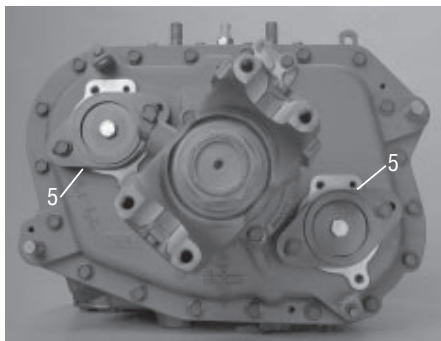


Transmission Overhaul Procedures - Bench Service

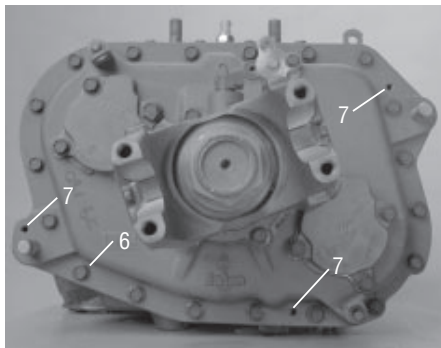


4. Rotate the Lock Cover counterclockwise until the indication notch lines up with the unlock symbol, and secure the cover in position by inserting one of the capscrews into the right-side hole.

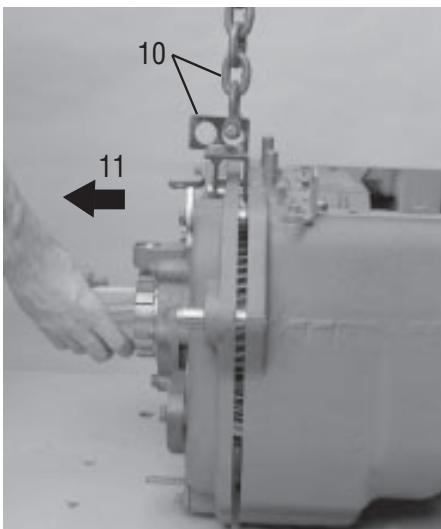
Note: The dowel pins may have to be driven forward and removed to assist in the removal of the Auxiliary Section.



5. Remove Auxiliary Countershaft Bearing Covers, shims and gaskets. Install RR1002TR Auxiliary Countershaft Support Straps.



6. Remove the 19 capscrews securing the Auxiliary Section to the Main Case.
7. Run a M10x1.5 tap into the three threaded pusher holes in the Auxiliary Section Flange to clean paint, rust, and other debris from the holes. Oil the holes.
8. Thread three (3) capscrews evenly into the three pusher holes on the Auxiliary Section Flange to break the gasket seal.
9. Continue threading the capscrews in until the housing is moved rearward 1/4," and then remove the pusher screws.



10. Install RR1006TR Auxiliary Section Lifting Bracket and attach chain.
11. Using the chain to support the weight of the Auxiliary Section, move the Auxiliary Section rearward until it is free of the Main Case.

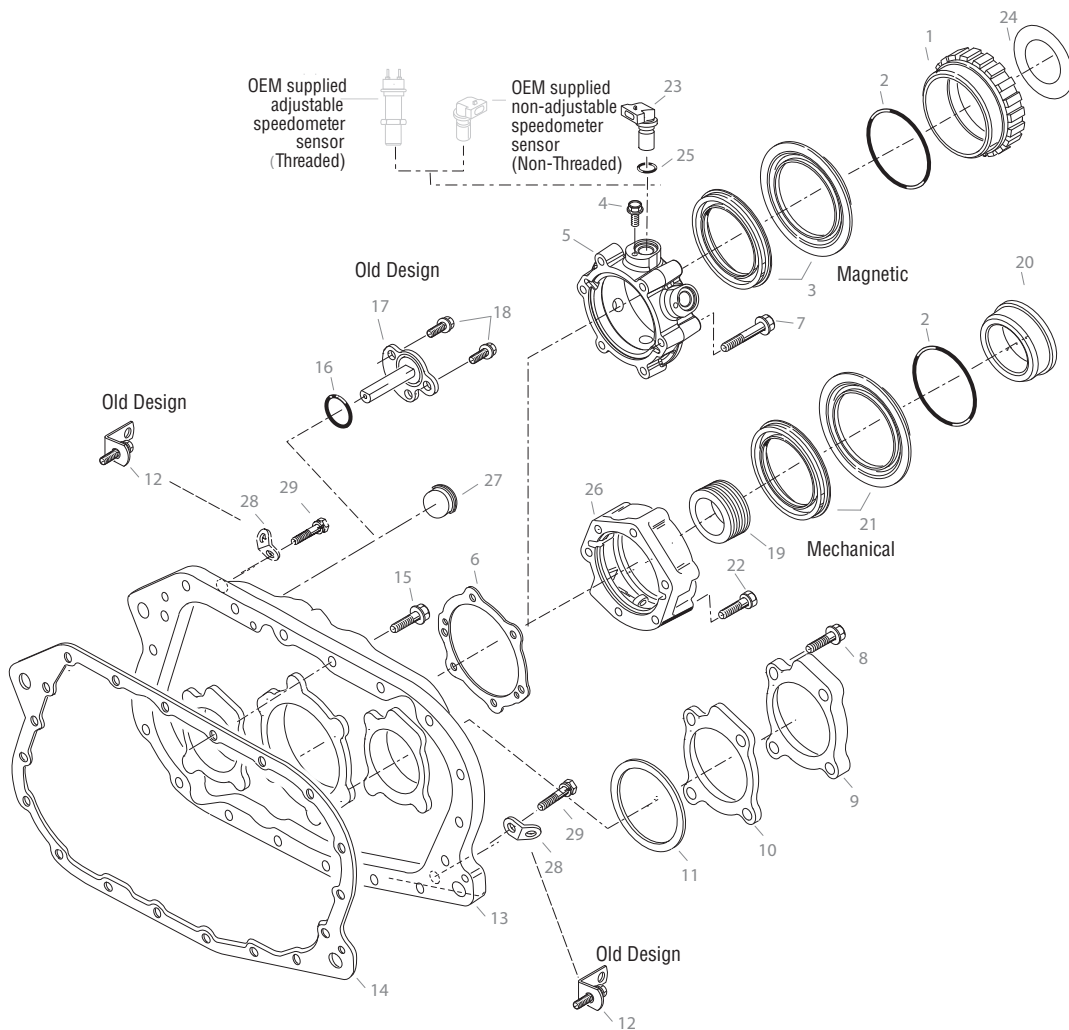
How to Disassemble the Auxiliary Section

Special Instructions

None

Special Tools

- Typical service tools



1. Speedometer Rotor Assembly
2. O-Ring
3. Oil Seal Kit
4. Capscrew
5. Rear Bearing Cover Assembly
6. Gasket
7. Capscrew
8. Capscrew
9. Cover
10. Gasket

11. Shim Kit
12. Lifting Eye Kit
13. Rear Housing Assembly
14. Gasket
15. Capscrew
16. O-Ring
17. Range Bar Cover Assembly
18. Screw
19. Speedometer Drive Gear
20. Speedometer Spacer Assembly

21. Oil Seal with Slinger
22. Screw
23. Speedometer Sensor Kit
24. Slinger
25. O-Ring
26. Rear Bearing Cover Assembly
27. Plug Retaining Kit
28. Lifting Kit
29. Capscrew

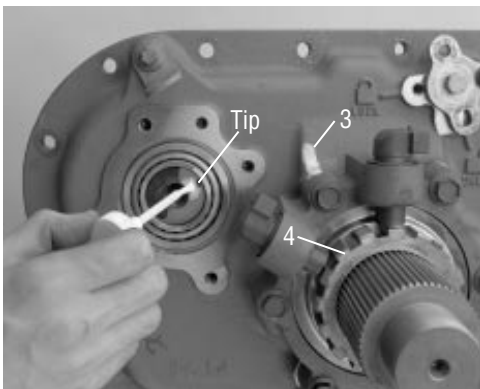
Transmission Overhaul Procedures - Bench Service

Procedure -

1. Mount the Auxiliary Section in a vise with brass jaw protectors. (The jaw protectors will prevent damage to the Auxiliary Section Flange.)

Note: If the Auxiliary Countershafts, Countershaft Bearings, Bearing Races, Bearing Shims, Auxiliary Section Housing, and Main Case will be reused, remove one of the Countershaft Bearing Covers and mark the parts as Upper Shaft or Lower Shaft. Then if the Countershafts are reassembled with all parts in their original positions, the original shims can be reused, and re-shimming will not be required.

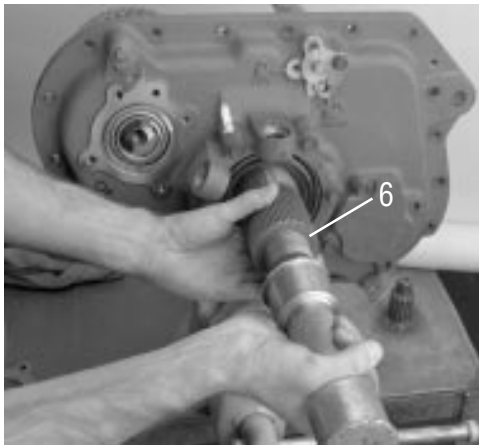
2. If not previously removed, remove the Output Yoke Nut and Output Yoke. To remove the nut, use a large air impact wrench or a breaker bar and a 70 mm or 2 3/4" socket. To prevent the Output Shaft from turning, place a shop rag in the gear mesh or use a yoke holding tool.
3. Mark the Output Bearing Cover and the rear of the housing in such a way that you will know what position to install the Bearing Cover later. The cover can be installed in two opposite positions.
4. Remove the Speedometer Rotor/Seal Sleeve.
5. Remove the O-ring from the Output Shaft.



⚠ WARNING

As you move the Output Shaft forward, the Auxiliary Counter shafts may fall out of the Auxiliary Section Housing causing personal injury or damage to the Countershafts.

6. Using a maul, move the Output Shaft forward far enough to remove the Auxiliary Countershafts.
7. Remove the Range Synchronizer Assembly and Range Yoke Assembly from the Output Shaft.
8. Continue moving the Output Shaft Assembly forward until it is free of the Auxiliary Section Housing.
9. Remove the four (4) capscrews from each of the Auxiliary Housing Countershaft Rear Bearing Covers.
10. From each Auxiliary Countershaft, remove the Auxiliary Countershaft Rear Bearing Cover, gasket, and shim.
11. Remove the Auxiliary Countershaft Bearing Races.



Transmission Overhaul Procedures - Bench Service

12. From the Auxiliary Housing back, remove the capscrews securing the Lock Cover.
13. Remove the Lock Cover and remove the O-ring from the Cover.
14. From the Auxiliary Housing rear, remove the Output Bearing retaining capscrews and cover.
15. To remove the Output Seal, drive the seal out the rear of the Output Bearing Cover with a hammer and drift.
16. Remove the Output Bearing and Bearing Cup.

Transmission Overhaul Procedures - Bench Service

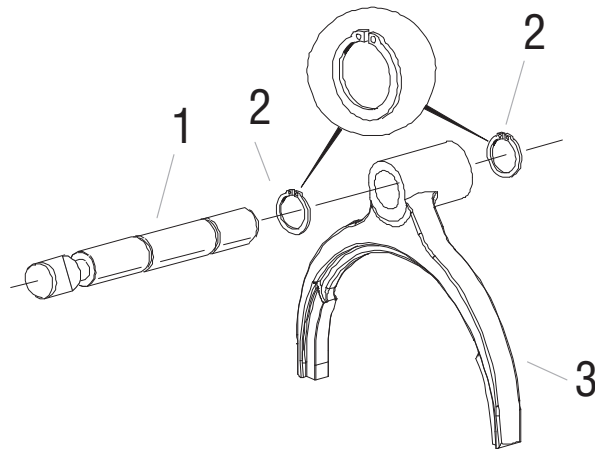
How to Disassemble the Range Yoke

Special Instructions

None

Special Tools

- Typical service tools



1. Yoke Bar
2. Snap Ring
3. Range Yoke

Procedure -

1. Remove the Range Bar O-ring.
2. Remove the Range Bar Pin.
3. Remove one of the Range Yoke Snap Rings, using care to avoid overstretching the Snap Ring.
4. Remove the Range Yoke from the Range Yoke Bar.

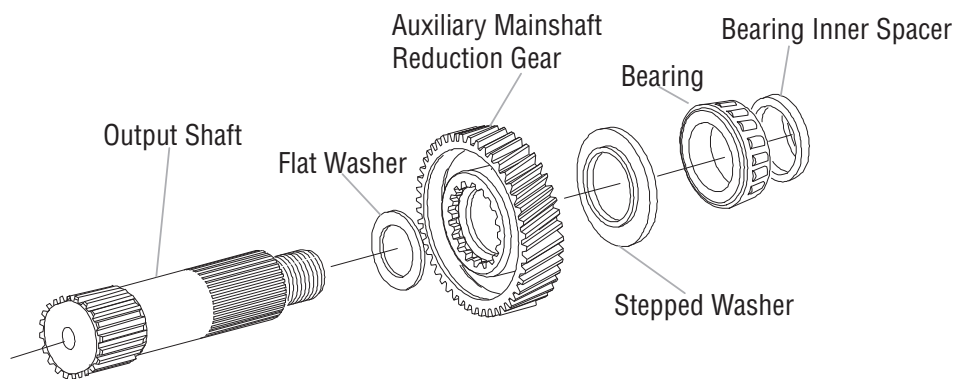
How to Disassemble the Output Shaft

Special Instructions

None

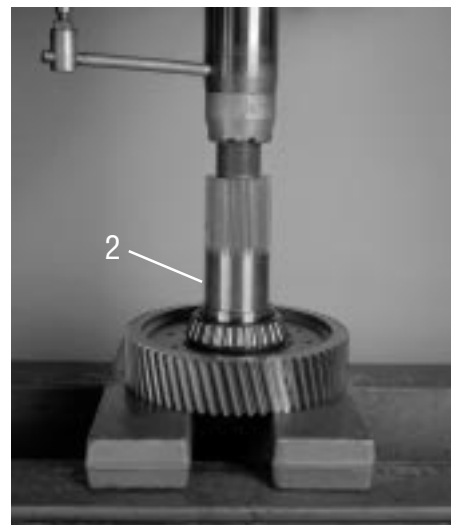
Special Tools

- Press



Procedure -

1. From the Output Shaft, remove the Output Bearing Inner Spacer.
2. Using the Output Shaft Assembly Gear front face as a base, press the Output Shaft through the Bearing and Gear.



Transmission Overhaul Procedures - Bench Service

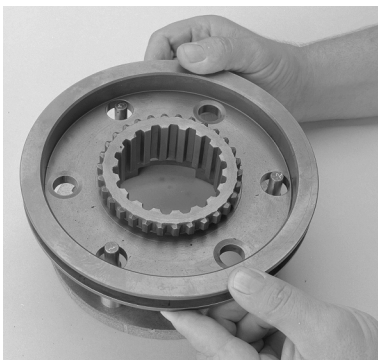
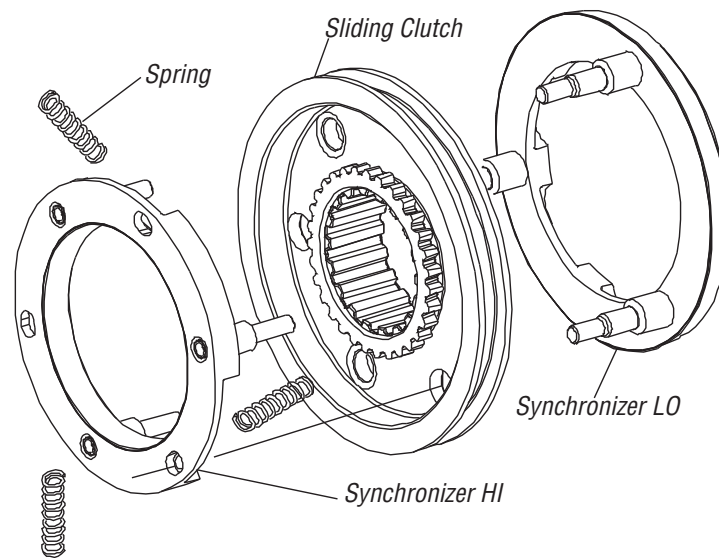
How to Disassemble the Synchronizer Assembly

Special Instructions

Place the Synchronizer Assembly on a clean, flat surface. Cover the Synchronizer Assembly with a shop rag to prevent losing the three (3) springs under pressure from the HI Range Synchronizer Pin locations.

Special Tools

- Typical service tools



Procedure -

1. Place the larger LO Range Synchronizer Ring on the bench.
2. Cover the Synchronizer with a shop rag to contain the springs.
3. Grab both sides of the HI Range Synchronizer and pull.
4. From the Synchronizer Ring LO Range Pins, remove the Sliding Clutch.

How to Assemble the Synchronizer Assembly

Special Instructions

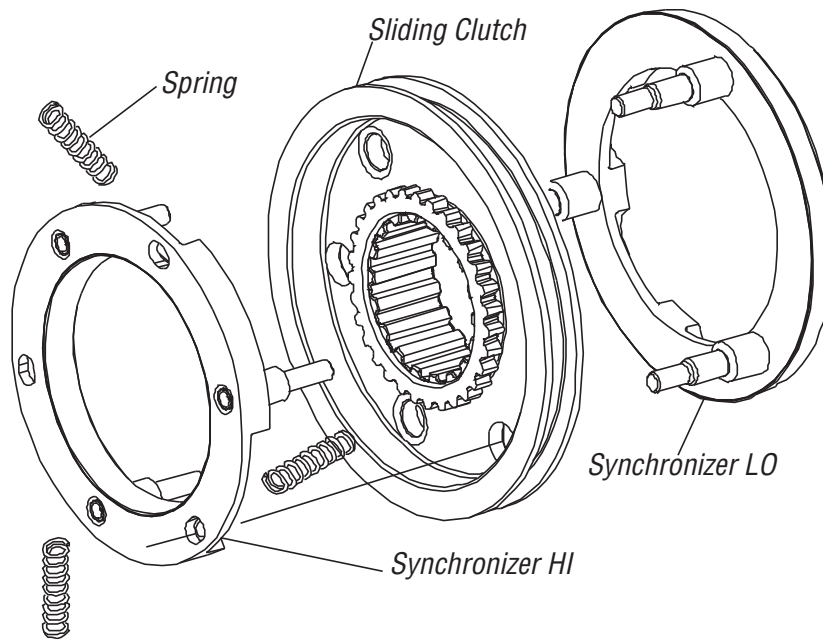
Assembly should be done on a clean, flat surface slightly lower than your waist.

Pins on the LO Range Synchronizer must line up with the chamfered holes on the Sliding Clutch bottom.

When compressing the HI Range Synchronizer Springs Cover with a shop rag. In the event compression is not achieved the first time, this prevents the springs from leaving the bench area.

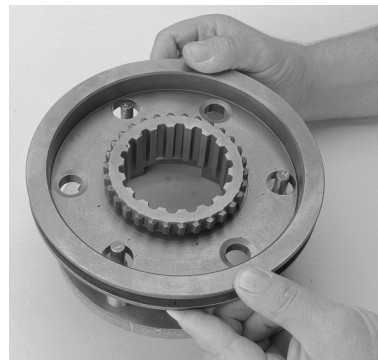
Special Tools

- Typical service tools

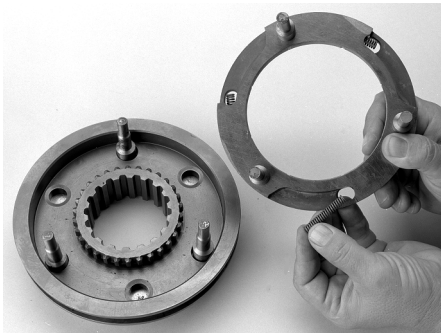


Procedure -

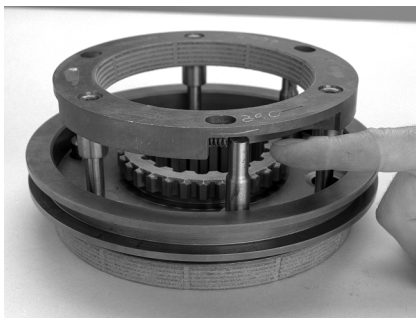
1. On the bench place the larger LO Range Synchronizer Ring face down with Pins up.
2. With the Sliding Clutch recessed side up, place the Sliding Clutch on the LO Range Synchronizer Pins.



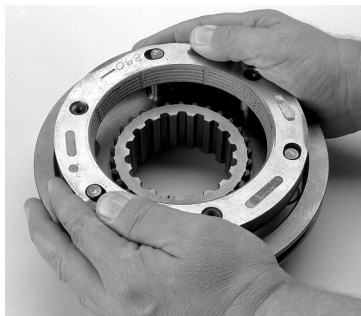
Transmission Overhaul Procedures - Bench Service



3. In the HI Range Synchronizer bores, install the three (3) springs.



4. Place the HI Range Synchronizer Ring over the LO Range Synchronizer Ring. Rotate the HI Range Synchronizer until the springs are seated against the Pins.



5. Cover the assembly with a shop rag.
6. Apply downward pressure to the HI Range Synchronizer Ring while twisting counterclockwise. This compresses the springs to fully seat HI Range on the LO Range Synchronizer. This should be done with a rapid twist and push motion.

Note: Make sure there are three springs and they are fully compressed.

Note: Make sure you can move the Sliding Clutch from HI Range to LO Range and back.

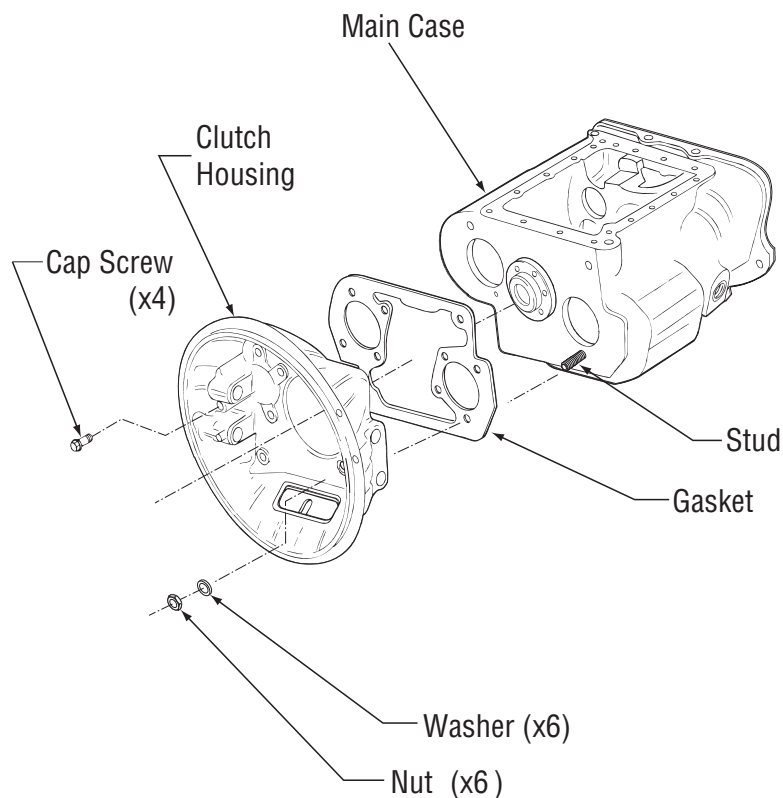
How to Remove the Clutch Housing

Special Instructions

None

Special Tools

- Typical service tools



Procedure -

1. From inside the Clutch Housing, remove the six (6) nuts and washers.
2. From inside the Clutch Housing, remove the four (4) capscrews.
3. Jar the Clutch Housing with a soft mallet to break the gasket seal.
4. Pull the Clutch Housing from the studs and Transmission Case.
5. Remove the gasket and clean the gasket mounting surfaces on the Clutch Housing and Main Case.

Transmission Overhaul Procedures - Bench Service

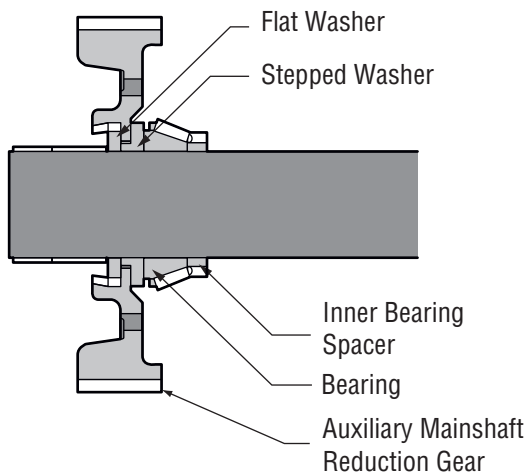
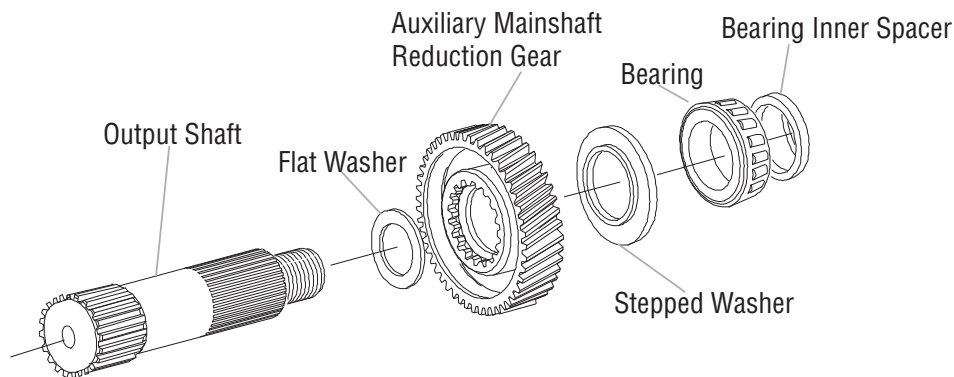
How to Assemble the Output Shaft

Special Instructions

The Output Shaft is the same as the Auxiliary Main Shaft. For the purpose of this manual, it will always be referred to as the Output Shaft.

Special Tools

- Bearing Heater
- RR1024TR Output Bearing Driver



Procedure -

1. Use Toolmaker's Dye and mark one tooth on the Auxiliary Mainshaft Reduction Gear. Repeat the procedure for the tooth directly opposite the first one marked.
2. Stand the Output Shaft on a flat surface with the threaded end up.
3. Slide the Flat Washer onto the Output Shaft.
4. With the Auxiliary Mainshaft Reduction Gear Clutching Teeth down, slide the Gear onto the Output Shaft.
5. With the smooth side up, slide the Stepped Washer onto the Output Shaft and against the Reduction Gear.

CAUTION

Output Bearing Assemblies are matched sets. DO NOT mix bearing parts from one Assembly with a different Bearing Assembly or the bearings will be damaged.

If using heat to install the bearings, do not heat bearings above 275 °F (136 °C) or they will be damaged.

6. With tapered side up, use heat or an appropriate driver to install the Output Shaft Bearing Cone (with the long rollers) tightly against the Stepped Washer.
7. Place the Bearing Inner Spacer on the Output Shaft.

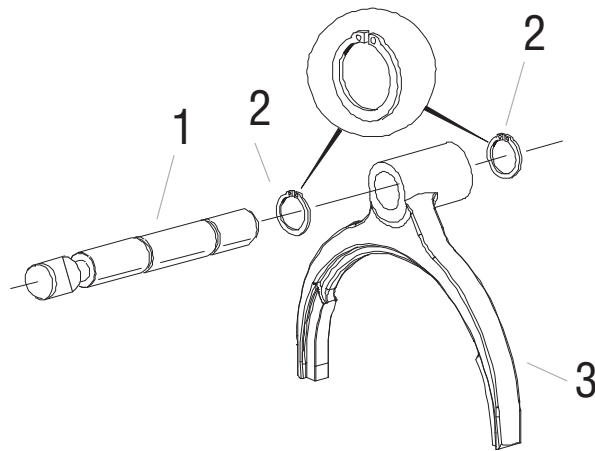
How to Assemble the Range Yoke

Special Instructions

None

Special Tools

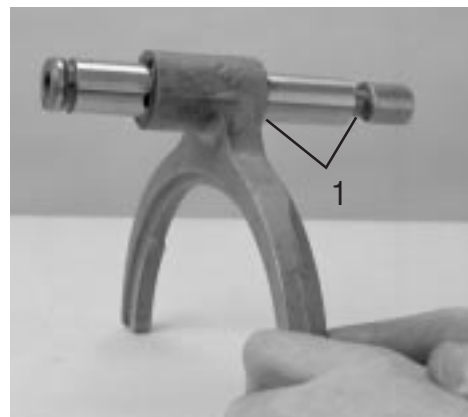
- Typical service tools



1. Yoke Bar
2. Snap Ring
3. Range Yoke

Procedure -

1. Install the Range Yoke on the Range Yoke Bar. The flat side of the Range Yoke should be toward the notched end of the Range Yoke Bar.
2. Install the Range Yoke Snap Rings in the grooves on each side of the Range Yoke. Make sure the Snap Rings fit tightly and are not overstretched. If they are loose, replace them.
3. Install the Round Pin in the Range Yoke Bar.
4. Install the Range Yoke Bar O-ring in its groove to hold the Pin in place.



Transmission Overhaul Procedures - Bench Service

How to Disassemble the Auxiliary Countershaft

Special Instructions

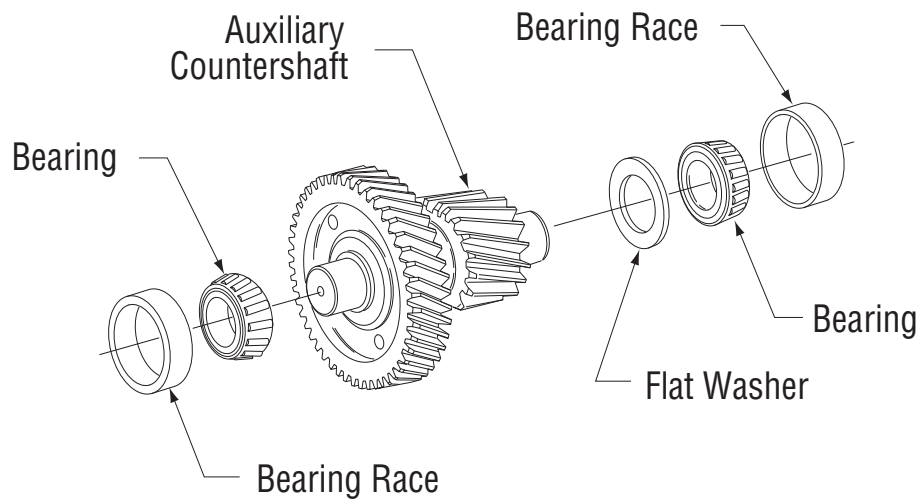


Do not use a Puller against the Flat Washer on the rear of the Countershaft when removing the Bearing. The washer will break.

Bearing removal will likely damage the bearings. If the bearings are damaged in any way upon removal, do not reuse them.

Special Tools

- Bearing Splitter
- Bearing Puller



Procedure -

1. Use a Bearing Puller to remove the Bearings. It may be necessary to cut and remove the Steel Cage and Rollers from the Bearings to allow a Bearing Puller to fit correctly.

How to Remove the Auxiliary Countershaft Bearing Races

Special Instructions

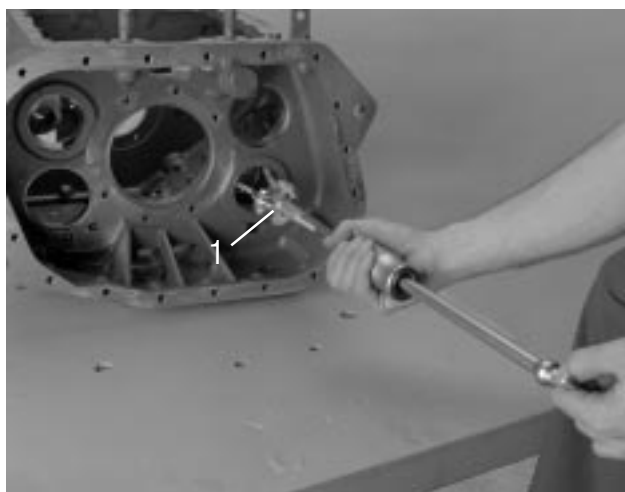
None

Special Tools

- RR1010TR Slide Hammer
- RR1011TR-3 Slide Hammer Attachment

Procedure -

1. Use Slide Hammer RR101TR and Attachment RR1011TR-3 to pull Bearing Races from Transmission Main Case.



Transmission Overhaul Procedures - Bench Service

How to Install the Auxiliary Countershaft Bearing Races

Special Instructions

None

Special Tools

- Typical service tools
- Bearing Race Driver



Procedure -

1. Using a Bearing Race Driver, install the Auxiliary Countershaft Bearing Races into their respective bores from the rear of the Main Case.

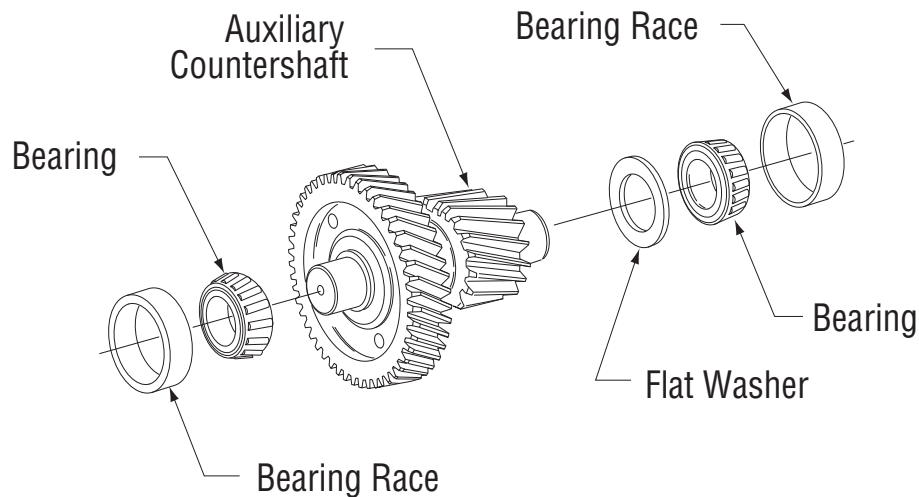
How to Assemble the Auxiliary Countershaft

Special Instructions

None

Special Tools

- RR1012TR-5 Bearing Driver
- RR1019TR Hand Maul



Procedure -

1. Install a Washer on the rear of the Countershaft.
2. Using a RR1012TR-5 Bearing Driver and RR1019TR Hand Maul, drive a new Bearing onto the rear of the Countershaft. Make sure the Driver contacts the Inner Race only.
3. Using a RR1012TR-5 Bearing Driver and RR1019TR Hand Maul, drive a new Bearing onto the front of the Countershaft.

Transmission Overhaul Procedures - Bench Service

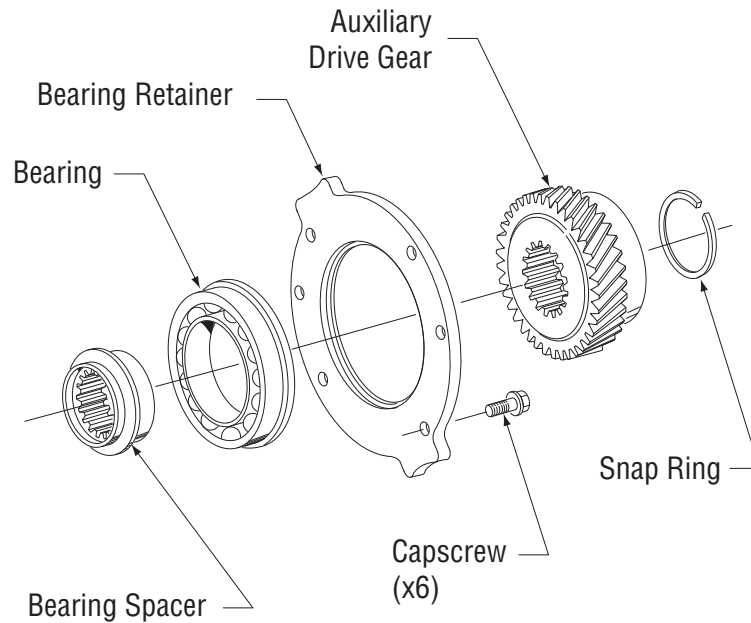
How to Remove the Auxiliary Drive Gear Assembly

Special Instructions

None

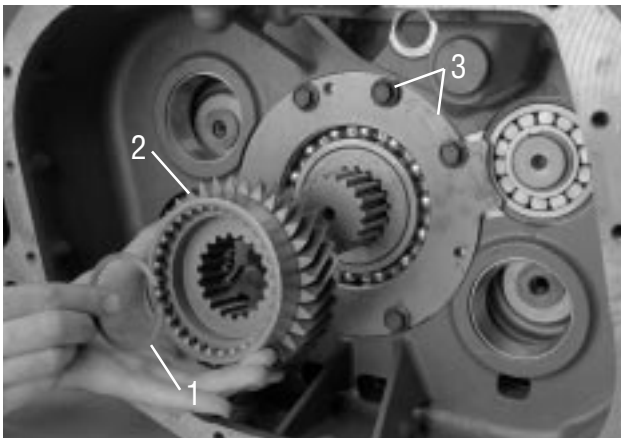
Special Tools

- Typical service tools



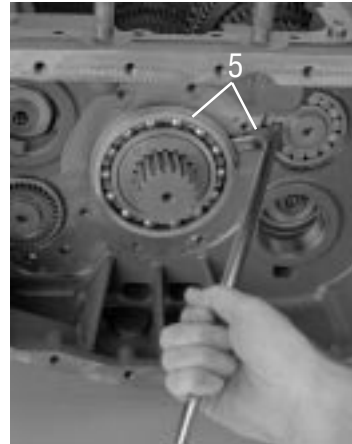
Procedure -

1. Remove the Snap Ring at the rear of the Mainshaft.
2. Slide the Auxiliary Drive Gear off the Mainshaft.
3. Remove the six (6) Auxiliary Bearing Retainer Ring Capscrews and Bearing Retainer Ring.



Transmission Overhaul Procedures - Bench Service

4. Insert a large screwdriver into the front section gearing. Use the screwdriver to slide the Mainshaft and Mainshaft Rear Bearing rearward.
5. Use a rolling head prybar to work the Mainshaft Rear Bearing out of the bore.
6. If the Bearing must be replaced, press the Inner Spacer from the Auxiliary Bearing.



Transmission Overhaul Procedures - Bench Service

How to Disassemble the Upper and Lower Reverse Idler Gear Assembly

Special Instructions

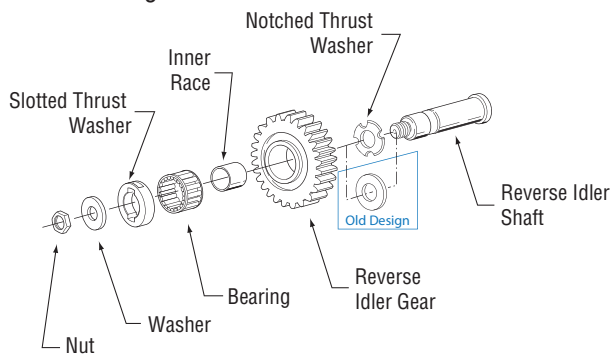
The new Reverse Idler Shaft uses a Snap Ring on the front in place of the capscrew.

Lower Reverse Idler Gear removal is the same, but the Mainshaft and Countershafts must be removed.

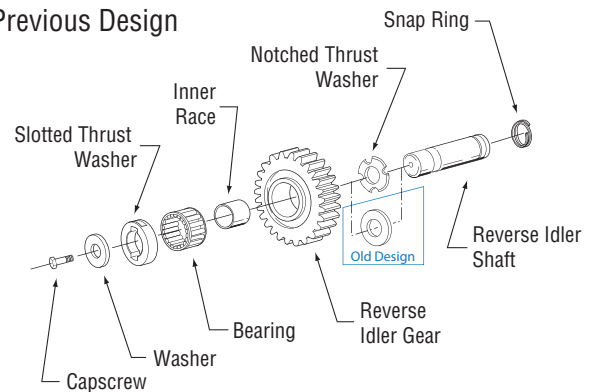
Special Tools

- RR1010TR Slide Hammer
- RR1011TR-4 Slide Hammer Attachment
- RR1019TR Hand Maul
- RR1020TR Soft Bar

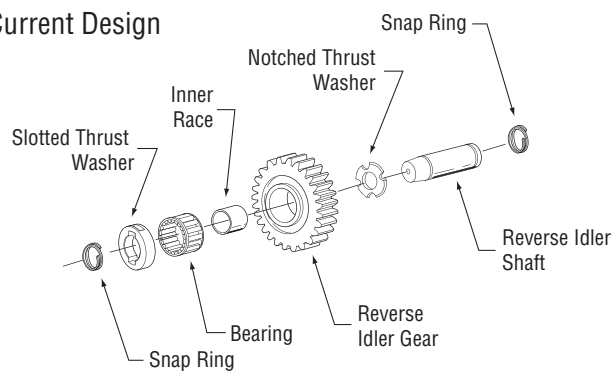
Previous Design



Previous Design



Current Design

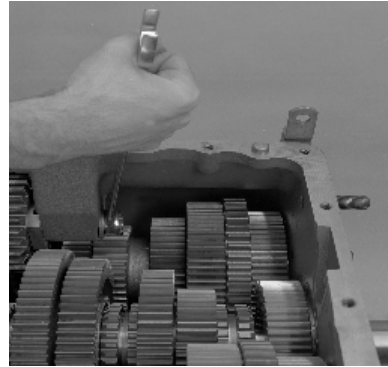


Transmission Overhaul Procedures - Bench Service

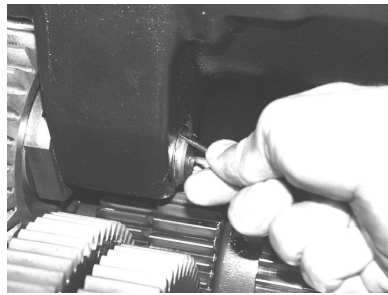
Procedure -

1. Remove the capscrew (or nut) on the front of the Reverse Idler Shaft.

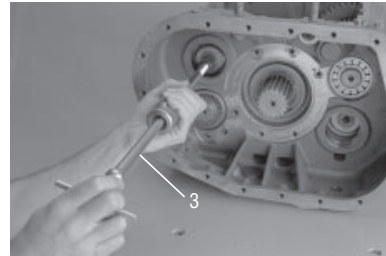
Note: If Idler Shaft spins, place a large screwdriver between Reverse Idler Boss to keep shaft from spinning.



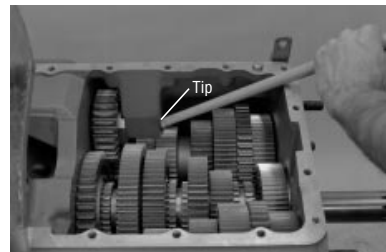
2. Remove Retaining Ring on later design Idler Shafts.



3. Use RR1010TR Slide Hammer and RR1011TR-4 Attachment to remove Reverse Idler Shafts with threaded center holes. The threads are M12x1.75.



4. If the Reverse Idler does not have internal threads use a RR1019TR Hand Maul and RR1020TR Soft Bar to drive out the Idler.



Transmission Overhaul Procedures - Bench Service

How to Remove the Countershaft Bearings and Countershaft Assemblies

Special Instructions

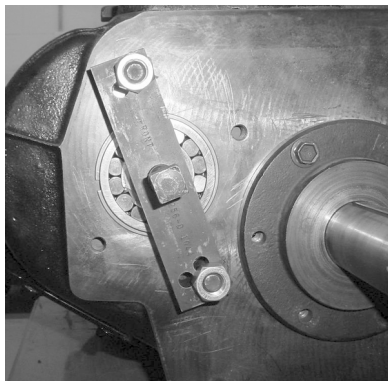
The following instructions are used to remove the Upper and Lower Countershaft Bearings. To remove the Mainshaft Assembly, only the Upper Countershaft Bearings need to be removed.

Performing the following instructions will damage the bearings and should be not be done unless bearing replacement is planned.

The Bearing Inner Race remains pressed on the Countershaft after removal of the Front Bearings.

Special Tools

- RR1017TR Countershaft Pusher
- RR1014TR Bearing Puller
- RR1019TR Hand Maul
- RR1020TR Soft Bar
- RR1022TR Countershaft Support Tool



Procedure -

1. To keep the Mainshaft Pilot from falling out of the Input Shaft pocket, temporarily install the Auxiliary Drive Gear on the Mainshaft.
2. Remove Snap Ring from rear of Countershaft.
3. Remove the Bearing Retainer Bolts on the Front Countershaft and install the RR1017TR Countershaft Pusher and push Countershaft back until it stops.

Transmission Overhaul Procedures - Bench Service

4. Use RR1019TR Hand Maul and RR1020TR Soft Bar to remove Rear Countershaft Bearing.

CAUTION

Damage will likely occur to this bearing during removal. It is strongly recommended that this bearing is discarded.

5. Remove RR1017TR Pusher Tool.
6. Use RR1019TR Hand Maul to drive Countershaft forward to expose External Snap Ring on Front Bearing.



7. Install RR1015TR Bearing Puller and remove Front Countershaft Bearing.
8. Install RR1022TR Countershaft Support Tool to hold the Upper Countershaft in place during Mainshaft Assembly removal.
9. With Mainshaft Assembly removed, both the Upper and Lower Countershafts can be removed from the Main Case.



Transmission Overhaul Procedures - Bench Service

How to Remove the Mainshaft Assembly

Special Instructions

If transmission service will be limited to removal of the mainshaft, the input shaft does not need to be removed, but it must be moved forward to provide enough clearance to remove the mainshaft.

The Upper Countershaft Bearings must be removed and the Countershaft Assembly supported before the Mainshaft can be removed. Reference previous section before proceeding with Mainshaft removal.

Special Tools

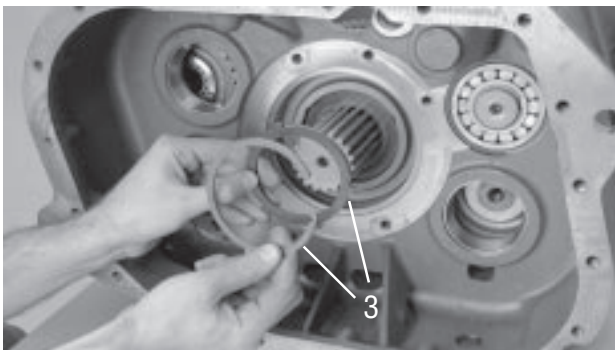
- RR1004TR Mainshaft Hook
- RR1022TR Countershaft Support Tool

Procedure -

1. Remove the six (6) capscrews from the Input Shaft Cover, then remove the Input Bearing Cover and Gasket.
2. Pull the Input Shaft forward until the Main Drive Gear contacts the Main Case front wall.

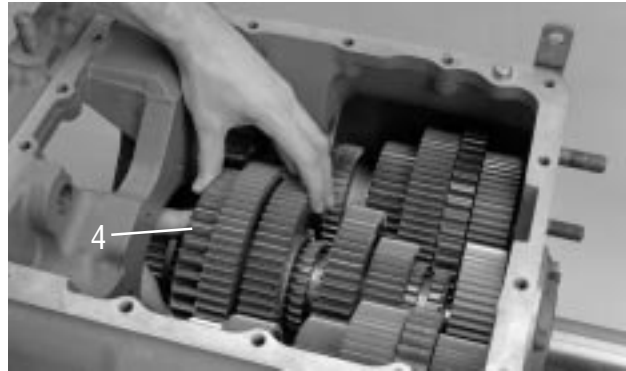


3. Remove Snap Ring and Spacer from the Reverse Gear.



Transmission Overhaul Procedures - Bench Service

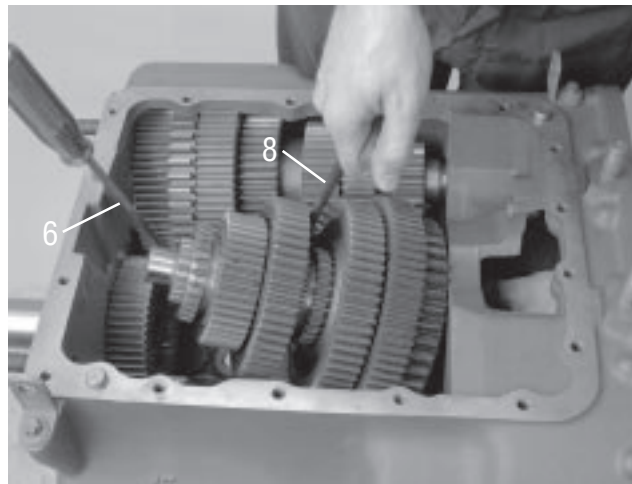
4. Rotate the Mainshaft Reverse Gear to engage the Sliding Clutch, and then move the gear forward over the Sliding Clutch to a position flush with the next gear on the Mainshaft.
5. Lift out and remove the Upper Reverse Idler Gear.



6. Use RR1022TR Countershaft Support Tool or a large screwdriver inserted between the Main Drive Gear and Upper Drive Gear to hold Countershaft out of the way.
7. Make sure the Mainshaft Reverse Gear is moved forward and held against the next gear (1st Speed Gear).
8. Position RR1004TR Mainshaft Hook around the Mainshaft Assembly at the Center Sliding Clutch.

Note: Keep the Upper Countershaft forward against the Case front wall.

9. Pull the Mainshaft to the rear to free the Pilot from the Input Shaft pocket.



⚠ WARNING

Be careful when removing the Mainshaft Assembly. The Sliding Clutch on the Front and the Reverse Gear on the back can slip off the shaft.

10. Tilt the Mainshaft front up and lift the Assembly from the Case.

Transmission Overhaul Procedures - Bench Service

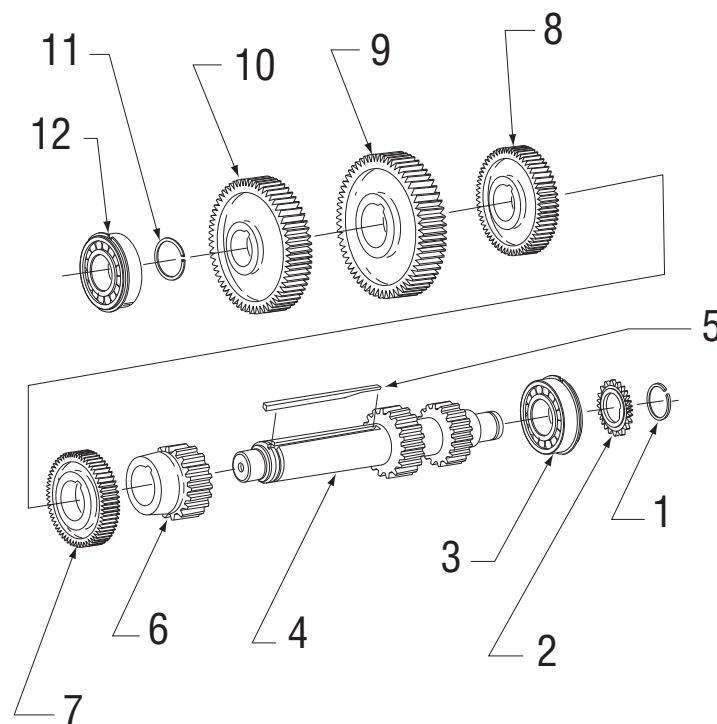
How to Disassemble the Countershaft Assemblies

Special Instructions

As you disassemble the Countershafts, mark each part as belonging to the Upper or Lower Countershafts, making sure the shaft position is marked correctly. Due to available options, some shafts may be position specific.

Special Tools

- Press



1. Snap Ring
2. Oil Pump Drive Gear
3. Rear Bearing
4. Countershaft
5. Key
6. Second Gear

7. Third Gear
8. Overdrive/or 4th Gear
9. PTO Gear
10. Drive Gear
11. Snap Ring
12. Front Bearing

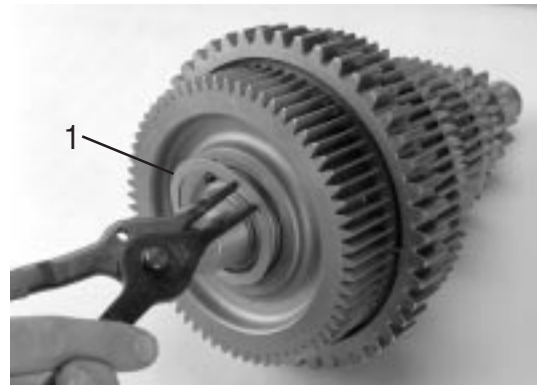
Transmission Overhaul Procedures - Bench Service

Procedure -

1. Remove the Snap Ring from the front of the Countershaft.

CAUTION

Never use the PTO Gear as a pressing base. Due to its narrow width, it may break.



2. Place the Countershaft Assembly in a Press as shown. With the rear face of 4th or Overdrive Gear from the front as a base, press this gear, the Drive Gear, and the PTO Gear from the Countershaft.



3. Reposition the Countershaft in the Press as shown. Using the rear face of 2nd Speed Gear as a base, press 3rd Speed Gear and 2nd Speed Gear from each Countershaft.
4. Inspect the Key. Remove and replace it if it is damaged.



Transmission Overhaul Procedures - Bench Service

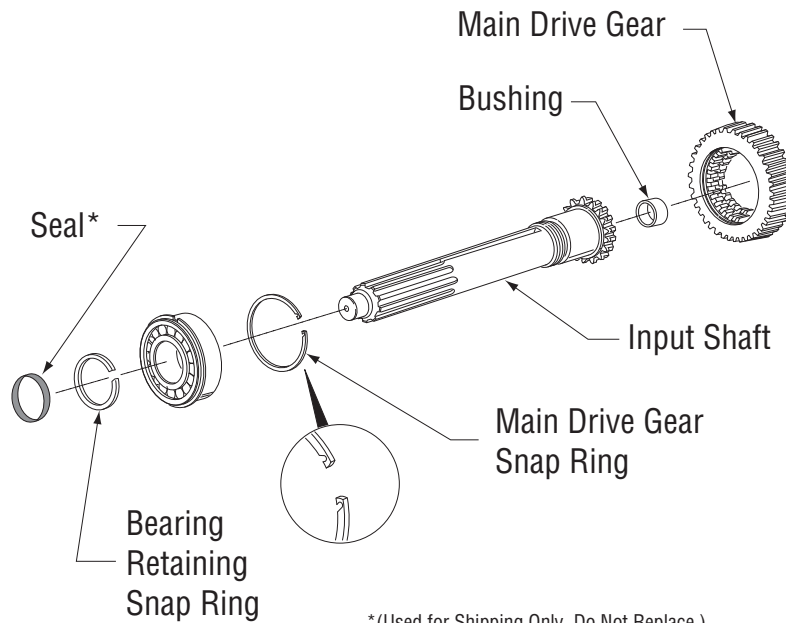
How to Remove the Input Shaft and Main Drive Gear

Special Instructions

If you only need to remove the Mainshaft, you do not need to remove the Input Shaft.

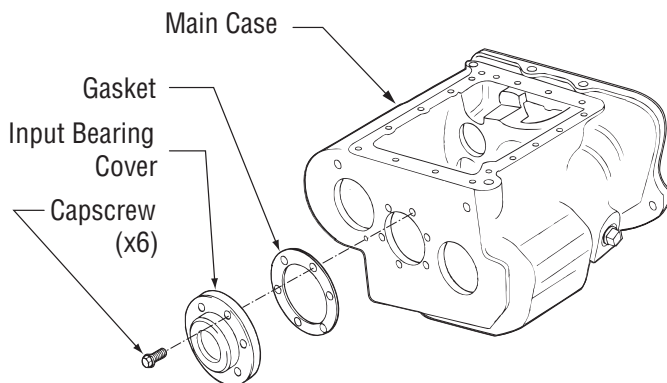
Special Tools

- Typical service tools
- RR1024TR Input Bearing Puller



Procedure -

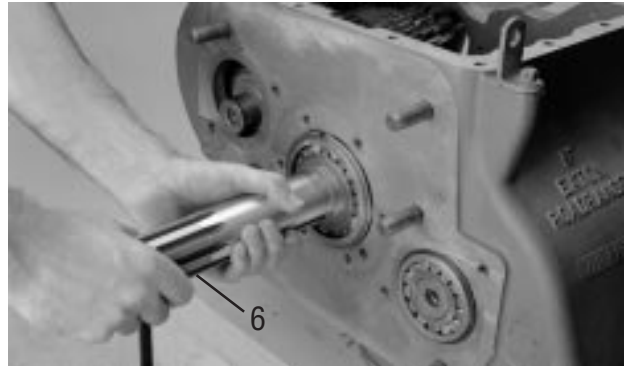
1. If not previously removed, remove the six (6) Retaining Capscrews from the Input Bearing Cover, and remove the Cover.
2. Remove the Input Bearing Cover Gasket and clean the gasket mounting surfaces on the Cover and the Main Case.
3. If present, remove and discard the Rubber Seal Ring on the Input Shaft. The ring is used only to seal the Transmission during shipment.
4. From the Input Shaft groove, remove the Input Bearing Retaining Snap Ring.
5. With a soft mallet, move the Input Shaft slightly rearward (approximately 1/16") until resistance is felt.



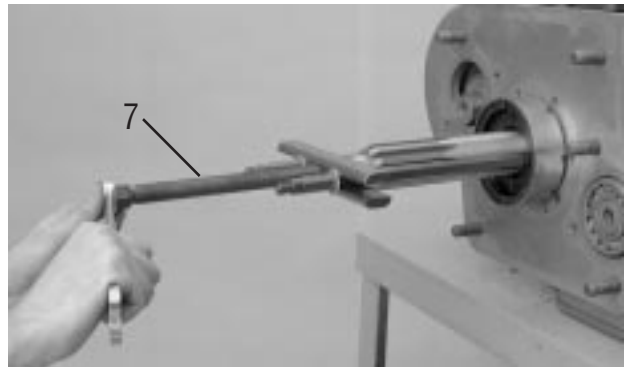
Transmission Overhaul Procedures - Bench Service

6. Grasp the Input Shaft and wiggle it. Pull it forward to move the Input Bearing forward to expose the Snap Ring on the outside of the Input Bearing.

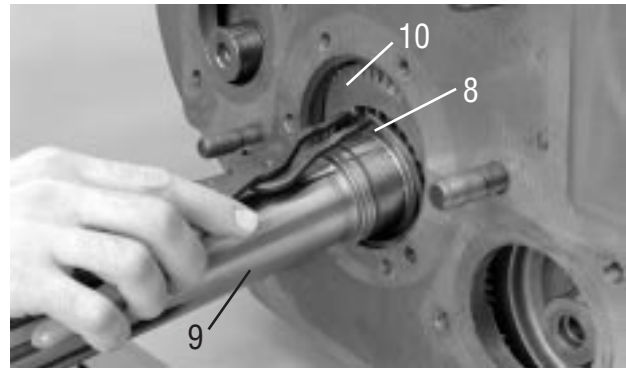
Note: The Input Shaft can be removed from the front of the case. Removal of the Mainshaft is not required.



7. Install RR1024TR Puller and remove Bearing from the Input Shaft.



8. Remove the Snap Ring on the inside of the Main Drive Gear.
9. Pull the Input Shaft forward and out of the Main Drive Gear.
10. From inside the case, remove the Main Drive Gear.



Transmission Overhaul Procedures - Bench Service

How to Prepare the Main Case for Reassembly

Verify that the three Magnetic Discs are firmly attached to the bottom of the Main Case. If they are not firmly attached, apply 3M Scotch Grip or equivalent adhesive to the bottom of the Discs and attach them to the Main Case.

If necessary, replace any damaged or worn Clutch Housing or Rear Support Studs. Apply Eaton®Fuller® Thread Sealant #71205 or equivalent to any replacement studs before installing them.

 CAUTION

Confirm that the Rear Support Stud or Capscrew does not protrude past the Case Housing into the Transmission. If it protrudes, it could contact the Range Yoke and disrupt shifting between Low Range and High Range.

How to Disassemble the Mainshaft Assembly

Special Instructions

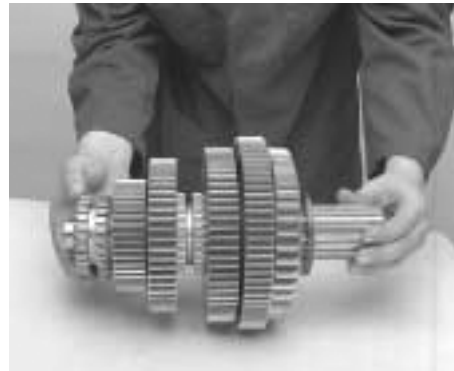
Lay all parts on a clean bench in order of removal to facilitate assembly.

Special Tools

- Typical service tools

Procedure -

1. Lay the Mainshaft on its side, and from the front, remove the 4th (or Overdrive) and 5th Sliding Clutch.



2. Place the Mainshaft in a vertical position, Pilot end down.
3. Remove Snap Ring (if applicable).



4. Remove Key, Washer, and Reverse Gear. Mark keyway location.

Note: When removing Washer and Reverse Gear, note their orientation. Keep the Washer with the Reverse Gear.

5. Remove the 1st/Reverse Sliding Clutch.



Transmission Overhaul Procedures - Bench Service



6. Remove the Washer and 1st Gear.
7. Remove the Washer and 2nd Gear.



8. Remove the Washer and Sliding Clutch.
9. Remove the Washer and 3rd Gear.
10. Remove the Washer.



11. Remove the 4th or Overdrive Gear.
12. Remove the Washer.

How to Assemble the Mainshaft Assembly

Special Instructions

The proper Mainshaft Key must always be used with the proper design Mainshaft Washers. If necessary, refer to the Parts Manual for your specific Model to confirm the proper parts.

Previous design levels can be updated to the current design.

Note: Any keyway on Mainshaft may be used for Mainshaft Key location.

Special Tools

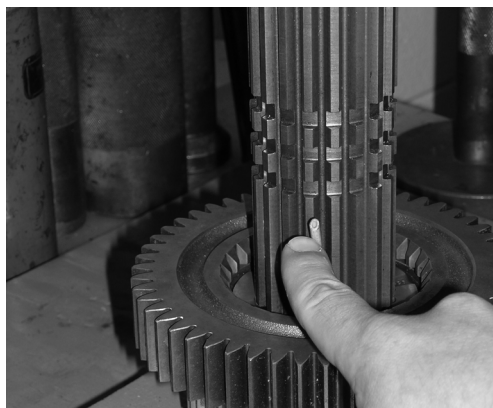
- A piece of 5/32" Plastic Air Line, 1 foot long
- Vise with brass jaws

Procedure -

1. With Mainshaft Pilot-end (front) down, secure the Mainshaft in a Vise equipped with brass jaws or wood blocks. Mark one keyway for reference to aid in assembly.

Note: There are seven (7) identical grooves cut around the Mainshaft. Each of these grooves is used to locate the Non-Selective Washers and retain the gearing on the Mainshaft. The last or upper groove position is for the Reverse Gear Washer.

2. Slide the first Non-Selective Washer down the Mainshaft until it is aligned with the lowest groove. Rotate the Washer in the groove until the splines are aligned and support the Washer.
3. After rotating the Washer there will be space for the plastic tubing to be inserted from below the Washer in between the splines. Insert the tubing just far enough to prevent the Washer from turning. After each Step, continue to push the tubing upward just far enough to prevent unintentional rotation of the Washers. During assembly, this tubing will serve as a "Temporary Key" and will be removed as the Mainshaft Key is inserted in Step 17.



4. With Clutching Teeth down, position the Direct/Overdrive Gear on the Mainshaft. Refer to the Illustrated Parts List for correct Gear.
5. Install a Washer. Rotate the Washer until the Washer Splines and Mainshaft Splines align. Push the Plastic Air Line up to lock the Washer on the Mainshaft.

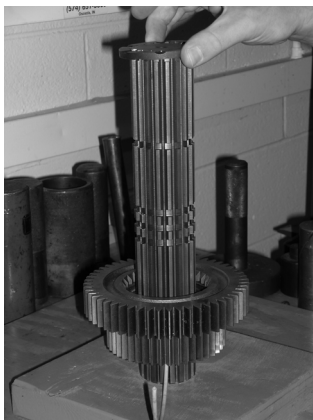


Transmission Overhaul Procedures - Bench Service



6. With Clutching Teeth up, position 3rd Gear on the Mainshaft.

7. Position the Washer against the Gear. Rotate the Washer until the Washer Splines and Mainshaft Splines align. Push up the Plastic Air Line to lock the Washer in place.



8. With the missing Internal Splines aligned with the Plastic Air Line, install the proper Sliding Clutch.



9. Position the next Washer in the next available groove. Rotate the Washer until the Washer Splines and Mainshaft Splines align.

10. With Clutching Teeth down, position the 2nd Gear on the Mainshaft.

11. Position the Washer against the Gear. Rotate the Washer until the Washer Splines and Mainshaft Splines align. Push the Plastic Air Line up to lock the Washer on the Mainshaft.



12. With Clutching Teeth up, install 1st Gear on the Shaft against previously installed Gear.

Transmission Overhaul Procedures - Bench Service

13. Position the Washer against the Gear. Rotate the Washer until the Washer Splines and Mainshaft Splines align. Push the Plastic Air Line up to lock the Washer on the Mainshaft.
14. With the missing Internal Splines aligned with the Plastic Air Line, install the 1st/Reverse Sliding Clutch.
15. From the rear, install the Reverse Gear over the Sliding Clutch teeth with Snap Ring groove facing up.
16. Install the Reverse Gear Washer in the last groove.



17. From the Mainshaft rear, install the Mainshaft Key with raised end pointed up and facing out into the Spline with the Plastic Air Line. Pull the Plastic Air Line from the Spline while installing the Key.
18. Remove the Mainshaft from the Vise and lay on its side.
19. Install the Front Sliding Clutch into position.



Transmission Overhaul Procedures - Bench Service

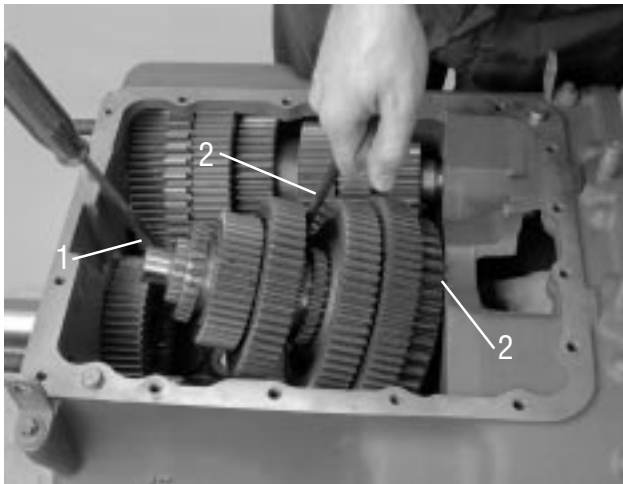
How to Install the Mainshaft Assembly

Special Instructions

None

Special Tools

- RR1004TR Mainshaft Lifting Hook

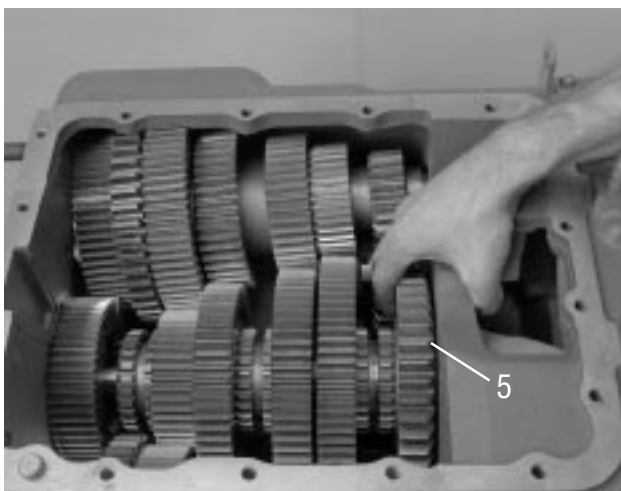


Procedure -

1. Move the Countershaft forward as far as possible and block it to the side by inserting a large screwdriver or prybar between the Main Drive Gear and the Countershaft.

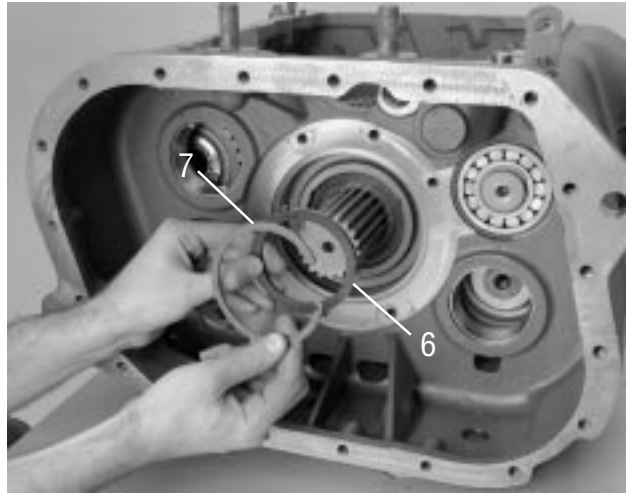
Note: Make sure the Input Shaft is pulled forward before positioning the Mainshaft.

2. Hold the Reverse Gear against the next gear, and lower the Mainshaft Assembly into position while guiding the shaft rear through the case bore. Place the RR1004TR Mainshaft Hook at the Center Sliding Clutch to help lower the Mainshaft Assembly into the Transmission Case.
3. Move the Mainshaft forward to position the Mainshaft Pilot end into the rear of the Input Shaft.
4. Install the Reverse Idler Bearing and Inner Race into the Reverse Idler Gear, and place the gear in its approximate location. Rest it against the case wall, but do not install the Reverse Idler Shaft yet.
5. Slide the Mainshaft Reverse Gear rearward.



Transmission Overhaul Procedures - Bench Service

6. Install the Tanged Washer into the Reverse Gear.
7. Install the Snap Ring into the Reverse Gear.
8. If previously removed, press the Inner Spacer into the Mainshaft Rear Bearing.
9. Slide the Mainshaft Rear Bearing and Splined Spacer over the Mainshaft, and seat the Bearing with a Soft Hammer or Maul. You may need to lift the rear of the Mainshaft slightly to be able to fit the Bearing into the Case bore.



Transmission Overhaul Procedures - Bench Service

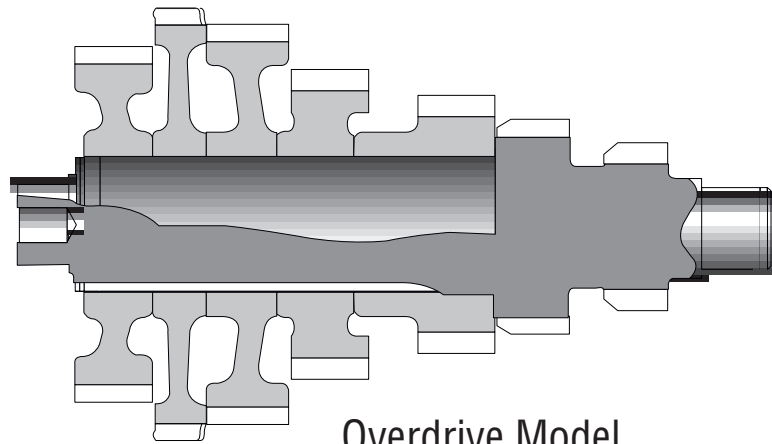
How to Assemble the Countershaft Assemblies

Special Instructions

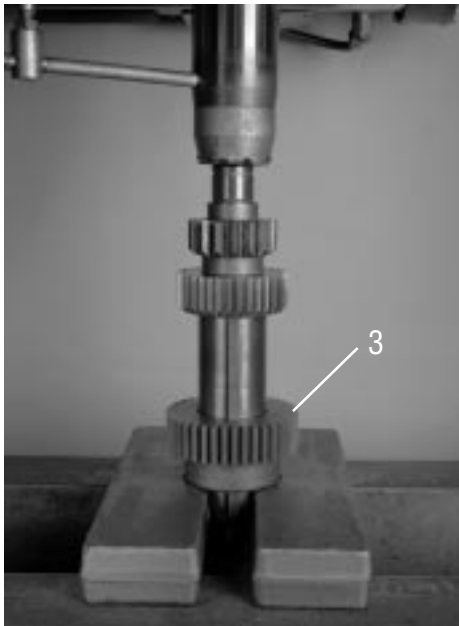
Determine if the Countershaft is the Upper or Lower Countershaft, and mark it if necessary. The Lower Countershaft has a larger 47 tooth PTO Gear, and if the Transmission has an Oil Pump, the rear of the shaft will be extended to support the Oil Pump Drive Gear.

Special Tools

- Press



Overdrive Model
Configuration



Procedure -

1. If previously removed, install the key in the Countershaft Keyway.
2. To ease assembly, lightly lubricate the shaft and inside diameter of each gear.

Note: Refer to the Countershaft cross section while reassembling the Countershaft and Gears. If assembled correctly, the Countershaft will have the same shape as that shown in the cross section.

3. Install the 2nd Speed Gear (smallest gear). To install it, align the Gear Keyway with the Countershaft Key as shown, and press the Gear on the Countershaft as shown.
4. Install the 3rd Speed Gear (next smallest gear). To install it, align the Gear Keyway with the Countershaft Key, and press the Gear on the Countershaft.

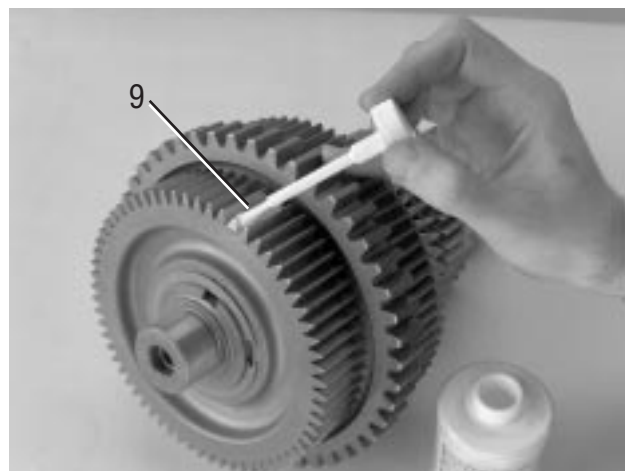
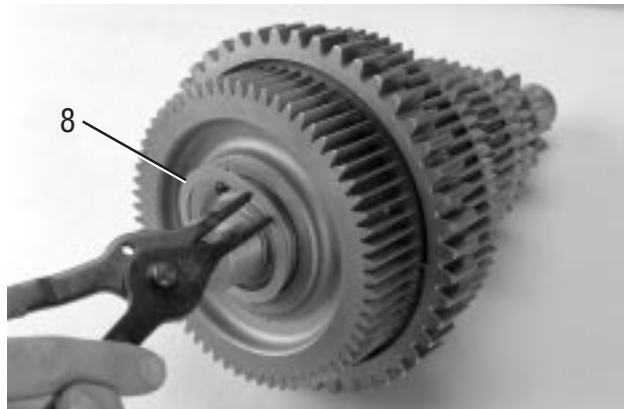
Transmission Overhaul Procedures - Bench Service

5. Perform one of the two following steps:
 - a. For Overdrive Transmissions, select the largest diameter gear, place it over the shaft, and press it into place.
 - b. For Direct Drive Transmissions, Install the 4th Speed Gear (next smallest gear). To install it, align the Gear Keyway with the Countershaft Key, long hub to Countershaft front, and press the Gear on the Countershaft.
6. Install the PTO Gear. This gear is identified by the rounded teeth on one side. To install the PTO Gear, align the Gear Keyway with the Countershaft Key, rounded teeth facing up (shaft rear), and press the Gear on the Countershaft.
7. Install the Countershaft Drive Gear. This gear is identified by the tooth marked with an '0.' To install the Drive Gear, align the Gear Keyway with the Countershaft Key, '0' to the front, and press the Gear on the Countershaft.

CAUTION

DO NOT try to install the Countershaft in the Transmission if you cannot install the Snap Ring.

8. Install the Countershaft Drive Gear Retaining Snap Ring in the groove on the shaft front. If the Snap Ring groove is not fully exposed, either the gears are not oriented properly or not seated properly. The Countershaft may have to be disassembled partly or fully to correct the problem.
9. For timing purposes, use a highly visible Toolmaker's Dye to mark the tooth with an '0' or the tooth lined up with the Keyway.



Transmission Overhaul Procedures - Bench Service

How to Assemble the Lower Reverse Idler Gear Assembly

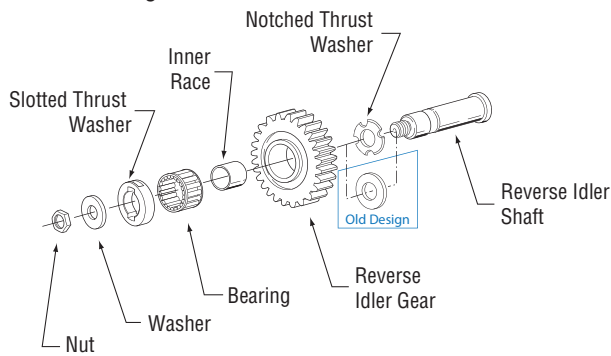
Special Instructions

The FR-series Transmission has three different versions of Reverse Idler Retainers, reference the next page for specific installation instructions.

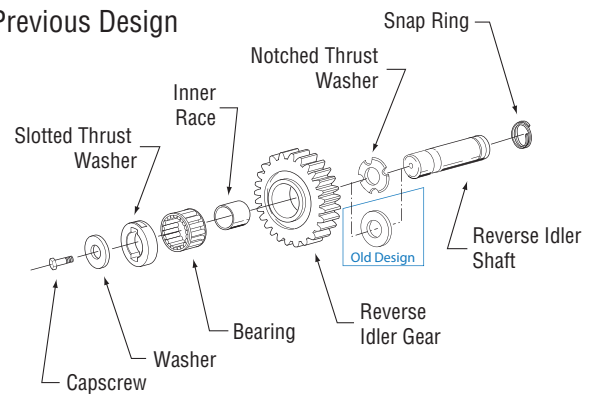
Special Tools

- RR1019TR Hand Maul
- RR1020TR Soft Bar
- Torque Wrench, 100 lb. ft. capacity

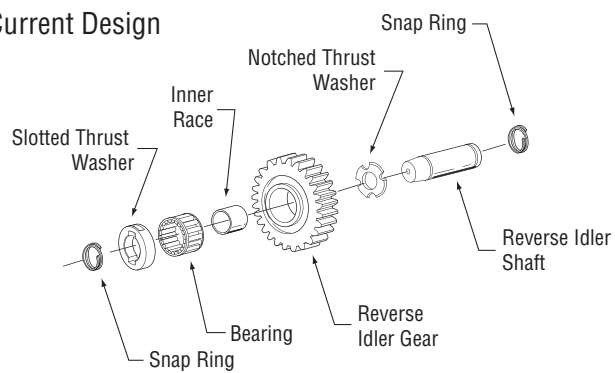
Previous Design



Previous Design



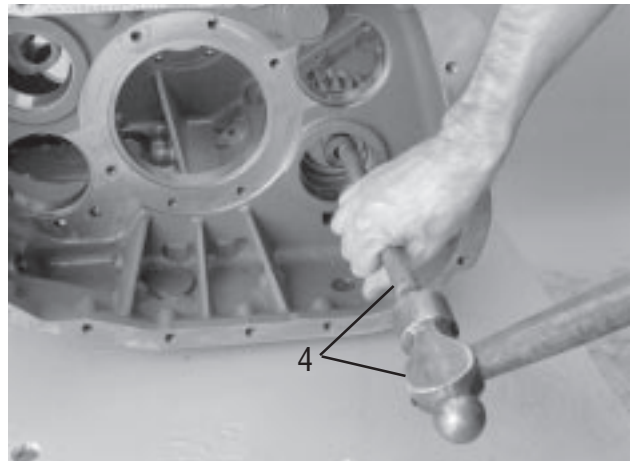
Current Design



Transmission Overhaul Procedures - Bench Service

Procedure -

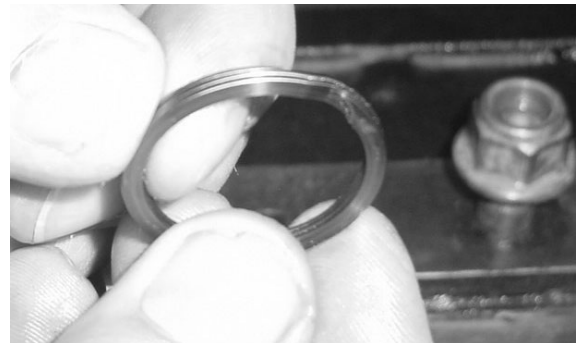
1. Position the Reverse Idler Bearing and Inner Race into the Reverse Idler Gear.
2. Hold the Reverse Idler Gear and flat Thrust Washer in place in the Main Case, and insert the Idler Shaft, threaded end to the front, through the rear case bore and into the gear. Do not insert the Reverse Idler Shaft into the Main Case Support Boss yet.
3. Position the slotted Thrust Washer in front of the gear with a slot facing up. Note the word FRONT on the slotted washer, and make sure it faces the front of the Transmission. Continue to feed the Idler Shaft forward through this washer and into the hole in the Case Boss.
4. Slide the Reverse Idler Shaft into the Support Boss bore. Use RR1019TR Hand Maul and RR1020TR Soft Bar to drive the Reverse Idler until it is fully seated.



5. Secure the shaft in position according to one of the procedures below:

Note: For Nut Fastener Design: Inspect the nylon locking insert in the nut, and replace the nut if it is excessively worn. After inspecting and/or replacing the nut, install the nut and washer on shaft front. Tighten the nut to 67–75 lb. ft. (90–101 N•m) of torque.

Note: For Capscrew Fastener Design: Apply Eaton®Fuller® Thread Sealant #71205 or equivalent to the capscrew threads, and install the capscrew and washer. Tighten the capscrew to 67–75 lb. ft. (90–101 N•m) of torque.



Note: For Retainer Ring design: Install the Washer and Snap Ring on Idler Shaft using socket. Place Retainer Ring over front of Reverse Idler Shaft Seal, snapping into place by using a large socket. Tap lightly into place.



Transmission Overhaul Procedures - Bench Service

How to Install Countershaft Assemblies

Special Instructions

Make sure the Countershaft Assemblies have been marked for proper position, 47- tooth PTO Gear in the lower position.

Prior to installing the Countershafts, the Lower Reverse Idler Gear Assembly should be installed. In addition, if the Transmission is equipped with an Internal Oil Pump, this should also be installed.

Special Tools

- Toolmaker's Dye



Procedure -

1. On the Drive Gear of each Countershaft Assembly, mark the tooth aligned with the Gear Keyway and stamped with an 'O' for easy identification. A highly visible color of Toolmaker's Dye is recommended for making timing marks.

Note: Prior to installing the Countershafts, the Lower Reverse Idler Gear Assembly should be installed. In addition, if the tTransmission is equipped with an Internal Oil Pump, this should also be installed.

2. Place the lower, 47-tooth PTO Gear Countershaft, into the Main Case with the shaft seated in the Lower Countershaft Case bores.

Note: Use a large hook or piece of rope to support the countershaft if necessary.

3. Place the Upper Countershaft (with the 45-tooth PTO Gear) into the Main Case with the shaft seated in the Upper Countershaft Case bores.

How to Install the Lower Countershaft Bearings

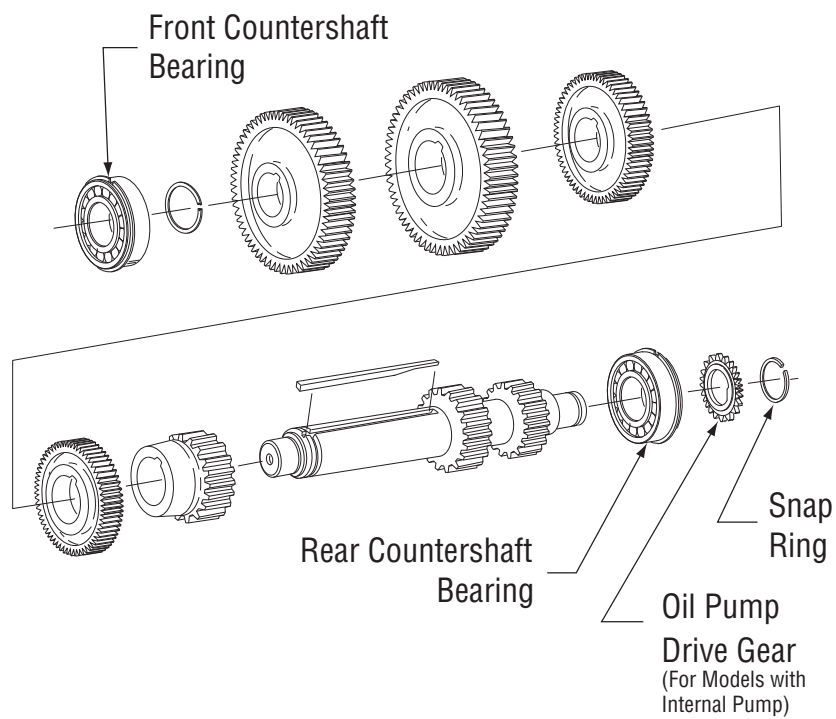
Special Instructions

CAUTION

The proper Driver, RR1015TR, must be used or the Countershaft Bearings will be damaged during installation.

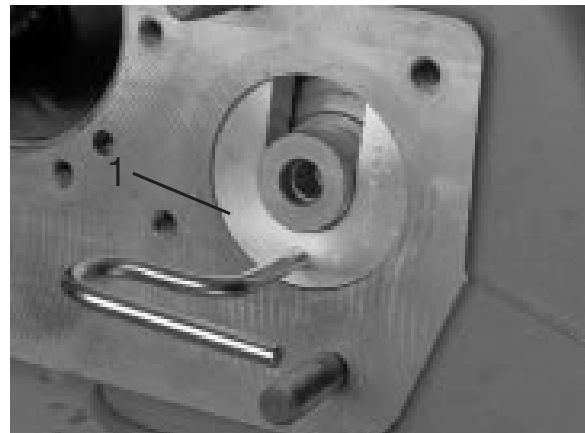
Special Tools

- RR1025TR Timing Block
- RR1015TR Bearing Driver
- RR1019TR Hand Maul

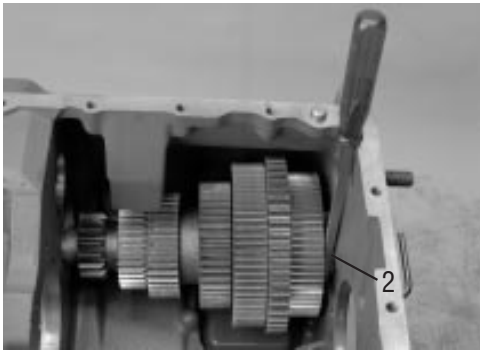


Procedure -

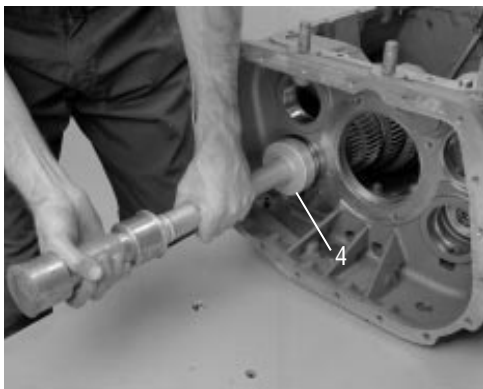
1. Place RR1025TR Timing Block under the Lower Countershaft at the front of the Transmission Main Case.



Transmission Overhaul Procedures - Bench Service

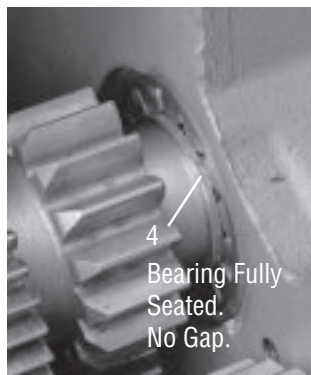


2. Place a large screwdriver or prybar at the front of the Countershaft between the Case wall and Countershaft to space the Countershaft rearward approximately 1/4" (6 mm).



3. Place the Bearing over the rear of the Countershaft.
4. Place a RR1015TR Bearing Driver over the Bearing, and drive the Bearing over the Countershaft with the RR1019TR Hand Maul. When the Bearing is fully seated, no gap should be visible between the Bearing and the Shaft. If the Bearing is not fully seated, the Snap Ring to be installed at Step 6 will not fit.

5. If used, install the Oil Pump Drive Gear.
6. In the Countershaft rear groove, install the rear Snap Ring.
7. Remove the screwdriver or prybar.
8. If necessary, tap the Countershaft forward to seat the Rear Bearing Snap Ring in its bore.



9. Temporarily install the Mainshaft Rear Bearing Retainer using two or more Capscrews. The Cover prevents the Countershaft from moving rearward when the Front Bearing is installed.

10. Remove the RR1025TR Timing Block and place the Front Bearing on the front of the Countershaft.



11. Place a RR1015TR Bearing Driver over the Bearing, and drive the Bearing with RR1019TR Hand Maul until the Inner Race is flush with the front of the Countershaft.

12. Remove the Mainshaft Rear Bearing Retainer.

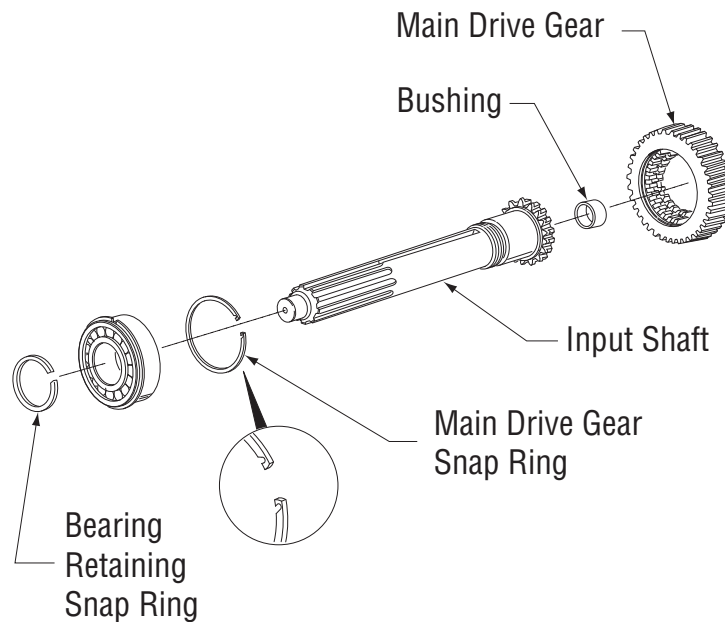
How to Install the Input Shaft and Main Drive Gear

Special Instructions

None

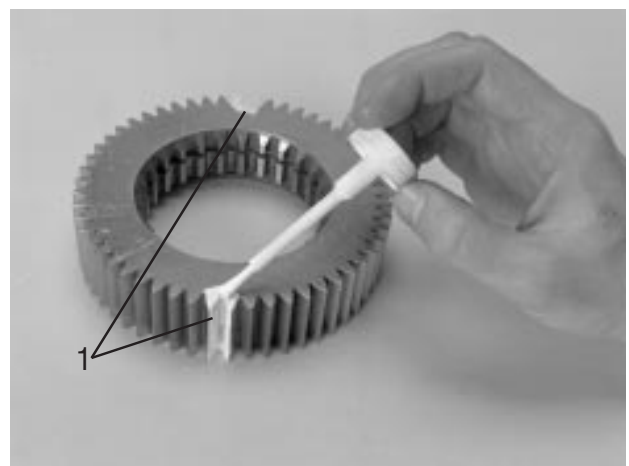
Special Tools

- RR1005TR Input Bearing Driver
- RR1019TR Hand Maul
- RR1020TR Soft Bar

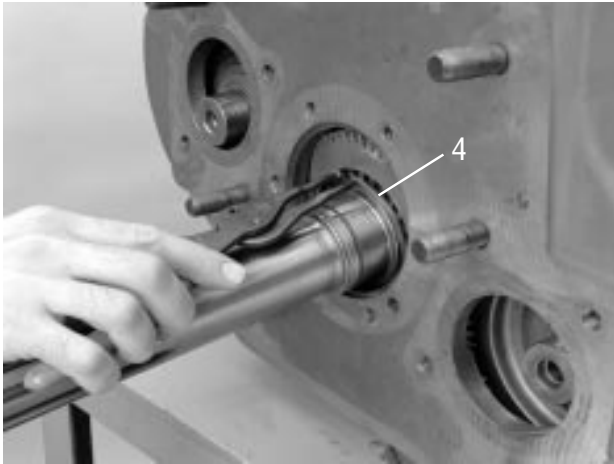


Procedure -

1. Use a highly visible Toolmaker's Dye and mark the Main Drive Gear for timing purposes. To mark the gear, paint the Toolmaker's Dye on any two adjacent teeth, and then paint the two adjacent teeth directly opposite the first two teeth.
2. If necessary, install the Bushing in the back of the Input Shaft.
3. From inside the Case, position and hold the Main Drive Gear in its approximate position.

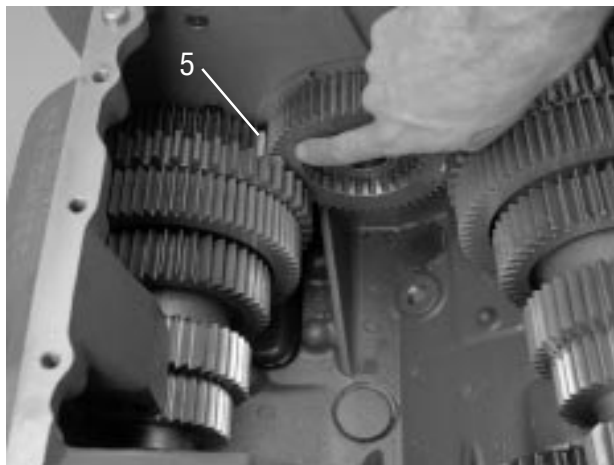


Transmission Overhaul Procedures - Bench Service

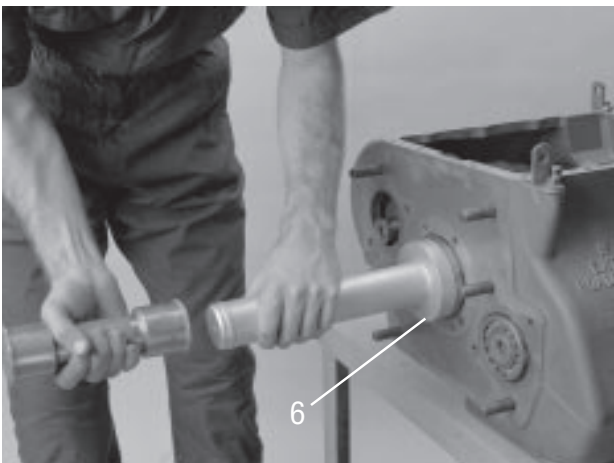


4. From the front, slide the Input Shaft into the Main Drive Gear, and install the Snap Ring to trap the shaft in the gear.

Note: You may notice backlash between the external spline teeth of the input shaft and the internal spline teeth of the main drive gear. The backlash is normal.



5. Inside the case, mesh the marked tooth on the Lower Countershaft Drive Gear with either set of marked teeth on the Main Drive Gear.



6. While holding the Main Drive Gear in the proper position and in time with the Lower Countershaft, slide the Input Bearing over the Input Shaft and start it into its bore. Use RR1005TR Bearing Driver and RR1019TR Hand Maul to drive it into position until the Snap Ring bottoms on the Case.

Note: The Input Bearing is not fully installed at this point.

7. Temporarily install the Input Bearing Cover with two or more capscrews.
8. From inside the Main Case, drive the Input Shaft forward with RR1020TR Soft Bar and RR1019TR Hand Maul until it is fully seated.
9. Remove the Input Bearing Cover, and install the Input Bearing Retaining Snap Ring.
10. Do not reinstall the Input Bearing Cover at this time. Instead, pull the Input Shaft and Bearing forward to allow for Mainshaft installation.

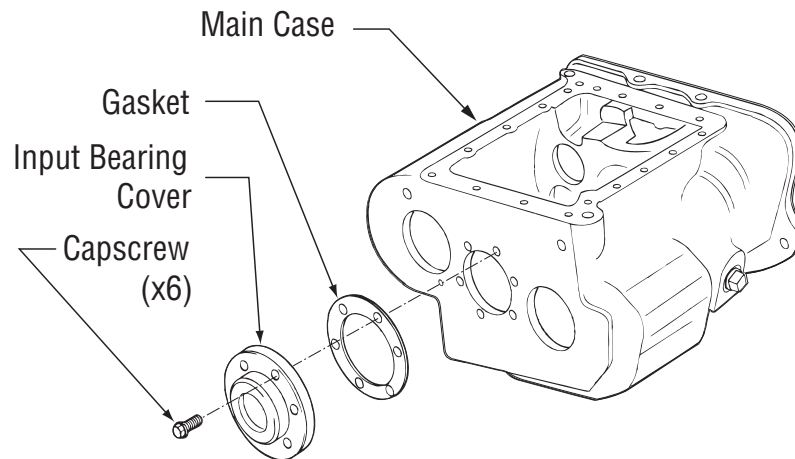
How to Install the Input Bearing Cover

Special Instructions

None

Special Tools

- Torque Wrench, 50 lb. ft. capacity



Procedure -

1. Tap the Input Shaft and Bearing rearward to seat the Bearing Snap Ring against the Main Case.
2. Slide a new gasket and the Input Bearing Cover over the Input Shaft. Make sure the oil return hole in the cover and gasket is aligned with the hole in the front of the Case.
3. Apply Eaton®Fuller® Thread Sealant #71205 or equivalent to the capscrew threads, and install the six (6) Capscrews. Torque the Capscrews to 40–45 lb. ft. (54–61 N•m).

Transmission Overhaul Procedures - Bench Service

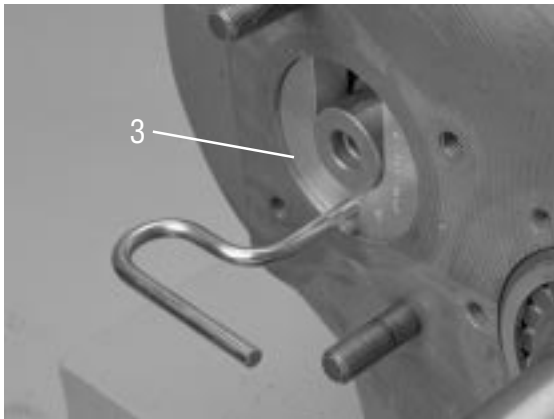
How to Install the Upper Countershaft Bearings

Special Instructions

The proper Driver, RR1015TR, must be used or the Countershaft Bearings will be damaged during installation.

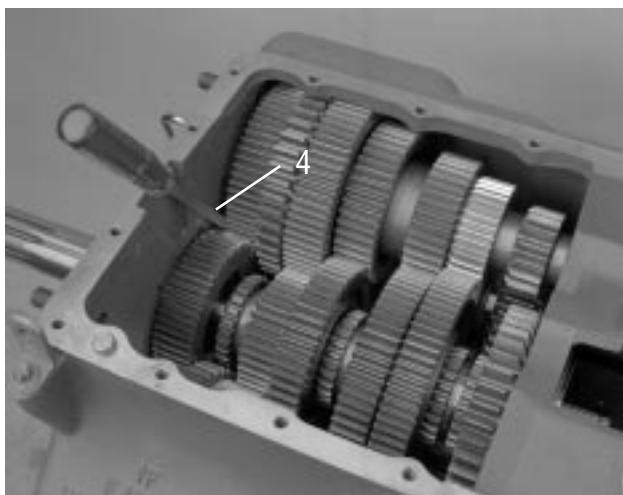
Special Tools

- RR1015TR Bearing Driver
- RR1019TR Hand Maul
- RR1025TR Timing Block



Procedure -

1. Make sure the Lower Countershaft and Main Drive Gear timing marks are aligned.
2. Mesh the marked tooth of the Upper Countershaft with the two remaining marked teeth of the Main Drive Gear.
3. Support and center the front of the Countershaft by placing a RR1025TR Timing Block in the front bore as shown.

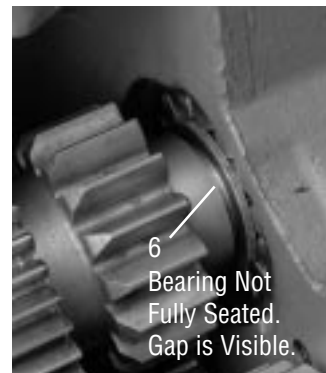


4. Place a large screwdriver or prybar at the front of the Countershaft between the Case wall and Countershaft to space the Countershaft rearward approximately 1/4" (6 mm).

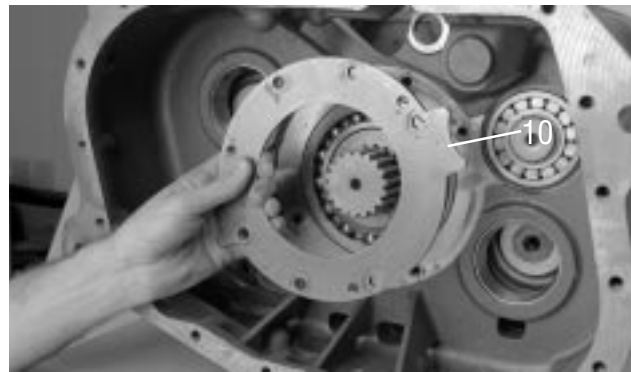
5. Place a bearing over the rear of the Countershaft.

Transmission Overhaul Procedures - Bench Service

6. Place the RR1015TR Bearing Driver over the Countershaft Rear Bearing, and drive the bearing into the Case bore. The Countershaft may need to be lifted slightly to start the bearing into the bore. When the bearing is fully seated, no gap should be visible between the bearing and the shaft. If the bearing is not fully seated, the Snap Ring to be installed at Step 7 will not fit.
7. In the Countershaft rear groove, install the Rear Snap Ring.
8. Remove the screwdriver or prybar.
9. If necessary, tap the Countershaft forward to seat the Rear Bearing in its bore.



10. Install the Mainshaft Rear Bearing Retainer. To install the Bearing Retainer, apply Eaton®Fuller® Thread Sealant #71205 or equivalent to the capscrews, and install them in the Bearing Retainer. Torque the screws to 40–45 lb-ft (54–61 N•m)



11. Remove the Timing Block and place the remaining bearing on the front of the Countershaft.
12. Place the RR1015TR Bearing Driver over the bearing, and drive the bearing over the Countershaft until the Inner Race is flush with the end of the Countershaft.



Transmission Overhaul Procedures - Bench Service

How to Install the Upper Reverse Idler Gear Assembly

Special Instructions

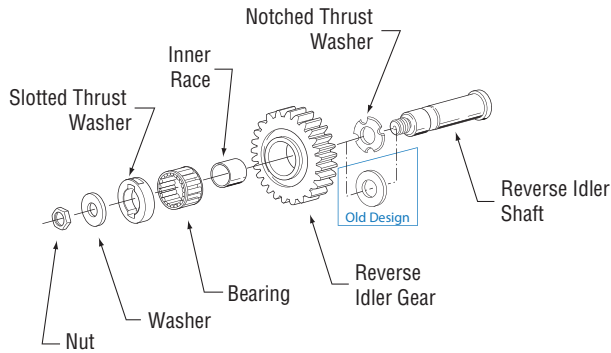
The FR-series Transmission has three different versions of Reverse Idler Retainers, reference the next page for specific installation instructions.

The new Reverse Idler Shaft uses a Snap Ring in place of the capscrew.

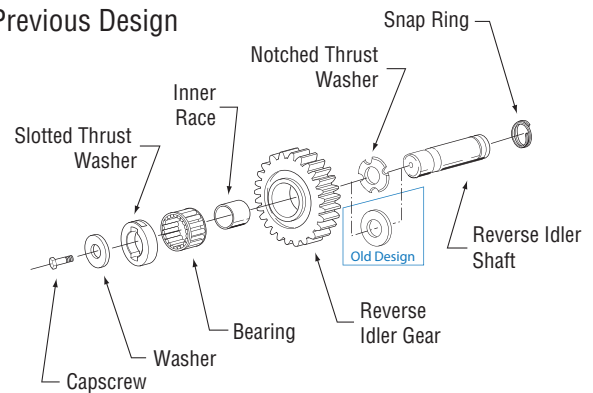
Special Tools

- RR1019TR Hand Maul
- RR1020TR Soft Bar
- Torque Wrench, 100 lb. ft. capacity

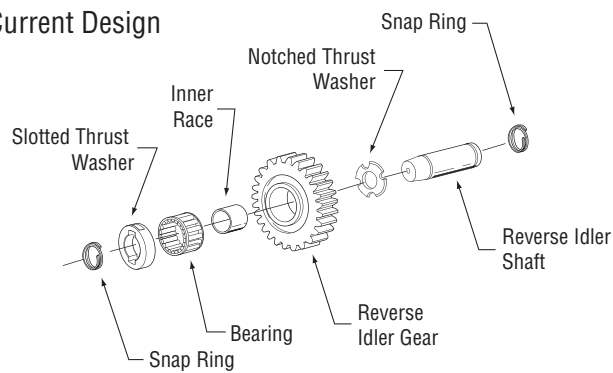
Previous Design



Previous Design



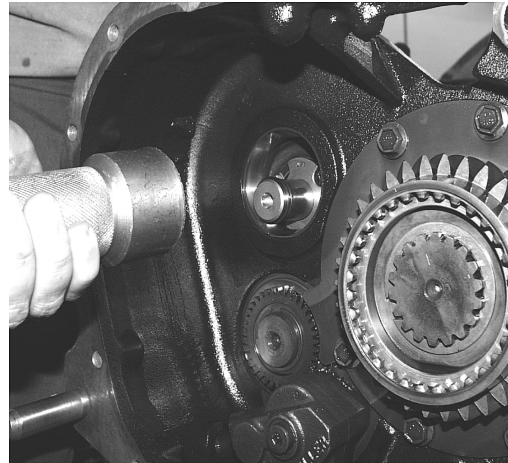
Current Design



Transmission Overhaul Procedures - Bench Service

Procedure -

1. Lift the Mainshaft Reverse Gear to allow the Reverse Idler Gear to drop into mesh and into the proper position.
2. Place and hold the Idler Flat Thrust Washer at the back of the Gear.
3. While holding the Gear and Washer in position, feed the Reverse Idler Shaft through the Flat Thrust Washer and Gear.
4. Position the Slotted Thrust Washer in front of the Reverse Idler Gear with one of the slots facing up, and continue to feed the Idler Shaft forward. Make sure the word FRONT faces the front of the Main Case.
5. Use RR1019TR Hand Maul and RR1020TR Soft Bar to drive the Reverse Idler until it is fully seated.

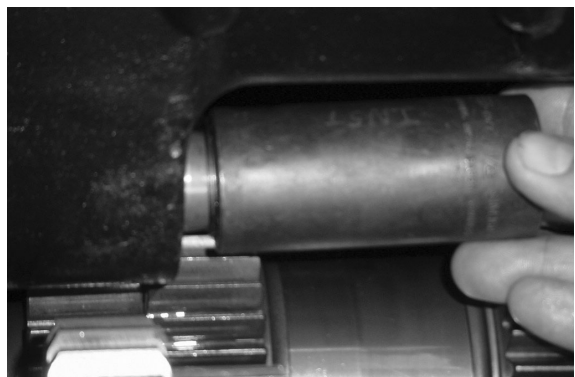
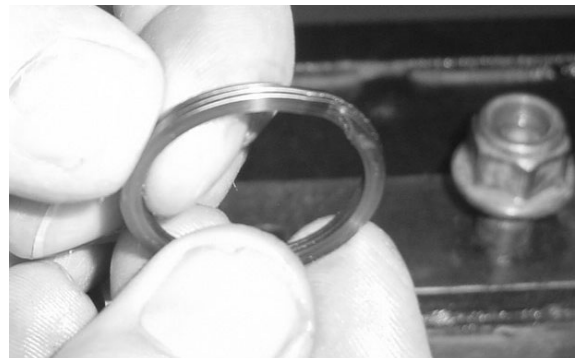


6. Secure the shaft in position according to one of the procedures below:

Note: For Nut Fastener Design: Inspect the nylon locking insert in the nut, and replace the nut if it is excessively worn. After inspecting and/or replacing the nut, install the nut and washer on shaft front. Tighten the nut to 67–75 lb. ft. (90–101 N•m) of torque.

Note: For Capscrew Fastener Design: Apply Eaton®Fuller® Thread Sealant #71205 or equivalent to the capscrew threads, and install the capscrew and washer. Torque the capscrews to 67–75 lb. ft. (90–101 N•m).

Note: For Retainer Ring design: Install the washer and Snap Ring on Idler Shaft using socket. Place Retainer Ring over front of Reverse Idler Shaft seal, snapping into place by using a large socket. Tap lightly into place.



Transmission Overhaul Procedures - Bench Service

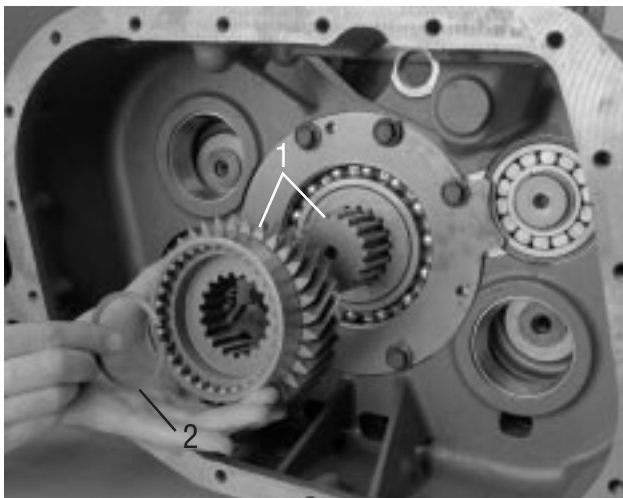
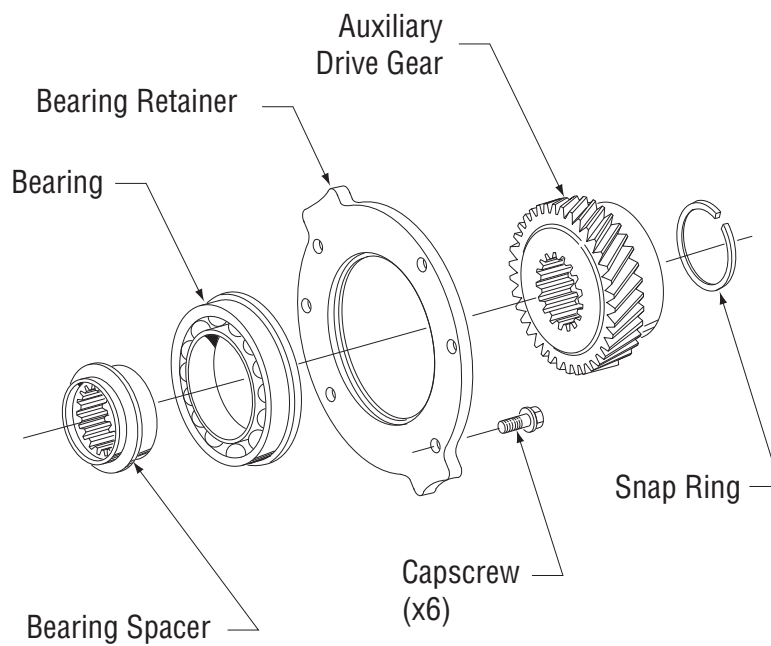
How to Install the Auxiliary Drive Gear Assembly

Special Instructions

None

Special Tools

- Typical service tools



Procedure -

1. Install the Auxiliary Drive Gear over the Mainshaft splines.
2. Install the Auxiliary Drive Gear Retaining Snap Ring in the Mainshaft Snap Ring groove. If necessary, slide the Mainshaft rearward to fully expose the groove.

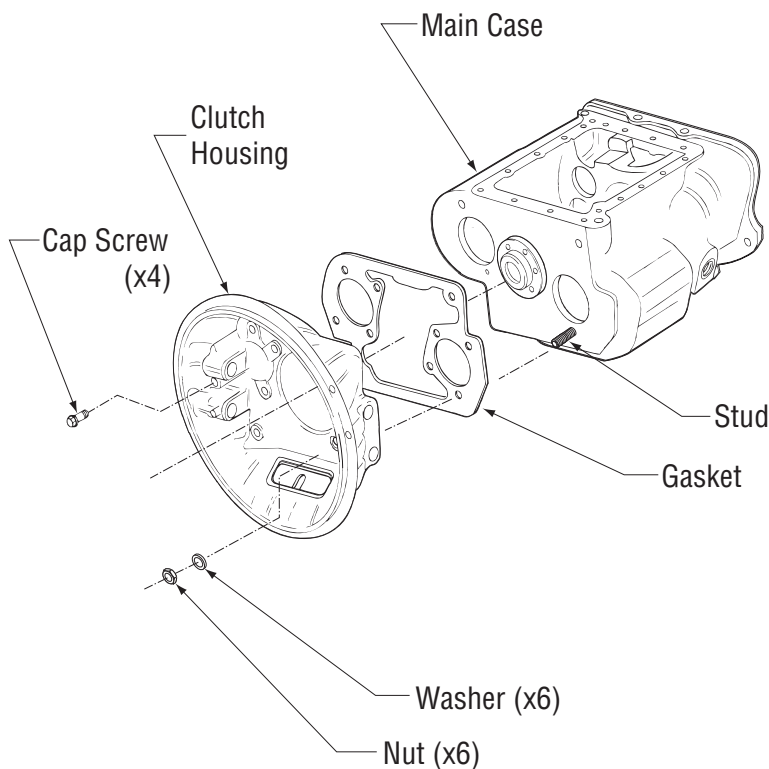
How to Install the Clutch Housing

Special Instructions

The procedure is the same for aluminum or cast iron housings.

Special Tools

- Typical service tools



Procedure -

1. Position a new gasket on the housing mounting surface.
Note: The Input Bearing Cover must be installed before you install the Clutch Housing.
2. Install the Clutch Housing on the six (6) studs on the Main Case, piloting it on the Front Input Bearing Cover.
Note: Cast iron Clutch Housings use split-type lockwashers. Aluminum Clutch Housings use a flat washer with the nut and star-type lockwashers with the capscrews.
3. Install the nuts with washers or lockwashers on the studs, tighten to 180–200 lb. ft. (244–271 N•m) of torque. The torque value is the same for the aluminum and cast iron clutch housings.
4. Apply Eaton®Fuller® Thread Sealant #71205 to the capscrews and install them with lockwashers. Tighten the capscrews to 72–80 lb. ft. (97–108 N•m) of torque.

Transmission Overhaul Procedures - Bench Service

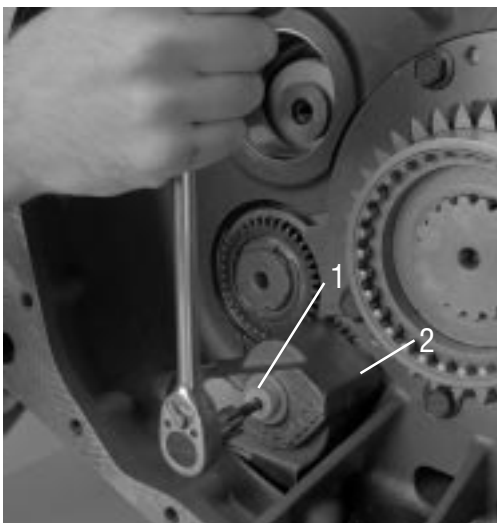
How to Remove the Oil Pump

Special Instructions

None

Special Tools

- Typical service tools



Procedure -

1. Use a 6 mm Allen Socket Driver to remove the single socket head Shoulder Bolt.
2. Remove the Oil Pump.
3. If necessary, remove the Pump Drive Gear by removing the Countershaft Rear Snap Ring.

How to Install the Oil Pump

Special Instructions

Overtightening the attaching bolt could bind up the Pump.

Special Tools

- Torque Wrench, 25 lb. ft. capacity

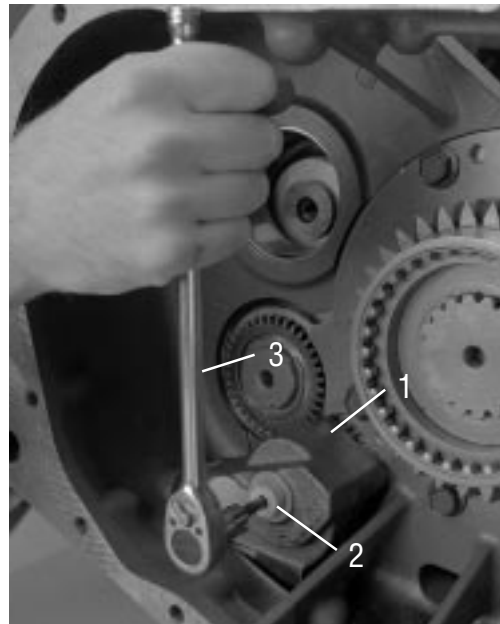
Procedure -

1. From the rear of the Transmission, position the Oil Pump into place.
2. Install the socket head Shoulder Bolt to secure the Pump in place.

CAUTION

Overtightening the bolt could bind up the Pump.

3. With a 6 mm Socket Head Driver, torque the bolt to 20–23 lb. ft. (27–31 N•m).



Transmission Overhaul Procedures - Bench Service

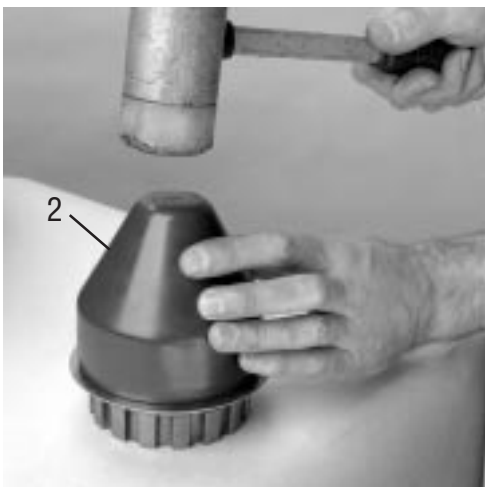
How to Install the Oil Seal

Special Instructions

None

Special Tools

- RR1001TR-2 Seal Driver
- RR1001TR-8 Seal Driver Insert
- RR1001TR-1 Slinger Driver



Procedure -

1. Install the Oil Seal into the Rear Bearing Cover using Seal Driver RR1001TR-2 and Seal Driver Insert RR1001TR-8. The Oil Seal is fully installed when the flange on the Seal is flush with the shoulder in the bore.
2. Install a new Slinger on the Seal Sleeve using Slinger Driver RR1001TR-1.

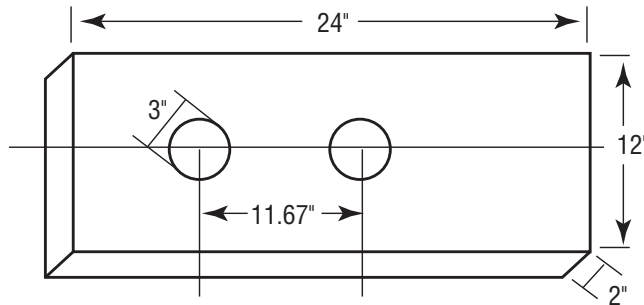
How to Assemble the Auxiliary Section

Special Instructions

To aid in reassembling the auxiliary section, use a fixture that will hold the countershafts in the proper positions. The dimensions of the fixture are shown in the illustration. The fixture is constructed from a 2"x12"x24" piece of wood.

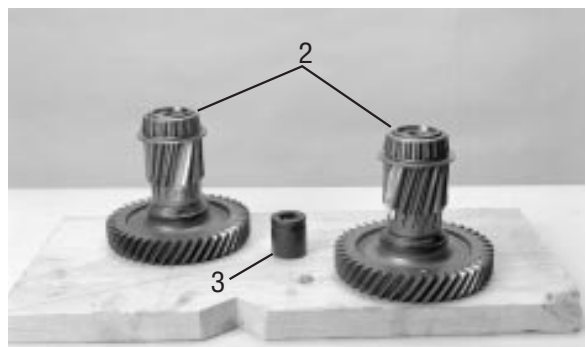
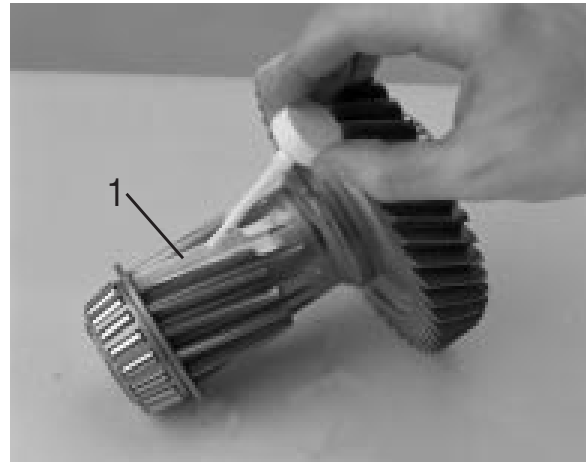
Special Tools

- RR1002TR Auxiliary Countershaft Support Straps

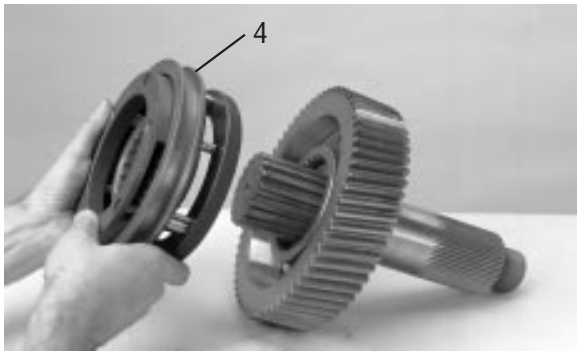


Procedure -

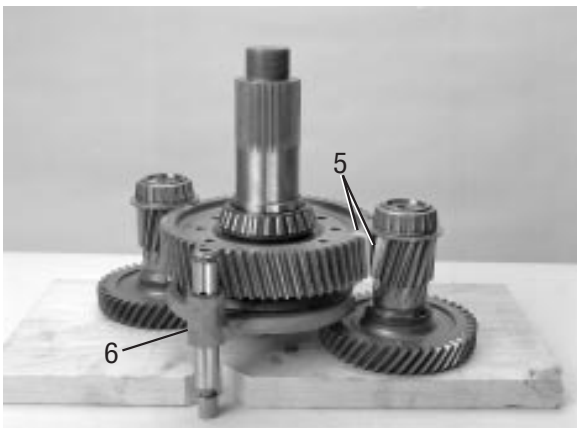
1. For timing purposes, identify and mark with Toolmaker's Dye the two teeth on each Countershaft that are identified with an '0'.
2. Place the Countershafts in the fixture (or on a clean, flat surface if you don't have a fixture) with the marked teeth turned to the middle of the fixture.
3. Position a 2" high spacer, such as a socket, between the Countershafts. (If a fixture is not used, a 3" spacer is required.)



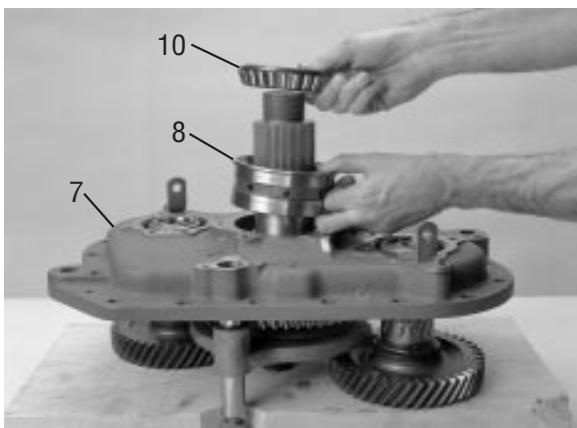
Transmission Overhaul Procedures - Bench Service



4. Install the Synchronizer Assembly on the Output Shaft. The Low Range Synchronizer Ring (side with external friction material) must be facing the Auxiliary Mainshaft Reduction Gear.



5. Match the timing marks on the Auxiliary Mainshaft Reduction Gear with the timing marks on the Countershafts. The Output Shaft will rest on the spacer.
6. With the round hole in the Range Yoke Bar facing up, slide the Range Yoke Assembly into the groove on the Range Synchronizer.



7. Lightly oil the bearing bores on the Auxiliary Housing, and place the Auxiliary Housing over the Countershaft Assemblies and the Output Shaft Assembly.
8. Install the Output Shaft Bearing Race in the Housing bore.
9. Make sure the Output Shaft Bearing Inner Spacer is on the Output Shaft. (The Spacer should have been installed when the Output Shaft components were assembled.)
10. Heat the Rear Output Bearing and install tapered side down on the Output Shaft.

Transmission Overhaul Procedures - Bench Service

11. Install a new gasket.

12. Using the marks made during disassembly as a guide, install the Rear Bearing Cover in the same position as when removed.

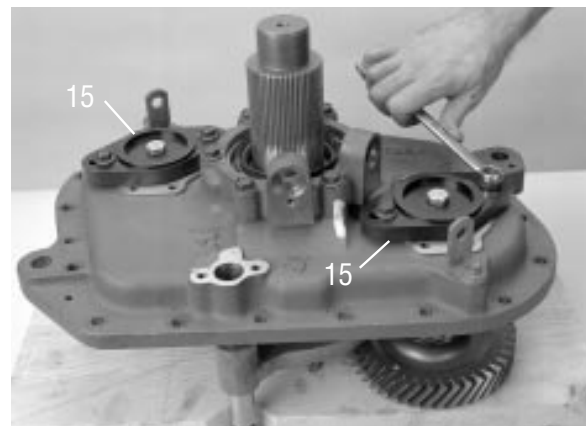
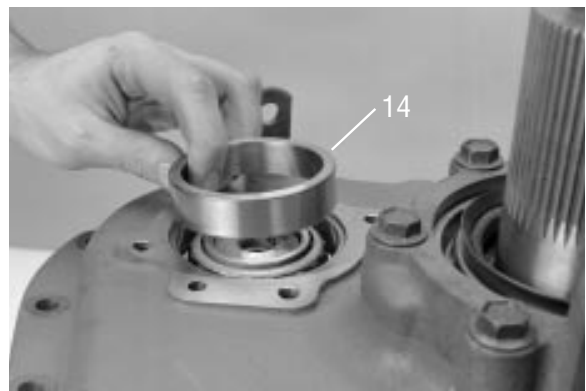
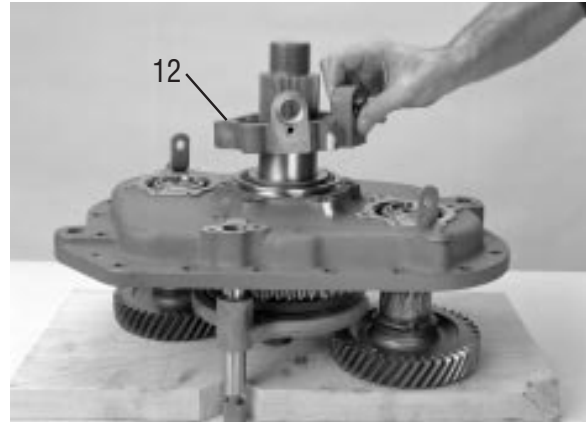
Note: The Rear Bearing Cover can be installed in two positions opposite each other. If the Rear Bearing Cover is not installed in the same position in which it was removed, the Speedometer Cable may not reach the Speedometer after the Transmission is installed in the vehicle. If the Speedometer cannot be connected, the Auxiliary Bearing Cover must be removed and reassembled properly.

13. Apply Eaton®Fuller® Sealant #71205 or equivalent to the six (6) Rear Bearing Cover Retaining Capscrews and install them. Tighten the Capscrews to 40–45 lb. ft. (54–61 N•m) of torque.

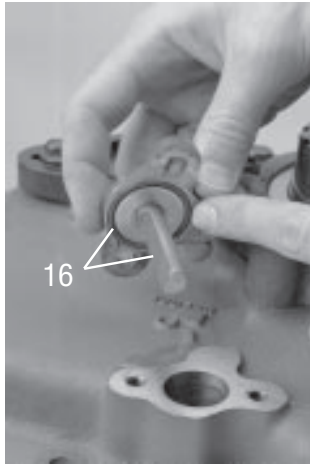
14. Insert the Countershaft Bearing Races in their bores.

Note: If the original parts are being reused and installed in their original locations, the shims can also be installed at this time.

15. Install RR1002TR Support Straps to keep the Auxiliary Countershaft and Bearing Race in alignment. Final installation and shimming of the Countershafts will be done after the Auxiliary Section is installed on the Front Section.



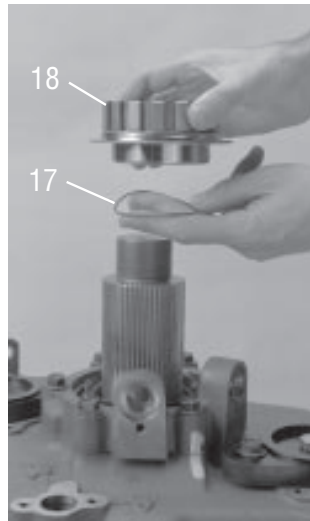
Transmission Overhaul Procedures - Bench Service



16. On the Auxiliary Housing back, install the Range Alignment Lock Cover and O-ring. Rotate the Cover to the unlock position, and secure the Cover in place with a capscrew.

CAUTION

New units don't contain the Lock Cover, so the Shift Bar Housing must remain off until the Auxiliary Section and Range Cylinder are assembled.



17. Install the O-ring over the Output Shaft, and insert it against the Output Bearing.
18. Install the Speedometer Rotor/Seal Sleeve.
19. Install the Output Yoke over the Output Shaft. The Yoke should slide on and stop before contacting the Speedometer Rotor. As the Output Shaft Nut is installed, the Output Yoke will contact the Speedometer Rotor.
20. Torque the Nut to 650–700 lb. ft. (881.28–949.07 N•m).

How to Install the Auxiliary Section

Special Instructions

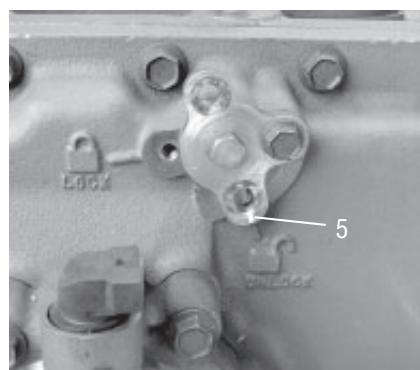
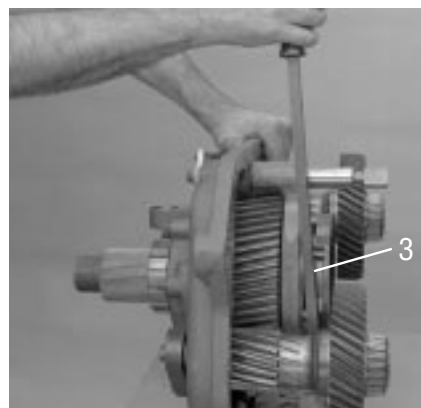
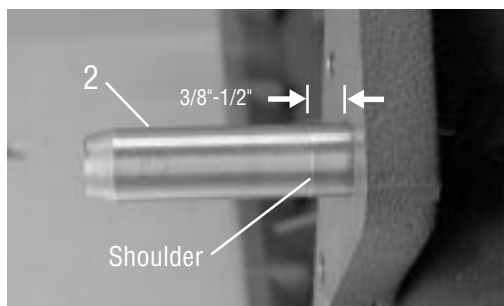
Use crocus cloth to clean the Dowel Pins and Dowel Pin holes of all paint and corrosion. Apply a light coating of grease to the Dowel Pin holes.

Special Tools

- Lifting Device
- RR1006TR Auxiliary Section Lifting Bracket
- Torque Wrench, 50 lb. ft. capacity
- Torque Wrench, 700 lb. ft. capacity
- RR1002TR - Auxiliary Countershaft Support Straps

Procedure -

1. If not previously installed, install the Output Yoke (or flange) and the Output Nut. The Yoke should slide on and stop before contacting the Speedometer Rotor. As the Output Shaft Nut is installed, the Output Yoke will contact the Speedometer Rotor. Torque the Output Nut to 650–700 lb. ft. (881.27–949.07 N•m).
2. Install the Dowel Pins to the proper depth. (3/8' to 1/2' of the shoulder on the Pins must be visible.)
3. Make sure the Auxiliary Section is in **low** gear. If it is not, use one or two large screwdrivers or prybars to apply even rearward pressure to move the Range Sliding Clutch back into the low gear position.
4. Make sure the RR1002TR Support Straps are installed.
5. If the Shift Bar Housing is installed, make sure the Range Bar Lock Cover is rotated counterclockwise into the unlock position.



CAUTION

New units have removed the Lock Cover, so the Shiftbar Housing must remain off until the Range Cylinder and Auxiliary Sections are assembled.

Transmission Overhaul Procedures - Bench Service



6. Position the gasket on the Main Case mounting surface.
7. Attach the RR1006TR Lifting Bracket to the top of the Auxiliary Section, and attach the chain of the Lifting Device to the Bracket.
8. Allow the Lifting Device to support the weight of the Auxiliary Section, and position the Auxiliary Section on the two Dowel Pins. Slide the Auxiliary Section forward.

Note: The Range Yoke Bar must slide into the bore in the Main Case.

Note: To help the Auxiliary Countershafts mesh with the Auxiliary Drive Gear, rotate the Output Yoke to turn the gearing.

Note: The Auxiliary Section can be assembled to the Transmission with the Transmission in the vertical position.

9. Remove the Auxiliary Section Lifting Bracket.

⚠ CAUTION

Do not force or pull the Auxiliary Section into position with capscrews when sliding it into place. It should slide into place fairly easily. If excessive force is necessary, the Countershafts are drooping or the gearing is not in proper mesh, remove the Auxiliary Section and try again.

10. Slide the Auxiliary Section fully into position.
11. Apply Eaton®Fuller® Thread Sealant #71205 to the capscrew threads, and install the 19 capscrews. Torque them to 40–45 lb. ft. (54–61 N•m)
12. Remove the capscrew securing the Range Bar Lock Cover in the unlock position and rotate the Cover to the lock position. Insert the two capscrews to secure the Lock Cover in position. Torque them to 20–23 lb. ft. (27–31 N•m).

Note: To properly align the Lock Cover, the Auxiliary Section must be in Low Range when the capscrews are tightened.
13. Remove the Auxiliary Countershaft Rear Bearing Covers, and shim the Countershafts using the procedure on the following page.

Shim Procedure without a Shim Tool for Tapered Bearings

Special Instructions

The shim procedure can be done in the horizontal or vertical position. The procedure is done the same.

 CAUTION

Use genuine Eaton® replacement gaskets for the Auxiliary Housing and Countershaft Bearing Cover. Do not omit the gaskets. Bearing endplay is influenced by the compressed thickness of the gasket (0.011–0.012" or 0.28–0.30 mm).

The bearing endplay must be checked and adjusted any time a Countershaft, Bearing, or Housing is replaced. If, during reassembly, the same Countershaft, Bearings, Housing, and Shims are reused and kept in the same location, it is not necessary to reset bearing endplay.

The following procedure is used to adjust the endplay for the Auxiliary Countershaft Tapered Bearings. By correctly following this procedure, each Countershaft will have 0.001–0.005" (0.03–0.12 mm) endplay.

Shims must be aligned properly or else the Rear Bearing Cover may be damaged when final torque is applied.

Procedure -

1. The Auxiliary Countershaft Bearing Covers or Countershaft Straps and Shims should be removed. Make sure all old gasket material is cleaned from the gasket mounting surfaces on the Countershaft Bearing Covers and the Auxiliary Housing.
2. Verify that the Auxiliary Section is in gear. When the Output Shaft is rotated, the Countershafts must also rotate. If not, shift the Auxiliary into gear by applying shop air to the High Range Air Port on Range Cylinder to shift into gear.
3. Make sure a 0.100 Countershaft Rear Bearing Shim is installed. Be sure the Countershaft Rear Bearing Races are seated in the Bearing bores.



4. Install two (2) clean 3/8" x 1" Capscrews without washers directly across from each other in each Bearing Cover. Tapped holes in Auxiliary Case must be free of thread adhesive.
5. Evenly tighten the capscrews to 7 lb. in. of torque. Do not install the Countershaft Rear Bearing Cover Gasket. The gap between the Bearing Cover and the Housing surface should be even from side to side.



Note: 7 lb. in. is slightly more than finger tight. Do not overtighten the capscrews. If the capscrews are too tight, the Bearing Cover will become distorted.

Transmission Overhaul Procedures - Bench Service

- Rotate the Output Shaft 4 times clockwise and 4 times counterclockwise. The rotation will seat and align the rollers in each tapered bearing. Re-torque the capscrews to 7 lb. in. If the Countershafts do not rotate, the Range Sliding Clutch or Deep Reduction Sliding Clutch is in neutral. Apply shop compressed air to Shift Cylinders to shift the Sliding Clutches into gear.



- Use a Feeler Gauge, as close to each capscrew location as possible, and measure the gap between the Countershaft Rear Bearing Cover and the Auxiliary Housing Gasket surface. Measure and record the gap at two capscrew locations.



- Average the two Feeler Gauge measurements by adding the measurements together and dividing by 2 as shown in the following example:

Shim Selection Example

Gap 1 = 0.060; Gap 2 = 0.050
Total Gap = 0.060 + 0.050 = 0.110
Average = 110/2 = 0.055
Select Yellow Shim as indicated in the "Shim Table" at the end of this section.

- Locate the Feeler Gauge average measurement in the "Shim Table" to determine the required Shim and Color Code.

Note: The Oil Pump Shim is used when an Auxiliary Oil Pump or PTO is mounted on the Countershaft. The Oil Pump Shims have a smaller outside diameter.

- Remove the Countershaft Rear Bearing Cover and Gauging Shim.
- Place the selected Shim on the Rear Countershaft Bearing Race.
- Position a new gasket on Countershaft Rear Bearing Cover mounting surface.
- Position the Countershaft Rear Bearing Cover over the new gasket.
- Apply Eaton® Fuller® Thread Sealant #71205 or equivalent to the Auxiliary Countershaft Rear Bearing Cover Capscrews and Auxiliary Countershaft Rear Bearing Cover.

Transmission Overhaul Procedures - Bench Service

15. Install the Auxiliary Countershaft Rear Bearing Cover and secure it with the capscrews. Make sure the shim is in the proper location and is not pinched between the cover and the housing. Tighten the capscrews to 40–45 lb. ft. (54–61 Nm).

Note: Use a thick grease to hold the shim in position when installing the Cover.

16. Repeat this procedure for the remaining Countershaft.

Note: Make sure capscrews are properly torqued.

Note: Make sure the Input Shaft rotates.



Shim Table

Feeler Gauge Average Gap	Shim Thickness	Standard Shim Part Number	Oil Pump Shim Part Number	Color Code
0.072–0.075	0.033–0.034	4302345	4302346	Gold
0.69–0.0715	0.036–0.037	21452	21472	Red
0.066–0.0685	0.039–0.040	21453	21473	Pink
0.063–0.0655	0.042–0.043	21454	21474	Brown
0.060–0.0625	0.045–0.046	21455	21475	Tan
0.057–0.0595	0.048–0.049	21456	21476	Orange
0.054–0.0565	0.051–0.052	21457	21477	Yellow
0.051–0.0535	0.054–0.055	21458	21478	Green
0.048–0.0505	0.057–0.058	21459	21479	Light Blue
0.045–0.0475	0.060–0.061	21460	21480	Lavender
0.042–0.0445	0.063–0.064	21461	21481	White
0.039–0.0415	0.066–0.067	21684	21686	Black
0.036–0.0385	0.069–0.070	21685	21687	Silver

Copyright Eaton, 2013

Eaton hereby grant their customers, vendors, or distributors permission to freely copy, reproduce and/or distribute this document in printed format. It may be copied only in its entirety without any changes or modifications. THIS INFORMATION IS NOT INTENDED FOR SALE OR RESALE, AND THIS NOTICE MUST REMAIN ON ALL COPIES.

Note: Features and specifications listed in this document are subject to change without notice and represent the maximum capabilities of the software and products with all options installed. Although every attempt has been made to ensure the accuracy of information contained within, Eaton makes no representation about the completeness, correctness or accuracy and assumes no responsibility for any errors or omissions. Features and functionality may vary depending on selected options.

For spec'ing or service assistance, call 1-800-826-HELP (4357) or visit www.eaton.com/roadranger. In Mexico, call 001-800-826-4357.

Roadranger: Eaton and trusted partners providing the best products and services in the industry, ensuring more time on the road.

Eaton

Vehicle Group
P.O. Box 4013
Kalamazoo, MI 49003 USA
800-826-HELP (4357)
www.eaton.com/roadranger

Printed in USA

For parts or service call us
Pro Gear & Transmission, Inc.



1 (877) 776-4600

(407) 872-1901

parts@eprogear.com

906 W. Gore St.

Orlando, FL 32805

