

# Fuller® Heavy-Duty Transmissions TRSM0670 EN-US

September 2013

RTLO-12713A  
RTLO-12913A  
RTLO-14713A  
RTLO-14718B  
RTLO-14913A  
RTLO-14918B  
RTLO-14918B-T2  
RTLO-16713A  
RTLO-16713A-T2  
RTLO-16718B  
RTLO-16913A  
RTLO-16913A-T2  
RTLO-16918B

RTLO-16918B-T2  
RTLO-18718B  
RTLO-18718B-T2  
RTLO-18913A  
RTLO-18913A-T2  
RTLO-18918B  
RTLO-18918B-T2  
RTLO-20913A  
RTLO-20918B  
RTLO-20918B-T2  
RTLO-22918B  
RTLOC-16909A-T2  
RTLOF-12713A

RTLOF-12913A  
RTLOF-14713A  
RTLOF-14718B  
RTLOF-14913A  
RTLOF-14918B  
RTLOF-14918B-T2  
RTLOF-16713A  
RTLOF-16713A-T2  
RTLOF-16718B  
RTLOF-16913A  
RTLOF-16913A-T2  
RTLOF-16918B  
RTLOF-16918B-T2

RTLOF-18718B  
RTLOF-18913A  
RTLOF-18913A-T2  
RTLOF-18918B  
RTLOF-18918B-T2  
RTLOF-20913A  
RTLOF-20918B  
RTLOF-20918B-T2  
RTLOF-22918B  
RTLOFC-16909A-T2



*Powering Business Worldwide*

BACKED BY

**Roadranger**

SUPPORT

**This Page Intentionally Blank**



## Warnings and Cautions

### ▲ WARNING

Before starting a vehicle always be seated in the Driver's Seat, place the Transmission in Neutral, set the Parking Brakes and disengage the Clutch.

**Before working on a vehicle, place the Transmission in Neutral, set the Parking Brakes and block the wheels.**

**Before towing the vehicle place the Transmission in Neutral, and lift the rear wheels off the ground, remove the Axle Shafts, or disconnect the Driveline to avoid damage to the Transmission during towing.**

The description and specifications contained in this Service Publication are current at the time of printing.

Eaton® reserves the right to discontinue or modify its models and/or procedures and to change specifications at any time without notice.

Any reference to Brand Name in this publication is made as an example of the types of tools and materials recommended for use and should not be considered an endorsement. Equivalents may be used.

This symbol is used throughout this manual to call attention to procedures where carelessness or failure to follow specific instructions may result in personal injury and/or component damage.

Departure from the instructions, choice of tools, materials and recommended parts mentioned in this publication may jeopardize the personal safety of the service technician or vehicle operator.



**WARNING:** Failure to follow indicated procedures creates a high risk of personal injury to the servicing technician.

**CAUTION:** Failure to follow indicated procedures may cause component damage or malfunction.

**IMPORTANT:** Highly recommended procedures for proper service of this unit.

**Note:** Additional service information not covered in the service procedures.

**Tip:** Helpful removal and installation procedures to aid in the service of this unit.

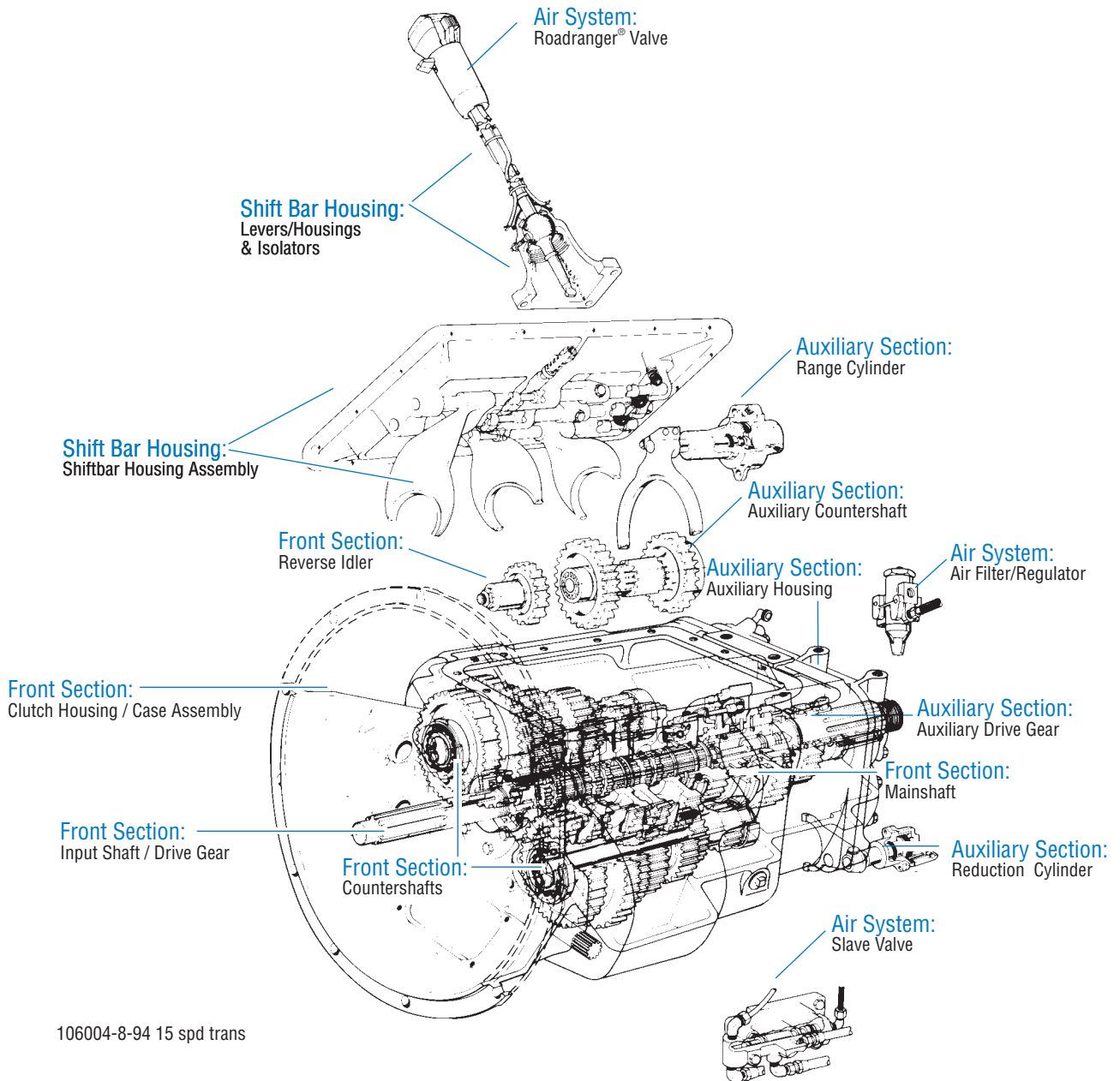
Always use genuine Eaton® replacement parts.

### ▲ CAUTION

**Conversion of a 13-Speed to an 18-Speed by simply changing the Air System will invalidate the User's Warranty and will cause major internal damage to the Auxiliary Section.**

# Introduction

## Transmission Overview



## General Information

Warnings and Cautions .....	i
Transmission Overview .....	ii
Purpose and Scope of Manual .....	1
Serial Tag Information and Model Nomenclature .....	5
Lubrication Specifications .....	7
Tool Specifications .....	9
Transmission Torque Specifications .....	12
Preventive Maintenance Inspection .....	13
Power Flow Diagrams .....	17
Air System Overview .....	36
General Troubleshooting Chart .....	42
Air System Troubleshooting .....	44
Timing Procedures .....	57

## In-Vehicle Service Procedures

How to Remove Oil Filter Adapter .....	61
How to Assemble Oil Filter Adapter .....	62
How to Disassemble Roadranger Valve A-5010 .....	63
How to Assemble Roadranger Valve A-5010 .....	65
How to Disassemble Roadranger Valve A-4900 .....	67
How to Assemble Roadranger Valve A-4900 .....	69
How to Remove the Air Lines and Hoses .....	71
How to Install the Air Lines and Hoses .....	73
How to Remove Compression Type Fittings .....	75
How to Install Compression Type Fittings .....	76
How to Remove Push-to-Connect Type Fittings .....	77
How to Install Push-to-Connect Type Fittings .....	78
How to Remove Rubber 1/4" Air Hoses .....	79
How to Install Rubber 1/4" Air Hoses .....	80
How to Remove the Air Filter/Regulator .....	81
How to Install the Air Filter/Regulator .....	82
How to Remove a Roadranger Valve .....	83
How to Install a Roadranger Valve .....	84
How to Remove a Slave Valve .....	85
How to Install a Slave Valve .....	86
How to Remove the Top-2 Valve Assembly (Transmissions with Top-2 Option Only) .....	87

## In-Vehicle Service Procedures (cont'd)

How to Install the Top-2 Valve Assembly (Transmissions with Top-2 Option Only) .....	88
How to Remove the Gear Shift Lever/Remote Shift Control .....	89
How to Install the Gear Shift Lever/Remote Shift Control .....	90
How to Adjust the Remote Shift Control (LRC Type) .....	91
Neutral Switch Operation and Testing .....	93
How to Remove the Neutral Switch .....	94
How to Install the Neutral Switch .....	95
Reverse Switch Operation and Testing .....	96
How to Remove the Reverse Switch .....	97
How to Install the Reverse Switch .....	98
How to Remove the Shift Bar Housing .....	99
How to Install the Shift Bar Housing .....	101
How to Remove the Oil Seal - Mechanical Speedometer .....	103
How to Install the Oil Seal - Mechanical Speedometer .....	105
How to Remove the Oil Seal - Magnetic Speedometer .....	106
How to Install the Oil Seal - Magnetic Speedometer .....	108
How to Remove the Output Yoke/Companion Flange and Nut .....	110
How to Install the Output Yoke/Companion Flange and Nut .....	111
How to Remove the Output Yoke / Flange and Retaining Cap Screws .....	112
How to Install the Output Yoke / Flange and Retaining Cap Screws .....	113
How to Remove the Auxiliary Section in Chassis .....	114
How to Install the Auxiliary Section in Chassis .....	116
How to Remove the Splitter Cylinder Assembly .....	119
How to Install Splitter Cylinder Assembly .....	121
How to Disassemble the Range Cylinder Assembly - 7 Series .....	124
How to Disassemble the Range Cylinder Assembly - 9 Series .....	125
How to Assemble the Range Cylinder Assembly .....	127

# Table of Contents

---

## Transmission Overhaul Procedures-Bench Service

How to Disassemble the Gear Shift Lever .....	130	How to Disassemble the Countershaft Assemblies ..	197
How to Assemble the Gear Shift Lever .....	132	How to Remove the Input Shaft and	
How to Remove the Shift Bar Housing .....	134	Main Drive Gear .....	199
How to Install the Shift Bar Housing .....	136	How to Disassemble the Mainshaft Assembly .....	202
How to Disassemble the Standard Shift Bar		How to Disassemble the Mainshaft Assembly	
Housing .....	138	with Low Force Gearing .....	204
How to Assemble the Standard Shift Bar Housing ..	141	How to Assemble the Mainshaft Assembly	
How to Assemble the Forward Shift Bar Housing ....	144	with Selective (Adjustable) Thickness	
How to Disassemble the Forward Shift Bar Housing	147	Tolerance Washers .....	206
How to Remove the Input Shaft Assembly		How to Assemble the Mainshaft Assembly with	
(without Main Case disassembly) .....	150	Non-Selective (Non-Adjustable) Tolerance Washers	212
How to Install the Input Shaft Assembly		How to Assemble the Mainshaft Assembly with	
(without Main Case disassembly) .....	152	Low Force Gearing .....	215
How to Remove the Auxiliary Section with		How to Prepare the Main Case for Assembly .....	218
Tapered Bearings .....	154	How to Assemble the Countershaft Assemblies .....	219
How to Remove the Splitter Cylinder Assembly .....	156	How to Assemble the Lower Reverse Idler Gear	
How to Remove the Auxiliary Countershaft		Assembly .....	221
Assembly .....	158	How to Install Countershaft Assemblies .....	225
How to Remove the Splitter Gear .....	161	How to Remove the Integral Oil Pump .....	226
How to Disassemble the Range Cylinder Assembly	162	How to Install the Lower Countershaft Bearings .....	228
How to Disassemble the Output Shaft Assembly ....	164	How to Install the Input Shaft and Main Drive Gear	230
How to Disassemble the Synchronizer Assembly ....	167	How to Install the Mainshaft Assembly .....	232
How to Assemble the Synchronizer Assembly .....	168	How to Install the Upper Countershaft Bearings .....	234
How to Assemble the Output Shaft Assembly .....	170	How to Assemble the Upper Reverse Idler	
How to Install the Splitter Gear .....	172	Gear Assembly .....	237
How to Assemble the Range Cylinder Assembly .....	173	How to Install the Auxiliary Drive Gear Assembly ....	240
How to Install Splitter Cylinder Assembly .....	176	How to Install the Clutch Housing	
How to Install the Auxiliary Countershaft Assembly	179	(with Internal Oil Tube) .....	241
How to Disassemble the Splitter Gear Bearing		How to Disassemble the Integral Oil Pump without	
Assembly .....	182	Auxiliary Oil Tube .....	244
How to Assemble the Splitter Gear Bearing		How to Assemble the Integral Oil Pump without	
Assembly .....	183	Auxiliary Oil Tube .....	247
How to Remove the Auxiliary Drive Gear Assembly	184	How to Install the Integral Oil Pump .....	250
How to Remove the Clutch Housing		How to Disassemble the Integral Oil Pump with	
(with Internal Oil Tube) .....	186	Auxiliary Oil Tube .....	252
How to Disassemble the Upper Reverse Idler		How to Assemble the Integral Oil Pump with	
Gear Assembly .....	189	Auxiliary Oil Tube .....	256
How to Disassemble the Lower Reverse Idler		How to Install the Auxiliary Section .....	260
Gear Assembly .....	191	Shim Procedure without a Shim Tool for	
How to Remove the Upper and Lower		Tapered Bearings .....	262
Countershaft Bearings .....	192	How to Remove the Boosted or Hydraulic Actuator	
How to Remove the Mainshaft Assembly .....	194	and Adapter Housing .....	266
How to Remove the Countershaft Assemblies .....	195	How to Install the Boosted or Hydraulic Actuator	
		and Adapter Housing .....	268

## Purpose and Scope of Manual

This manual is designed to provide information necessary to service and repair the Fuller® Transmissions listed on the front.

## How to use this Manual

The service procedures have been divided into two sections: In-Vehicle Service Procedures and Transmission Overhaul Procedures—Bench Service. In-Vehicle Service Procedures contain procedures that can be performed while the Transmission is still installed in the vehicle. Transmission Overhaul Procedures contain procedures that are performed after the Transmission has been removed from the vehicle.

The procedure sections are laid out with a general heading at the top outside edge of each page followed by more specific headings and the procedures. To find the information you need in these sections, first go to the section that contains the procedure you need. Then look at the heading at the top and outside edge of each page until you find the one that contains the procedure you need.

Transmission Overhaul Procedures follow the general steps for complete disassembly and then assembly of the Transmission.

**Note:** In some instances the Transmission appearance may be different from the illustrations, but the procedure is the same.

## Disassemble Precautions

It is assumed in the detailed assembly instructions that the lubricant has been drained from the Transmission, the necessary linkage and vehicle Air Lines disconnected and the Transmission has been removed from vehicle Chassis. Removal of the Gear Shift Lever Housing Assembly (or Remote Control Assembly) is included in the detailed instructions (How to Remove the Gear Shift Lever). This Assembly **MUST** be detached from the Shift Bar Housing before the Transmission can be removed.

**Follow closely each procedure in the detailed instructions, make use of the text, illustrations, and photographs provided.**

### Assemblies

- When disassembling the various Assemblies, such as the Mainshaft, Countershafts, and Shift Bar Housing, lay all parts on a clean bench in the same sequence as removed. This procedure will simplify assembly and reduce the possibility of losing parts.

### Bearings

- Carefully wash and lubricate all usable bearings as removed and protectively wrap until ready for use. Remove bearings planned to be reused with pullers designed for this purpose.

### Cleanliness

- Provide a clean place to work. It is important that no dirt or foreign material enters the unit during repairs. Dirt is an abrasive and can damage bearings. It is always a good practice to clean the outside of the unit before starting the planned disassembly.

### Input Shaft

- The Input Shaft can be removed from the Transmission without removing the Countershafts, Mainshaft, or Main Drive Gear. Special procedures are required and provided in this manual.

For parts or service call us  
Pro Gear & Transmission, Inc.



**1 (877) 776-4600**

**(407) 872-1901**

**parts@eprogear.com**

**906 W. Gore St.**

**Orlando, FL 32805**



# Introduction

---

## Snap Rings

- Remove Snap Rings with pliers designed for this purpose. Snap rings removed in this manner can be reused, if they are not sprung or loose.

## When Using Tools to Move Parts

- Always apply force to Shafts, Housings, etc., with restraint. Movement of some parts is restricted. Never apply force to driven parts after they stop solidly. The use of soft Hammers, Soft Bars, and Mauls for all disassembly work is recommended.

## Inspection Precautions

Before assembling the Transmission, check each part carefully for abnormal or excessive wear and damage to determine reuse or replacement. When replacement is necessary, use only genuine Fuller<sup>®</sup> Transmission parts to assure continued performance and extended life from your unit.

Since the cost of a new part is generally a small fraction of the total cost of downtime and labor, avoid reusing a questionable part which could lead to additional repairs and expense soon after assembly. To aid in determining the reuse or replacement of any Transmission part, consideration should also be given to the unit's history, mileage, application, etc.

Recommended inspection procedures are provided in the following checklist:

## Bearings

- Wash all Bearings in clean solvent. Check Balls, Rollers, and Raceways for pitting, discoloration, and spalled areas. Replace Bearings that are pitted, discolored, spalled, or damaged during disassembly.
- Lubricate Bearings that are not pitted, discolored, or spalled and check for axial and radial clearances.
- Replace bearings with excessive clearances.
- Check bearing fit. Bearing Inner Races should be tight to Shaft; Outer Races slightly tight to slightly loose in Case Bore. If the Bearing spins freely in the Bore the Case should be replaced.

## Bearing Covers

- Check Covers for wear from thrust of adjacent Bearing. Replace Covers damaged from thrust of Bearing Outer Race.
- Check Cover Bores for wear. Replace those worn or oversized.

## Clutch Release Parts

- Check Clutch Release parts. Replace Yokes worn at Cam surfaces and Bearing Carrier worn at Contact Pads.
- Check Pedal Shafts. Replace those worn at Bushing surfaces.

## Gears

- Check gear teeth for frosting and pitting. Frosting of gear teeth faces presents no threat of Transmission failure. Often in continued operation of the unit, frosted gears "heal" and do not progress to the pitting stage. In most cases, gears with light to moderate pitted teeth have considerable gear life remaining and can be reused, but gears in the advanced stage of pitting should be replaced.
- Check for gears with Clutching teeth abnormally worn, tapered, or reduced in length from clashing during shifting. Replace gears found in any of these conditions.
- Check Axial Clearance of gears.

## **Gear Shift Lever Housing Assembly**

- Check spring tension on Shift Lever. Replace Tension Spring if lever moves too freely.
- If Housing is disassembled, check Gear Shift Lever bottom end and Shift Finger Assembly for wear. Replace both gears if excessively worn.

## **Gray Iron Parts**

- Check all gray iron parts for cracks and breaks. Replace parts found to be damaged.

## **Oil Return Threads and Seals**

- Check oil return threads on the Input Shaft. If return action of threads has been destroyed, replace the Input Shaft.
- Check Oil Seal in Rear Bearing Cover. If sealing action of lip has been destroyed, replace Seal.

## **O-Rings**

- Check all O-Rings for cracks or distortion. Replace if worn.

## **Reverse Idler Gear Assemblies**

- Check for excessive wear from action of Roller Bearings.

## **Shift Bar Housing Assembly**

- Check for wear on Shift Yokes and Block at pads and lever slot. Replace excessively worn parts.
- Check Yokes for correct alignment. Replace sprung Yokes.
- Check lock screw in Yoke and Blocks. Tighten and rewire those found loose.
- If Housing has been disassembled, check Neutral Notches of Shift Bars for wear from Interlock Balls.

## **Sliding Clutches**

- Check all Shift Yokes and Yoke slots in Sliding Clutches for extreme wear or discoloration from heat.
- Check engaging teeth of Sliding Clutches for partial engagement pattern.

## **Splines**

- Check Splines on all shafts for abnormal wear. If Sliding Clutch gears, Companion Flange, or Clutch Hub has wear marks in the Spline sides, replace the specific shaft effected.

## **Synchronizer Assembly**

- Check Synchronizer for burrs, uneven and excessive wear at contact surface, and metal particles.
- Check Blocker Pins for excessive wear or looseness.
- Check Synchronizer contact surfaces on the Synchronizer cups for wear.

## **Washers**

- Check surfaces of all washers. Washers scored or reduced in thickness should be replaced.



# Introduction

---

## Assembly Precautions

Make sure that Case interiors and Housings are clean. It is important that dirt and other foreign materials are kept out of the Transmission during assembly. Dirt is an abrasive and can damage polished surfaces of Bearings and Washers. Use certain precautions, as listed below, during assembly.

### Axial Clearances

- Maintain original Axial Clearances of 0.006–0.015 in. for Mainshaft Gears.

### Bearings

- Use a Flange-End Bearing Driver for bearing installation. These special drivers apply equal force to both Bearing Races, preventing damage to Balls/Rollers and Races while maintaining correct Bearing alignment with Bore and Shaft. Avoid using a Tubular or Sleeve-Type Driver, whenever possible, as force is applied to only one of the Bearing Races.

### Cap Screws

- To prevent oil leakage and loosening, use Fuller<sup>®</sup> Sealant #71205 on all Cap Screws.

### Gaskets

- Use new Gaskets throughout the Transmission as it is being rebuilt. Make sure all Gaskets are installed. An omission of any Gasket can result in oil leakage or misalignment of Bearing Covers.

### Initial Lubrication

- Coat all Limit Washers and Shaft Splines with Lubricant during assembly to prevent scoring and galling of such parts.

### O-Rings

- Lubricate all O-Rings with silicon lubricant.

### Universal Joint Companion Flange or Yoke

- Pull the Companion Flange or Yoke tightly into place with the Output Shaft Nut, using 650–700 lb-ft (881.28–949.07 N•m) of torque. Make sure the Speedometer Drive Gear or a Replacement Spacer of the same width has been installed. Failure to pull the Companion Flange or Yoke tightly into place can result in damage to the Mainshaft Rear Bearing.

 **IMPORTANT**

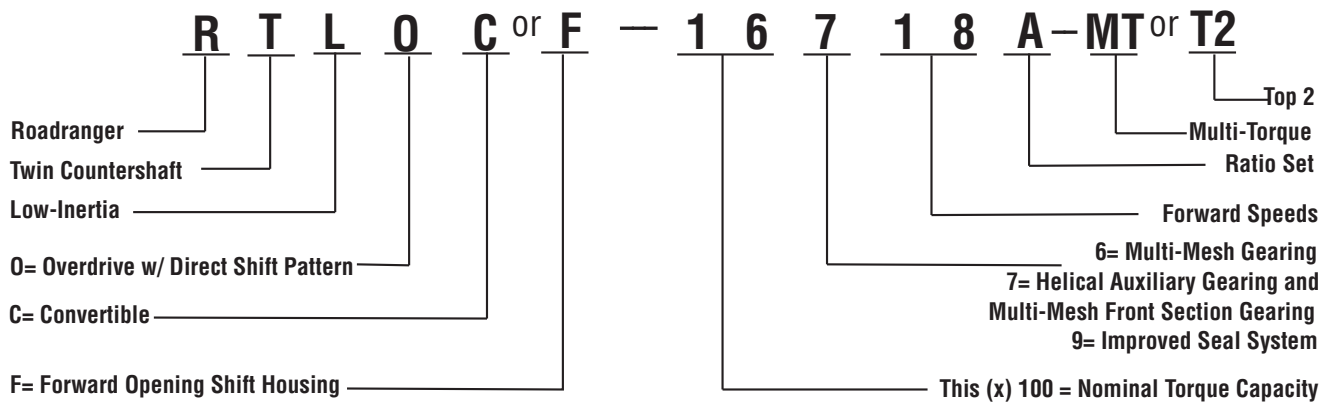
See the appropriate Illustrated Parts Lists (specified by model series) to ensure that proper parts are used during assembly of the Transmission.

## Serial Tag Information and Model Nomenclature

Transmission model designation and other Transmission identification information are stamped on the Transmission Tag. To identify the Transmission model designation and Serial Number, locate the Tag on the Transmission and then locate the numbers as shown.

When calling for service assistance or parts, have the Model and Serial Numbers handy.

**Do not remove or destroy the Transmission Identification Tag.**



The Model Number gives basic information about the Transmission. Use this number when calling for service assistance or replacement parts.

### Serial Number

The Serial Number is the sequential identification number of the Transmission. Before calling for service assistance, write the number down. It may be needed.

### Bill of Material or Customer Number

This number may be located below the Model and Serial Numbers. It is a reference number used by Eaton.

# Model Designations

---

## Model Options

### Torque Rating

The torque rating of the Transmission specified in the Model Number is the Input Torque Capacity in lb-ft. Various torque ratings are available. For more information, call your Eaton Regional Sales and Service Office at 1-800-826-HELP (4357).

### Shift Bar Housings

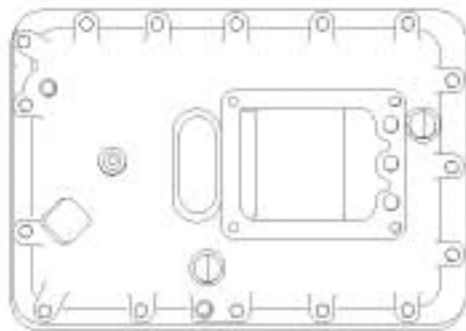
Two types of Shift Bar Housings are available for this Transmission. Both are described and shown below.

#### Standard

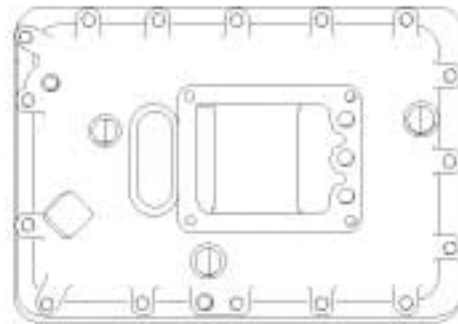
The standard Shift Bar Housing has a Gear Shift Lever opening that is located toward the rear of the Transmission.

#### Forward

The forward Shift Bar Housing has a Gear Shift Lever opening located three inches closer to the Transmission front than the standard opening. This forward design allows greater flexibility in mounting the Transmission and is indicated by an "F" in the Model Number.



**Standard Opening**



**Forward Opening**

### Lubrication Pumps

Three types of Lubrication Pumps are available for use on this Transmission and are described below:

**Internal:** An internal Lubrication Pump is located in the lower front of the Transmission and is driven off the Upper Countershaft. 13-Speed Transmissions rated 1550 lb-ft and above include the Internal Pump standard. All 18-Speed Transmissions contain the Internal Lube Pump.

**Auxiliary Countershaft:** An Auxiliary Countershaft Pump is mounted on the rear of the Transmission and driven off the Auxiliary Countershaft.

**PTO Driven:** A PTO driven pump is externally mounted on the 6 or 8 bolt PTO openings and driven off the PTO Gear.

### Power Take Off (PTO) Usage

PTOs can be mounted in the following way:

**6 or 8 Bolt:** The 6 or 8 bolt openings are standard with the Transmission. The PTO is mounted to the opening and driven from the PTO Gear on the Front Countershaft.

**Thru-Shaft:** The Thru-Shaft PTO mounts on the rear of the Transmission. It requires a special Auxiliary Housing and Main Case Countershaft with Internal Splines.

## Lubrication Specifications

**▲ IMPORTANT**

**Transmission Filters should be changed during regular lube intervals. Inspection of the Transmission Filter should be conducted during preventive maintenance checks for damage or corrosion. Replace as necessary.**

- For a list of Eaton® Approved Synthetic Lubricants, see TCMT0021 or call 1-800-826-HELP (4357).
- The use of lubricants not meeting these requirements will affect warranty coverage.
- Additives and friction modifiers must not be introduced. Never mix engine oils and gear oils in the same Transmission.

## Transmission Operating Angles

If the Transmission operating angle is more than 12 degrees, improper lubrication will occur. The operating angle is the Transmission mounting angle in the Chassis plus the percent of upgrade (expressed in degrees). For operating angles over 12 degrees, the Transmission must be equipped with an Oil Pump or Cooler kit to insure proper lubrication.

## Operating Temperatures with Oil Coolers

The Transmission must not be operated consistently at temperatures above 250 °F. Operation at temperatures above 250 °F [121 °C] causes loaded gear tooth temperatures to exceed 350 °F [177 °C] which will ultimately destroy the heat treatment of the gears. If the elevated temperature is associated with an unusual operating condition that will reoccur, a Cooler should be added, or the capacity of the existing cooling system increased.

The following conditions in any combination can cause operating temperatures of over 250 °F [121 °C]:

- Operating consistently at slow speed.
- High ambient temperatures.
- Restricted air flow around Transmission.
- Use of engine retarder.
- High horsepower operation.

**Note:** Transmission Coolers must be used to reduce the operating temperatures when the above conditions are encountered.

# Lubrication

---

## Oil Cooler Chart

Table 4

<b>Transmission Oil Coolers are:</b>
Recommended <ul style="list-style-type: none"><li>• With engines of 350 H.P. and above.</li></ul>
Required <ul style="list-style-type: none"><li>• With engines 399 H.P. and above and GCW's over 90,000 lbs.</li><li>• With engines 399 H.P. and above and 1400 lb-ft (1898.15 N•m) or greater torque.</li><li>• With engines 1500 lb-ft (2033.73 N•m) and above</li></ul>
18-speed AutoShift Transmissions require use of an Eaton® supplied Oil-to-Water Cooler or approved equivalent. <ul style="list-style-type: none"><li>• With engines 450 H.P. and above.</li></ul>

## Tool Specifications

Some repair procedures pictured in this Manual show the use of specialized tools. Their actual use is recommended as they make Transmission repair easier, faster, and prevent costly damage to critical parts.

For the most part, ordinary Mechanic's Tools such as Socket Wrenches, Screwdrivers, etc., and other standard shop items such as a Press, Mauls and Soft Bars are the only tools needed to successfully disassemble and reassemble any Fuller® Transmission.

The following tables list and describe the typical tools required to properly service this model Transmission above and beyond the necessary basic Wrenches, Sockets, Screwdrivers, and Pry Bars.

## General Tools

The following tools are available from several Tool Manufacturers such as Snap-On, Mac, Craftsman, OTC, and many others:

Tool	Purpose
0–100 lb-ft 1/2" drive Torque Wrench	General torquing of fasteners (Typically 15–80 lb-ft [20.34–108.47 N•m])
0–700 lb-ft 3/4" or 1" drive Torque Wrench	Torquing of Output Nut to 650–700 lb-ft (881.28–949.07 N•m)
0–50 lb-in 3/8" drive Torque Wrench	General torquing of fasteners
0–30 lb-in 1/4" drive Torque Wrench	Torquing of Cap Screws to 7 lb-in (0.79 N•m) during Auxiliary Countershaft Bearing endplay setting procedure
70 MM or 2 2/4" Socket - Standard Depth	To remove the Output Shaft Nut
Snap Ring Pliers - Large Standard External	To remove the Snap Rings at the Auxiliary Drive Gear, Input Shaft Bearing, and Countershaft Bearings
Feeler Gauges	To set Mainshaft Washer Endplay and Auxiliary Tapered Bearing Endplay
Rolling Head Pry Bar	To remove the Auxiliary Drive Gear Bearing
(2) Air Pressure Gauges 0–100 PSI (0–1034 kPa)	To troubleshoot and verify correct operation of Air System
Universal Bushing Driver	To remove and install Clutch Housing Bushings. Bushing OD = 1.125 in., ID = 1.000 in.

# Recommended Tools

## Special Tools

The following Transmission Tools are available directly from K-Line Industries. To obtain any of these tools listed, contact K-Line by phone or visiting the online store.

**K-Line Industries, Inc.**  
 315 Garden Avenue  
 Holland, MI 49424  
**1-800-824-KLINE (5546)**  
<http://www.klineind.com/>

K-Line Part #	Tool	Tool Description
RR1001TR-1	Driver - Output Seal Slinger	Used to install Output Seal Protective Slinger on FR & RT-Series (Gen 9) Transmission Output Yokes.
RR1001TR-2	Driver - Output Seal	Used to install Output Seal in Rear Bearing Cover on RT-Series (Gen 6 & 7) Transmissions with 2.75" Output Shaft.
RR1001TR-4	Driver - Output Seal Slinger	Used to install Output Seal Protective Slinger on RT-Series (Gen 6 & 7) Transmission Output Yokes.
RR1001TR-8	Driver - Output Seal	Used with Seal Driver RR1001TR-2 to install Output Seal in Rear Bearing Cover on FR & RT-Series (Gen 9) Transmissions.
RR1002TR	Auxiliary Countershaft Support Straps	Used to support the aux-Countershaft Assemblies when servicing the aux-section on FR & RT-Series (Gen 7 & 9) Transmissions.
RR1004TR	Mainshaft Lifting Hook	Used to remove/install Mainshaft Assembly into the Transmission Main Case.
RR1005TR	Driver - Input Bearing	Used to install the Input Bearing on Transmissions with 2" & 1.75" Input Shafts.
RR1006TR	Auxiliary Section Lifting Bracket	Used to lift Transmission Auxiliary Sections.
RR1007TR	Shimming Gauge - Auxiliary Countershaft (0.100")	Used for setting proper Auxiliary Countershaft Bearing clearance on FR-Series and RT-Series (Gen 7 & 9) Transmissions.
RR1010TR	Slide Hammer	Used to remove Bearing Races, Reverse Idler Shafts, and Seals.
RR1011TR-1	Slide Hammer Attachment	Used for removing Output Seals.
RR1011TR-2	Slide Hammer Attachment	Used for removing Bearing Races from the Transmission Case.
RR1011TR-3	Slide Hammer attachment	Used for removing Bearing Races from the Transmission Case.
RR1012TR-2	Driver - Countershaft Front Bearings	Used to install Front Countershaft Bearings on RT-Series Transmissions.
RR1012TR-3	Puller - Countershaft Front Bearings	Used to remove Front Countershaft Bearings on RT-Series Transmissions.
RR1012TR-4	Driver - Countershaft Rear Bearings	Used to install Rear Countershaft Bearings, RT-Series Transmissions.
RR1012TR-5	Driver - Auxiliary Countershaft Bearings	Used to install Auxiliary Countershaft Bearings on FR & RT-Series Transmissions with Auxiliary Section helical gearing.
RR1012TR-6	Driver - Auxiliary Countershaft Bearings	Used to install Auxiliary Countershaft Bearings on RT-Series Transmissions with Auxiliary Section spur gearing.
RR1013TR	Timing Block - RT-Series Countershaft	Used to support the Upper Countershaft during Main Box assembly on RT-Series Transmissions.

## Recommended Tools

K-Line Part #	Tool	Tool Description
RR1015TR	Driver - Countershaft Front/Rear bearings	Used to install Front and Rear Countershaft Bearings on FR-Series Transmissions.
RR1017TR	Pusher - Countershaft	Used to push the Countershaft Assembly rearward to create clearance for Bearing Puller on FR & RT-Series Transmissions.
RR1019TR	Hand Maul	Used with Bearing and Seal Drivers for part installation/removal.
RR1020TR	Soft Bar	Used with hand Maul to remove parts from the Transmission.
RR1022TR	Countershaft Support Tool	Used to support the Upper Countershaft during Main Box disassembly on FR & RT-Series Transmissions.
RR1023TR	Puller - Input Bearing	Used to remove the Input Bearing on FR & RT-Series Transmissions.
RR1024TR	Driver - Output Bearing	Used to install the Output Bearing on FR & RT-Series Transmissions.

### Shop Equipment

Tool	Purpose
20 Ton capacity Press	To press Countershaft Gears from Countershaft.

### Eaton Aftermarket Parts

The following tools are available through Eaton Aftermarket Parts. To obtain any of the tools listed, contact your local Eaton Parts Distributor.

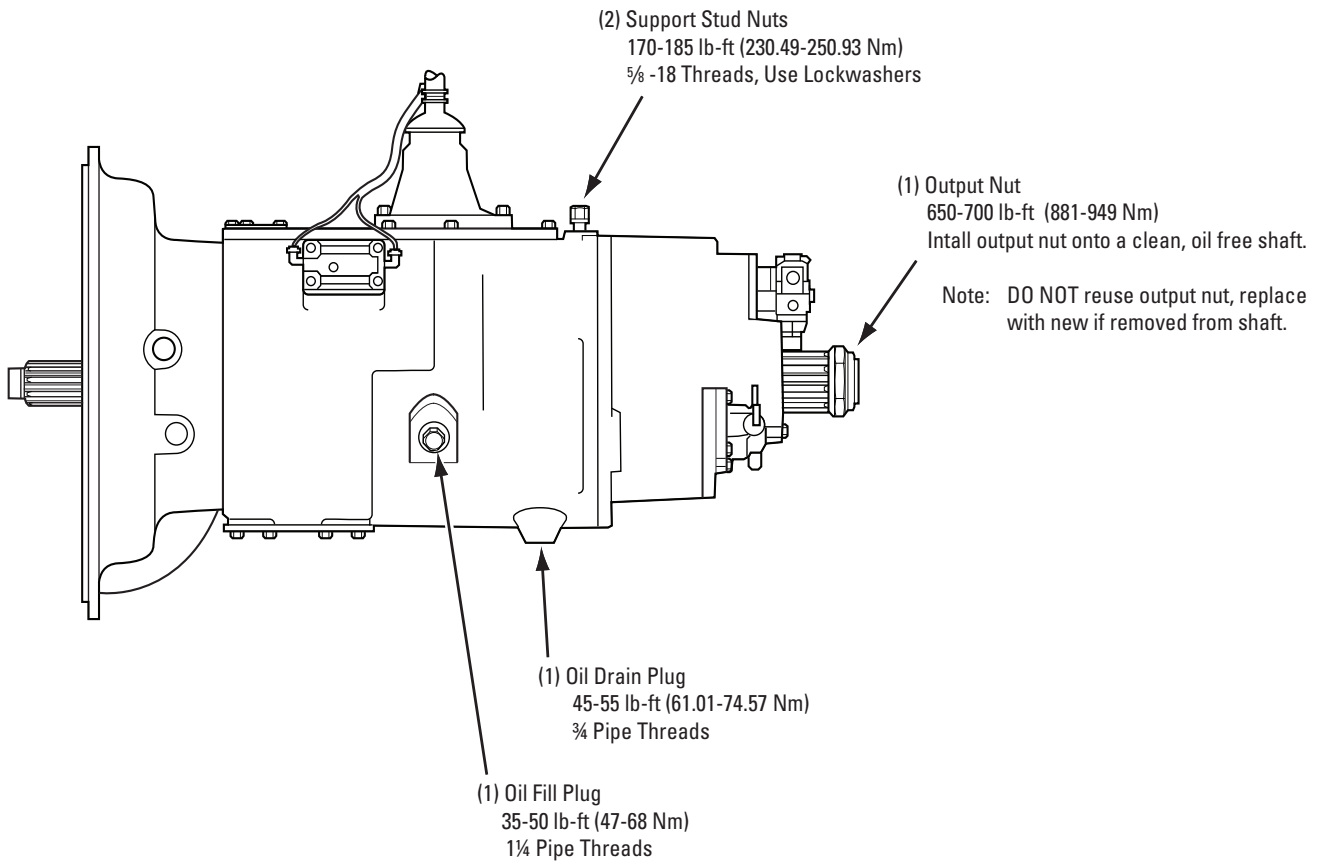
Tool	Purpose	Eaton Part Number
5/32" Air Line Release Tool	To remove 5/32" Air Lines from Push-to-Connect Fittings.	P/N 4301157 included in Kit K-2394
Air Line Cutting Tool	To cut plastic Air Lines smoothly and squarely.	P/N 4301158 included in Kit K-2394.



# Recommended Tools

## Transmission Torque Specifications

Correct torque application is extremely important to assure long Transmission life and dependable performance. Over-tightening or under-tightening can result in a loose installation and in many instances, eventually cause damage to Transmission Gears, Shafts, and/or Bearings. Use a Torque Wrench whenever possible to attain recommended lb-ft ratings. Do not torque Cap Screws dry.



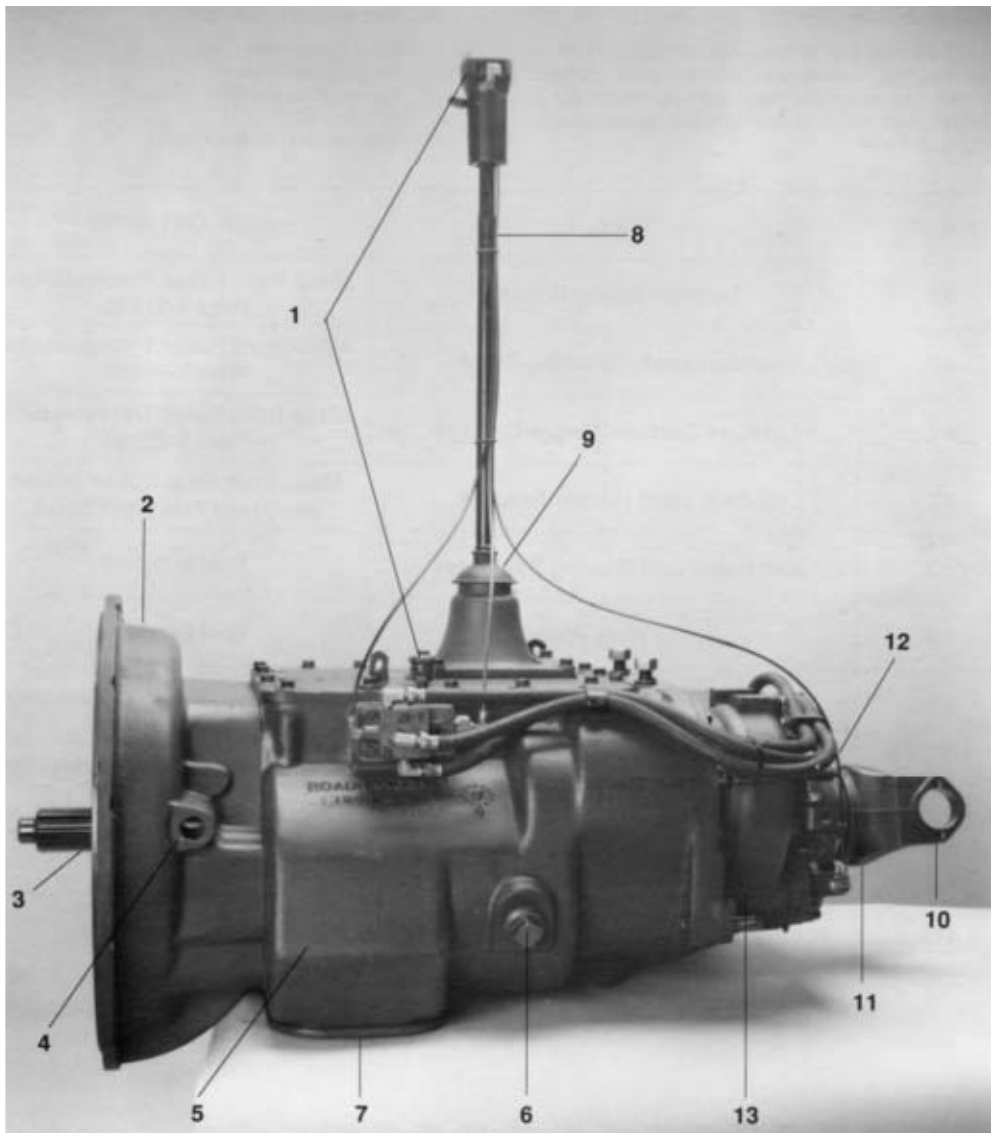
## Preventive Maintenance Inspection

Everyday there are countless vehicles operating over the highways with Transmissions in such a neglected mechanical condition, they can be referred to as failures looking for a place to break down. They lack a proper and organized preventive maintenance program.

Preventive maintenance is a general term which applies to all procedures necessary to have maximum life and satisfactory service at the lowest possible cost, short of removing and repairing the unit.

A number of conditions contrary to good preventive maintenance can generally be pointed to when inspecting a failed Transmission. Taking a few minutes every so many hours or miles to do a few simple checks could help avoid eventual breakdown or reduce the repair cost. If the Transmission is not cared for, it will breakdown.

## Preventative Maintenance Check Points



**Note:** Transmission appearance may differ, however the procedure is the same.

# Preventive Maintenance

---

1. **Air System and Connections**
  - Check for leaks, worn Air Lines, loose connections and Cap Screws.
2. **Clutch Housing Mounting**
  - Check all Cap Screws of Clutch Housing flange for looseness.
3. **Clutch Release Bearing** (Not Shown)
  - Remove Hand Hole Cover and check Radial and Axial Clearance in Release Bearing.
  - Check relative position of thrust surface of Release Bearing with Thrust Sleeve on Push-type Clutches.
4. **Clutch Pedal Shaft and Bores**
  - Pry upward on Shafts to check wear.
  - If excessive movement is found, remove Clutch Release Mechanism and check Bushings on Bores and wear on Shafts. See OEM literature.
5. **Lubricant**
  - See Lubrication Manual TCMT0021.
6. **Oil Filter**
  - Oil Filter Inspection (during vehicle PM schedule):
    - Inspect Oil Filter for damage or rust. Replace as necessary.
    - Inspect Oil Filter Adapter for damage or leakage. Replace as necessary.
  - Oil Filter Replacement
    - Replace every 100,000 miles and top off fluid.
    - Every Transmission fluid change.
7. **Filler and Drain Plugs**
  - Remove Filler Plugs and check level of lubricant at specified intervals. Tighten fill and Drain Plugs securely.
8. **Cap Screws and Gaskets**
  - For applicable models, check all Cap Screws, especially those on PTO Covers and Rear Bearing Covers for looseness which would cause oil leakage.
  - Check PTO opening and Rear Bearing Covers for oil leakage due to faulty Gasket.
9. **Gear Shift Lever**
  - Check for looseness and free play in Housing. If Lever is loose in Housing, proceed with Check No. 10.
10. **Gear Shift Lever Housing Assembly**
  - If present, remove Air Lines at Air Valve or Slave Valve. Remove the Gear Shift Lever Housing Assembly from the Transmission.
  - Check the Tension Spring and Washer for set and wear.
  - Check the Gear Shift Lever Spade Pin and slot for wear.
  - Check bottom end of Gear Shift Lever for wear and check slot of Yokes and Blocks in Shift Bar Housing for wear at contact points with Shift Lever.

## Checks With Drive Line Dropped

11. **Universal Joint Companion Flange or Shaft Nut**
  - Check for tightness. Tighten to recommended torque.
12. **Output Shaft** (Not Shown)
  - Pry upward against Output Shaft to check radial clearance in Mainshaft Rear Bearing.

## Checks With Universal Joint Companion Flange or Yoke Removed

**Note:** If necessary, use solvent and shop rag to clean sealing surface of Companion Flange or Yoke. Do not use Crocus Cloth, Emery Paper, or other abrasive materials that will mar surface finish.

### 13. Splines on Output Shaft (Not Shown)

- Check for wear from movement and chucking action of the Universal Joint Companion Flange or Yoke.

### 14. Mainshaft Rear Bearing Cover (Not Shown)

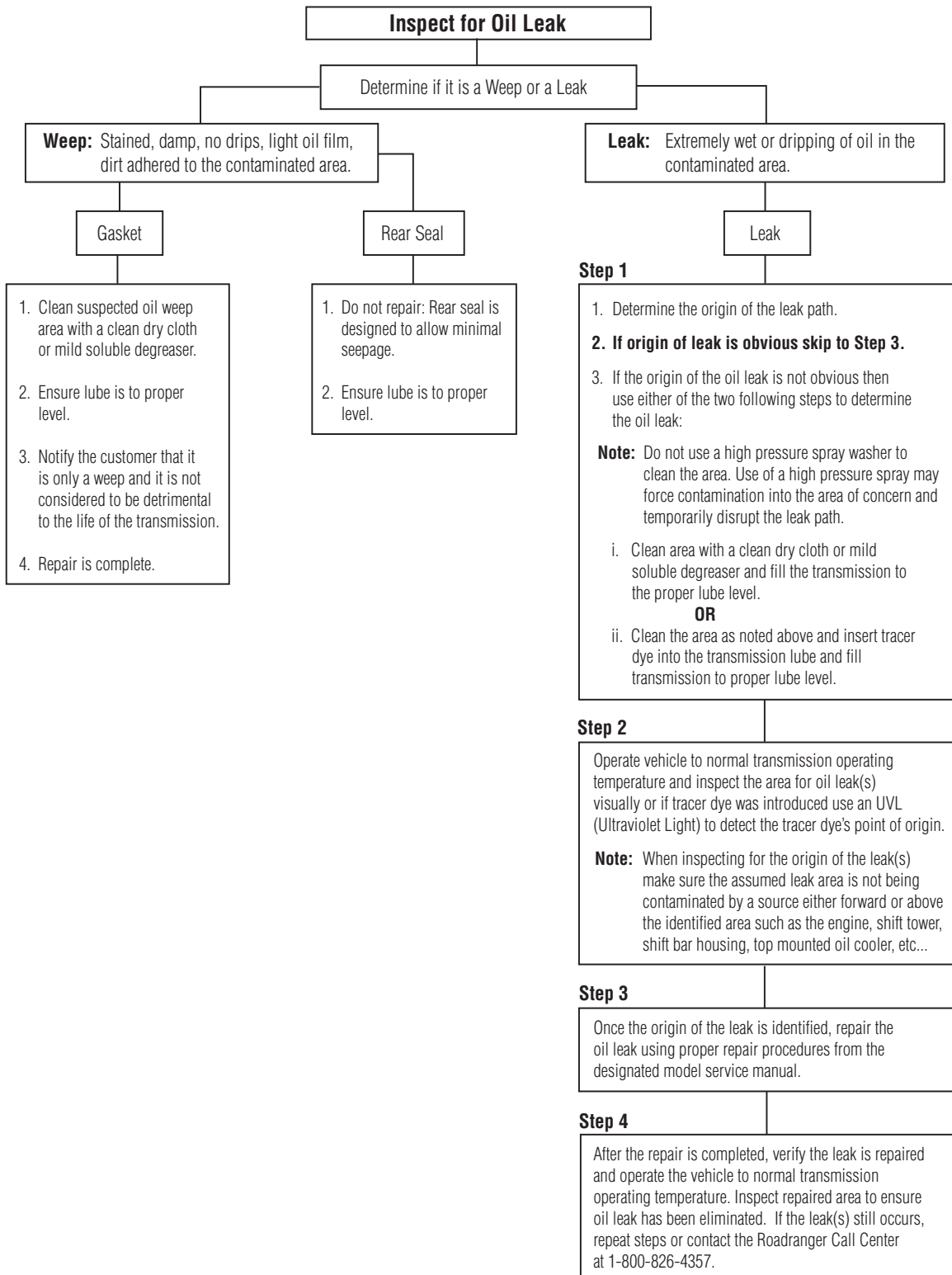
- Check Oil Seal for wear.

## Inspection

Part to Inspect	What to Check For	Action to be Done
Speedometer Connections	Speedometer Cables should not be loose.	Applied hydraulic Thread Sealant #71208 to threads, torque Speedometer Sleeve to 35–50 lb-ft (47.45–67.79 N•m).
	Should be an O-Ring or gasket between the mating Speedometer Sleeve and the Rear Bearing Cover.	Replace the O-Ring/gasket if damaged or missing.
Rear Bearing Cover Cap Screws, Gasket, and Nylon Collar	Check Retaining Cap Screws for tightness.	Apply Eaton Sealant #71205 to the Cap Screw threads, torque to 35–45 lb-ft (47.45–61.01 N•m).
	Verify Nylon Collar and Gasket are installed at the chamfered hole, aligned near the mechanical Speedometer opening.	Use new parts if need to replace. Apply Eaton Sealant #71205 to the Cap Screw threads, torque to 35–45 lb-ft (47.45–61.01 N•m).
	Verify that a Rear Bearing Cover gasket is in place.	Install a new Gasket if Rear Bearing Cover was removed.
Output Shaft Nut	Check the Output Shaft Nut for tightness.	Torque the Output Shaft Nut to 650–700 lb-ft (881.28–949.07 N•m). Do not over torque the Output Nut.
PTO Covers and Openings	Check the Cap Screws for tightness.	Apply Eaton Sealant #71205 to the Cap Screw threads. Torque 6 bolt PTO Cap Screws to 35–45 lb-ft (47.45–61.01 N•m), 8 bolt PTO Cap Screws to 50–65 lb-ft (67.79–88.13 N•m).
Gray Iron Parts	Check Front Bearing Cover, Front Case, Shift Bar Housing, Rear Bearing Cover, and Clutch Housing for cracks or breaks.	Replace parts found to be damaged.
Front Bearing Cover	Check return threads for damage.	If threads damaged, replace the Input Shaft.
	Check the Cap Screws for tightness.	Torque the Cap Screws to 35–45 lb-ft (47.45–61.01 N•m).
Oil Cooler and Oil Filter	Check all connectors, Fittings, Hoses, and Filter Element for tightness.	Tighten any loose Fittings.
Oil Drain Plug, Oil Fill Plug	Check the Oil Drain Plug and the Oil Fill Plug for leakage.	Torque the Oil Drain Plug to 45–55 lb-ft (61.01–74.57 N•m), Oil Fill Plug to 60–70 lb-ft (81.35–94.91 N•m).

# Preventive Maintenance

## Oil Leak Inspection Process

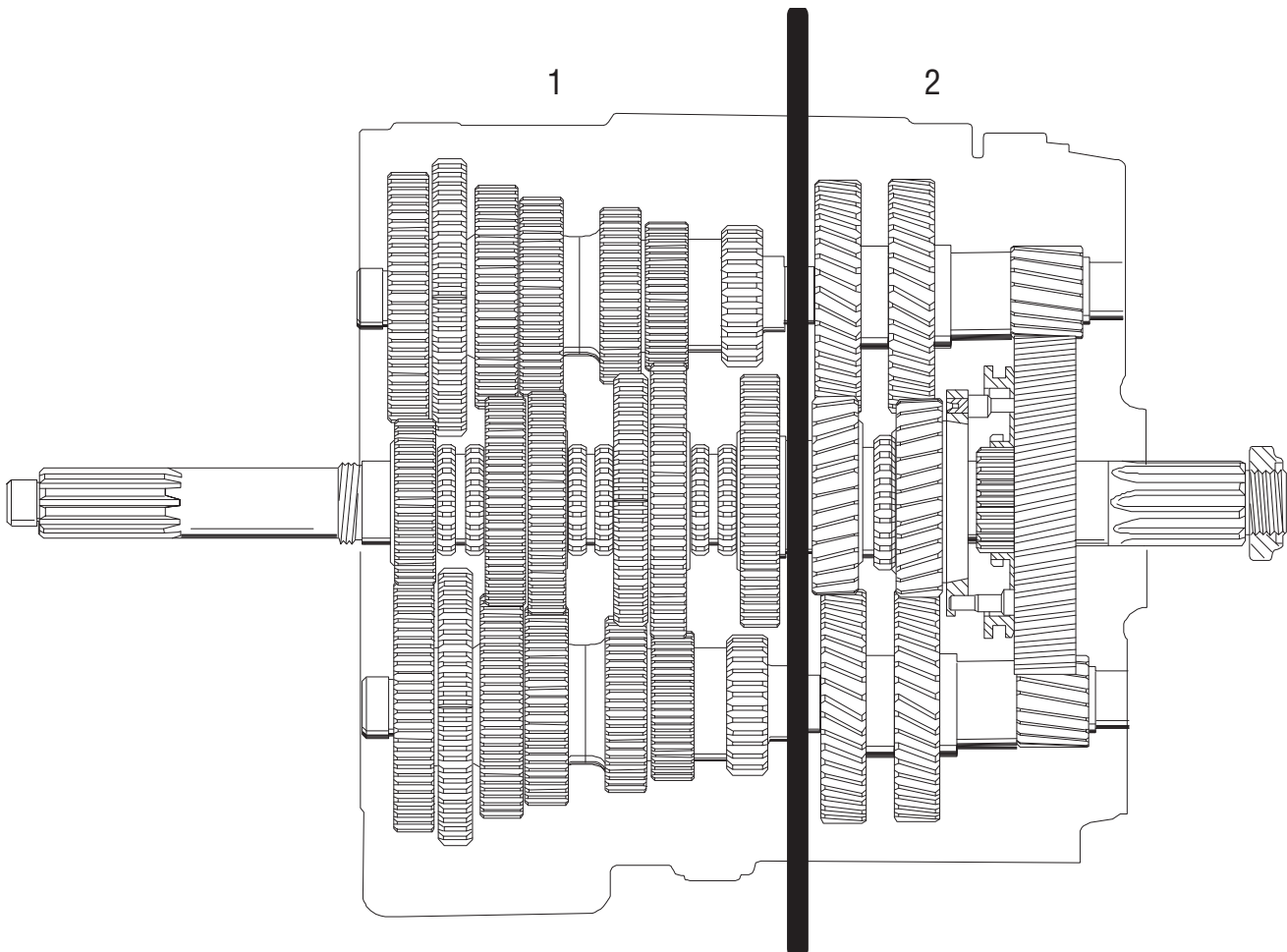


## Power Flow Diagrams

An understanding of the engine's Power Flow through a Transmission in each particular gear will assist the Technician in troubleshooting and servicing a Transmission.

The Fuller<sup>®</sup> Transmission can be thought of as two separate "Transmissions" combined into one unit. The first "Transmission" or Front Section contains six Gear Sets which are shifted with the Gear Shift Lever. The second "Transmission" called the Auxiliary Section, contains three Gear Sets and is shifted with air pressure.

**Note:** This Transmission is referred to as a Constant Mesh Type Transmission. When in operation, all gears are turning even though only some of them are transferring power.



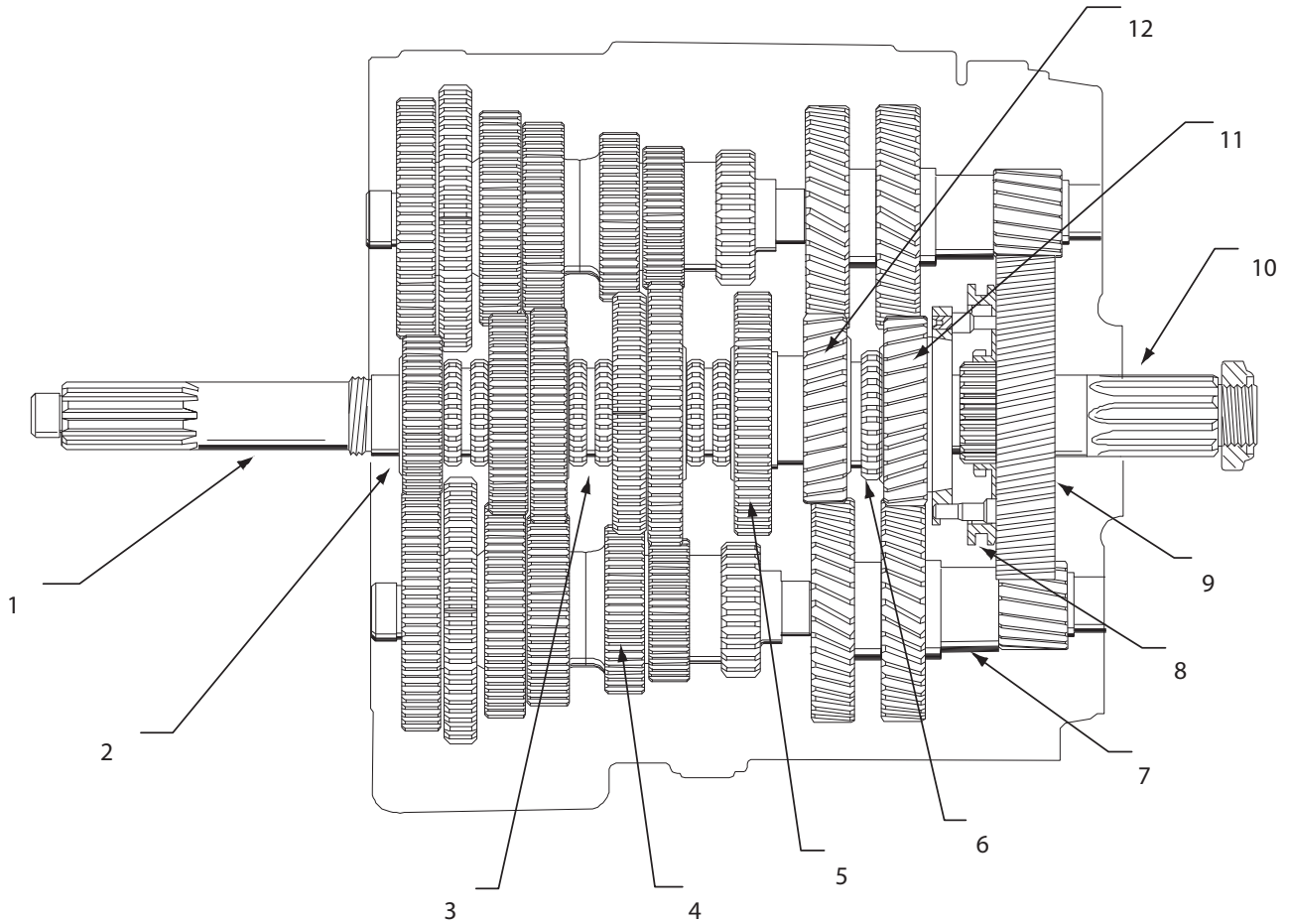
### ***Cross Sectional View***

*1. Front Section*

*2. Auxiliary Section*

# Power Flow

The Transmission components in the figure below shows the Transmission with the main components called out. Note that the Transmission is in the Neutral position because the Sliding Clutches are all in their center positions and not engaged in any gears.



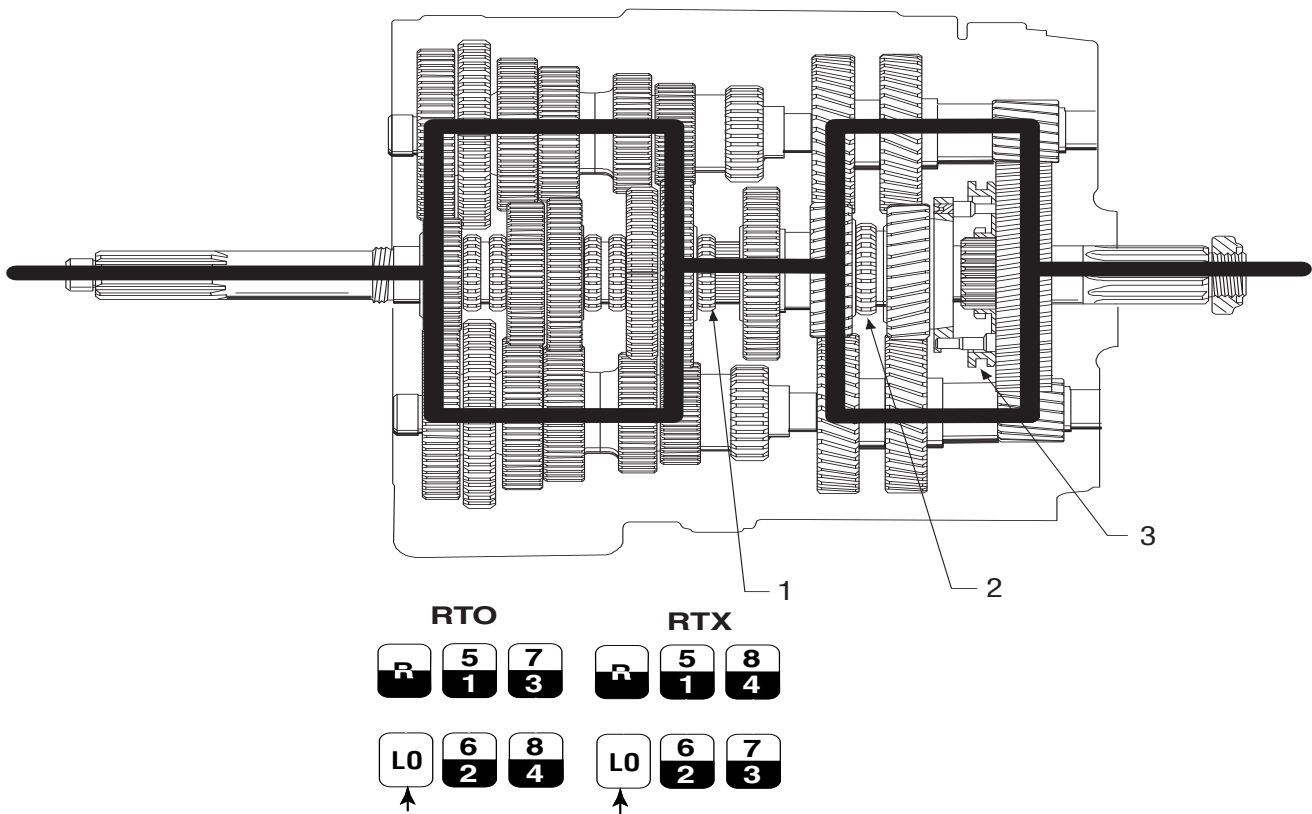
## **Transmissions Components**

- 1. Input Shaft
- 2. Main Drive Gear
- 3. Sliding Clutch
- 4. Countershaft
- 5. Mainshaft Gear
- 6. Auxiliary Splitter Clutch (slides on Front Section Mainshaft)
- 7. Auxiliary Countershaft
- 8. Range Sliding Clutch
- 9. Auxiliary Mainshaft Reduction Gear
- 10. Output Shaft (Auxiliary Mainshaft)
- 11. Splitter Gear
- 12. Auxiliary Drive Gear

## Front Section Power Flow

**Note:** The heavy lines in the figure below outline the Power Flow description. For help in understanding the Transmission components, refer to the figure "Transmission Components" on the previous page.

1. Power (torque) from the vehicle's engine is transferred to the Transmission's Input Shaft.
2. The Input Shaft rotates the Main Drive Gear through internal Splines in the hub of the Gear.
3. The Main Drive Gear meshes with both Countershaft driven gears and the torque is split between both Countershafts.
4. Because the Countershaft Gears are in constant mesh with the Mainshaft Gears, all the Front Section gearing rotates. However, only the engaged or selected Mainshaft Gear will have torque. External Clutching teeth on the Sliding Clutch will engage internal Clutching teeth on the selected Mainshaft Gear. Torque will now be provided from both opposing Countershaft Gears, into the engaged Mainshaft Gear, and through the Sliding Clutch to the Front Section Mainshaft.
5. The rear of the Front Section Mainshaft is splined into the Auxiliary Splitter Clutch and torque is now delivered to the Auxiliary Splitter Clutch.



### Front Section Power Flow

1. Sliding Clutch forward
2. Sliding Clutch forward
3. Sliding Clutch rearward

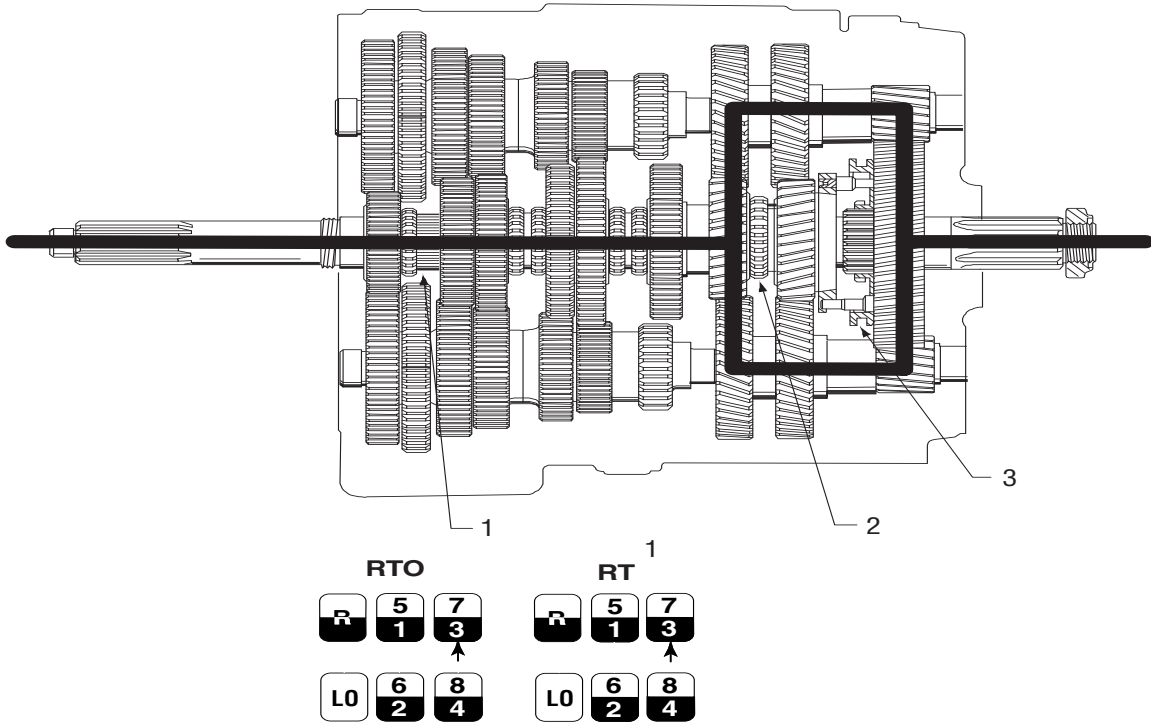


# Power Flow

## Front Section Power Flow - Direct Gear

In direct gear, the Front Sliding Clutch is moved forward and engages into the back of the Main Drive Gear. Torque will flow from the Input Shaft to the Main Drive Gear, Main Drive Gear to Sliding Clutch, Sliding Clutch straight into the Front Section Mainshaft which delivers the torque to the Auxiliary Splitter Clutch. See figure below.

**Note:** All Countershaft and Mainshaft Gears will rotate, but the gears will not be loaded.



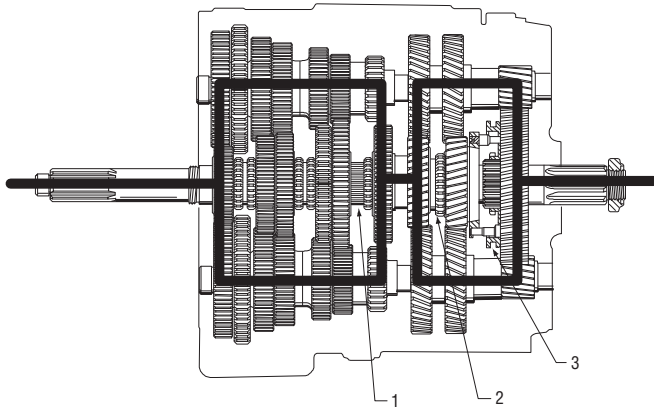
### Front Section Power Flow - Direct Gear

1. Sliding Clutch forward
2. Sliding Clutch forward
3. Sliding Clutch rearward

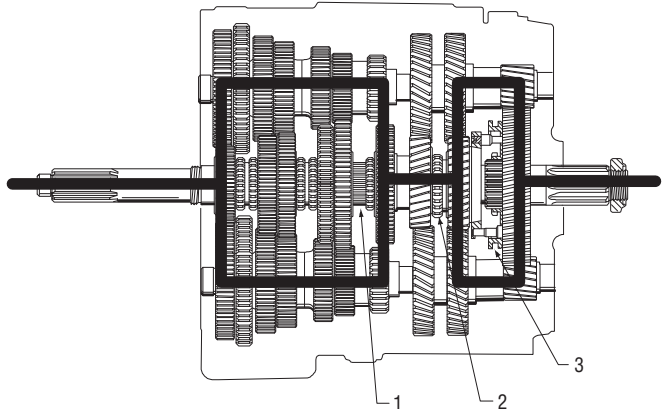
### Front Section Power Flow - Reverse Gear

Torque will flow from the Countershafts to the Reverse Idler Gears. Torque will then flow from the Reverse Idler Gears to the Mainshaft Reverse Gear. Torque will now travel through the Mainshaft Reverse Gear, the Sliding Clutch in the Reverse position and then to the Mainshaft and Auxiliary Splitter Clutch. See figures below.

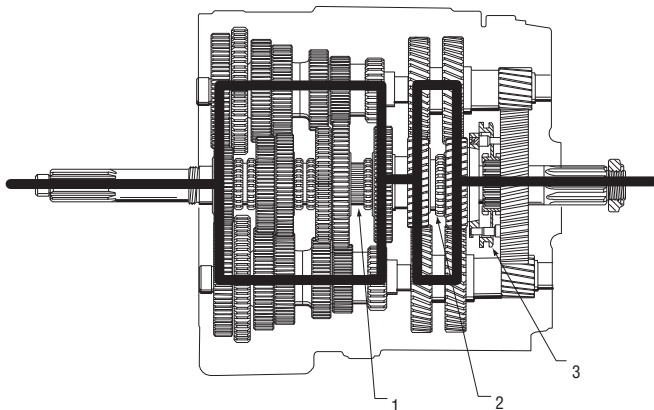
**Note:** The Idler Gears cause the reversal of rotation.



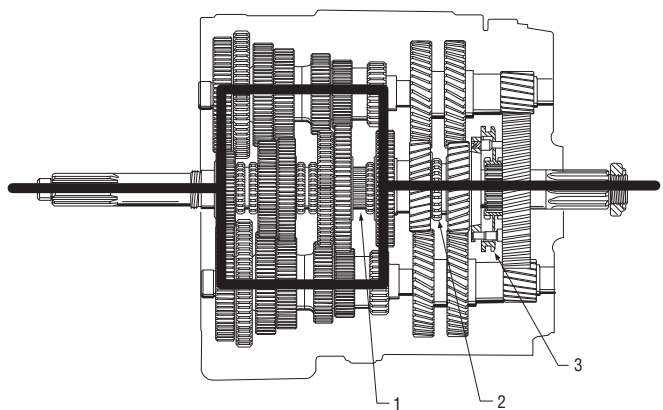
**Reverse LO - 9/13 speed; Reverse LO - Low Split - 18 speed**  
 1. Sliding Clutch rearward  
 2. Sliding Clutch forward  
 3. Sliding Clutch rearward



**Reverse LO - High Split - 18 Speed**  
 1. Sliding Clutch rearward  
 2. Sliding Clutch rearward  
 3. Sliding Clutch rearward



**Reverse HI - 9/13 speed; Reverse HI - Low Split - 18 Speed**  
 1. Sliding Clutch rearward  
 2. Sliding Clutch forward  
 3. Sliding Clutch forward



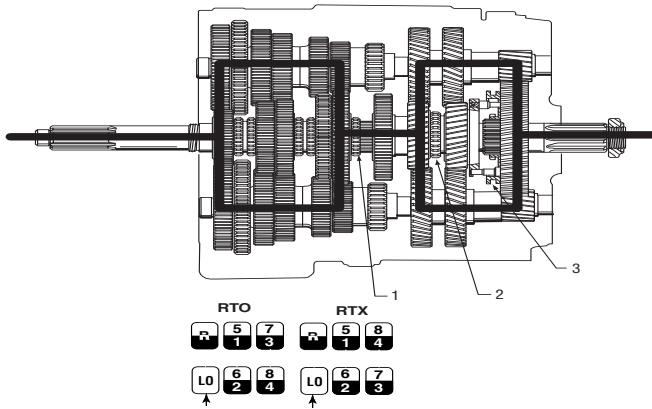
**Reverse HI - High Split - 18 Speed**  
 1. Sliding Clutch rearward  
 2. Sliding Clutch rearward  
 3. Sliding Clutch forward

# Power Flow

## Auxiliary Section Power Flow - Low Range

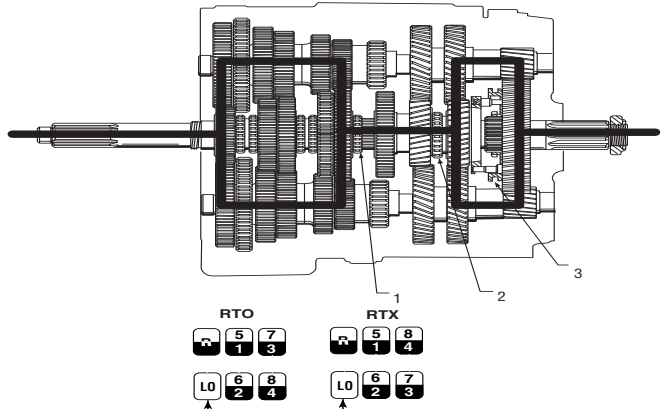
Depending on the position of the Splitter Button (L or H) the Auxiliary Splitter Clutch engages in either the Auxiliary Drive Gear or the Splitter Gear. The selected Auxiliary Gear transfers torque to both Auxiliary Countershafts.

If the Auxiliary Section is in low range, the Range Sliding Clutch is rearward and engaged into the Auxiliary Mainshaft Reduction Gear. Torque flows from the Auxiliary Countershafts, into the Auxiliary Mainshaft Reduction Gear, through the Range Sliding Clutch and then into the Output Shaft (Auxiliary Mainshaft).



**LO - 9/13 Speed; LO - Low Split - 18 Speed**

1. Sliding Clutch forward
2. Sliding Clutch forward
3. Sliding Clutch rearward



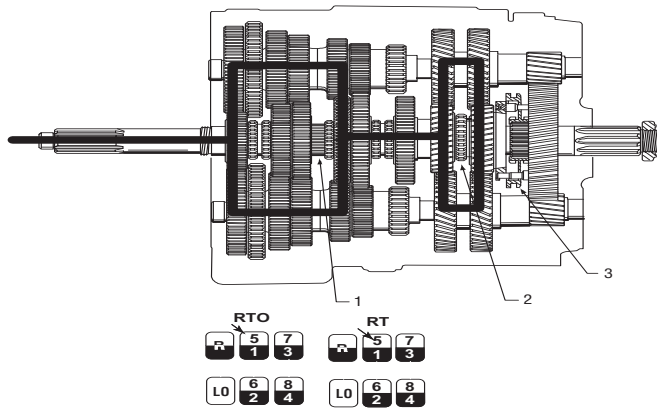
**LO - High Split - 18 Speed**

1. Sliding Clutch forward
2. Sliding Clutch rearward
3. Sliding Clutch rearward

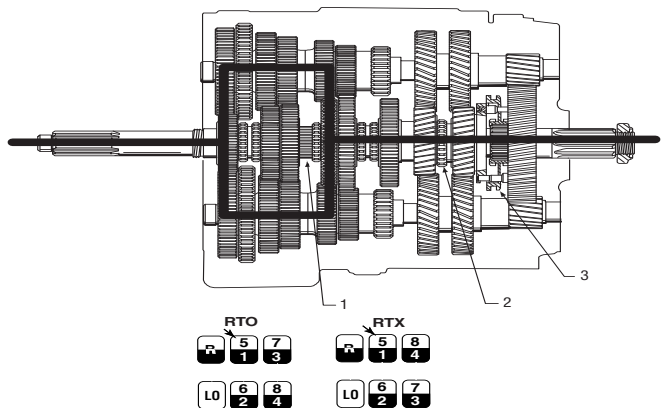
### Auxiliary Section Power Flow- High Range

If the Auxiliary Section is in high range, the Range Sliding Clutch is forward and engaged into the back of the Auxiliary Drive Gear. Torque flows through the Auxiliary Section in high range depending on the splitter state selected (L or H). If splitter (L) is selected, torque flows from the Auxiliary Splitter Clutch to the Auxiliary Drive Gear. From the Auxiliary Drive Gear, torque flows to both Countershafts and then to the Splitter Gear. Torque then flows into the Range Sliding Clutch and Output Shaft. (See Figure 1st-13 Speed; 1st-Low Split-18 Speed).

If splitter (H) is selected, torque flows directly through the Auxiliary Section. Torque flows from the Auxiliary Splitter Clutch to the Auxiliary Reduction Gear to the Range Sliding Clutch to the Output Shaft. The Auxiliary gearing still turns, but the gear teeth will not be loaded. (See Figure 1st-High Split-18 Speed).



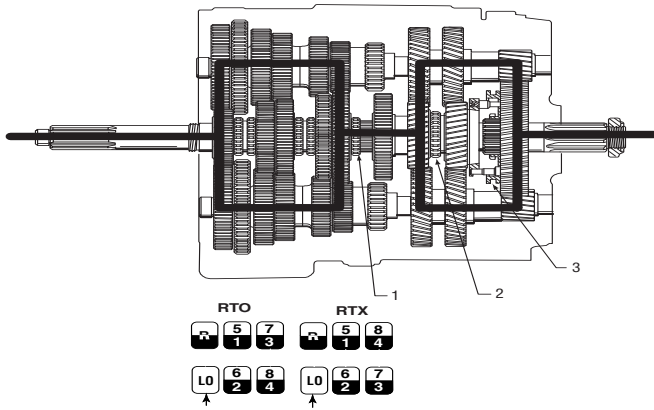
**5th - 9/13-18 speed Low Split**  
 1. Sliding Clutch rearward  
 2. Sliding Clutch forward  
 3. Sliding Clutch forward



**5th - 9/13-18 speed High Split**  
 1. Sliding Clutch rearward  
 2. Sliding Clutch rearward  
 3. Sliding Clutch forward

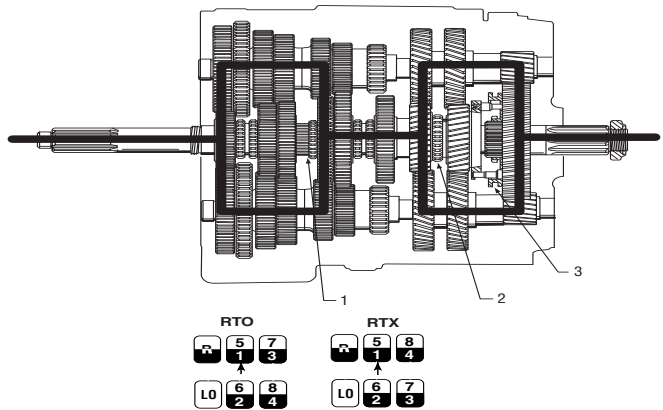
# Power Flow

## 9-Speed



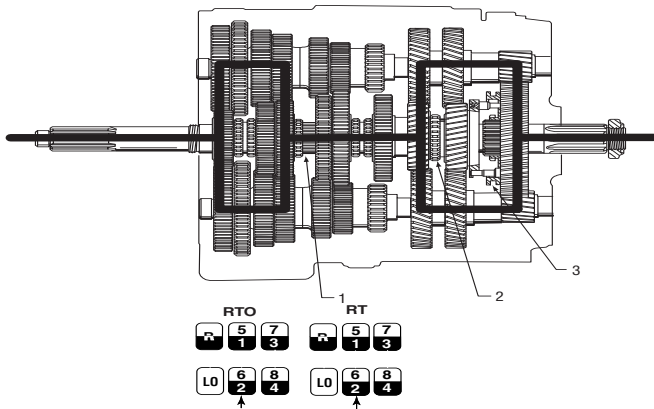
### LO Gear

1. Sliding Clutch forward
2. Sliding Clutch forward
3. Sliding Clutch rearward



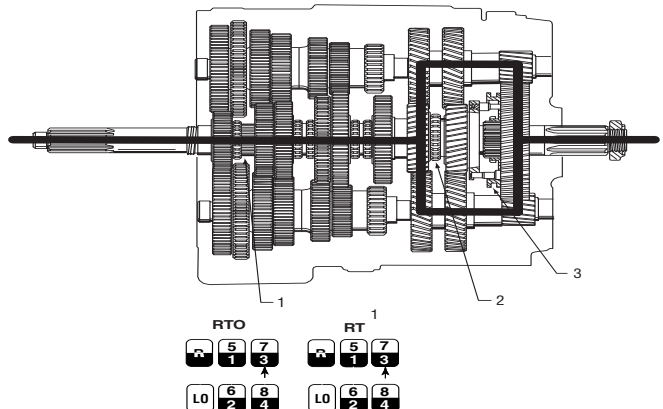
### 1st Gear

1. Sliding Clutch rearward
2. Sliding Clutch forward
3. Sliding Clutch rearward



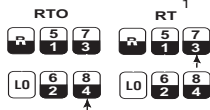
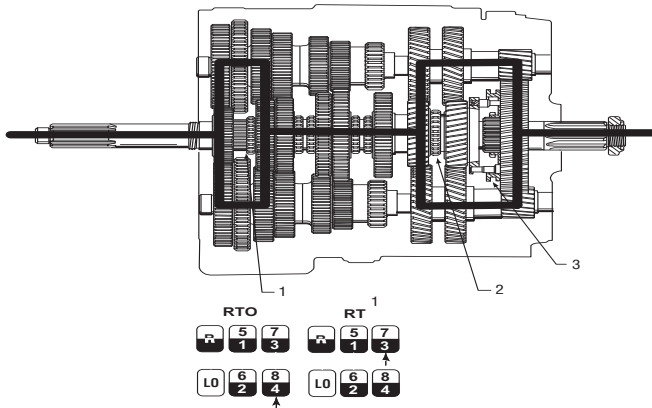
### 2nd Gear

1. Sliding Clutch forward
2. Sliding Clutch forward
3. Sliding Clutch rearward



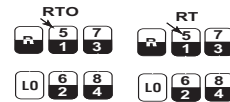
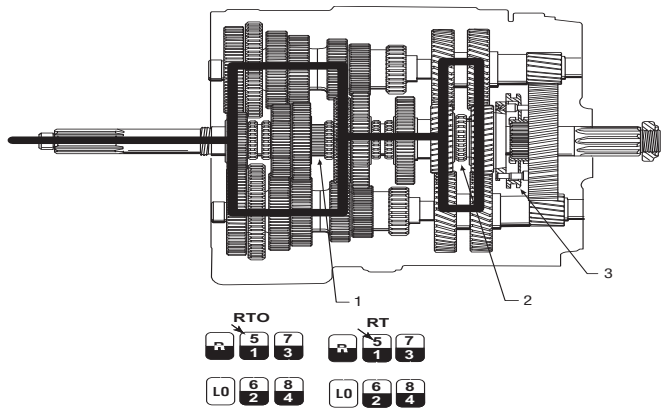
### 3rd Gear

1. Sliding Clutch forward
2. Sliding Clutch forward
3. Sliding Clutch rearward



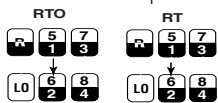
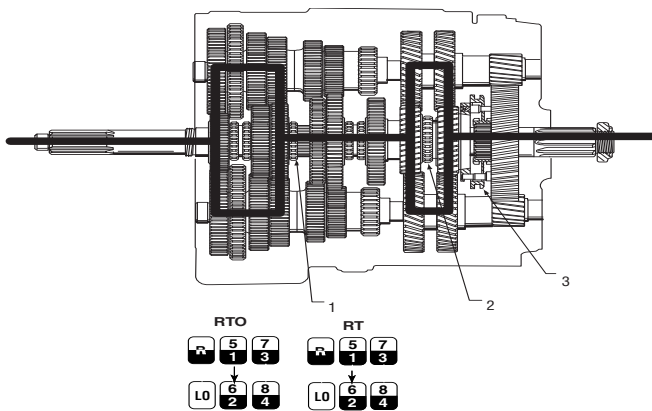
### 4th Gear

1. Sliding Clutch rearward
2. Sliding Clutch forward
3. Sliding Clutch rearward



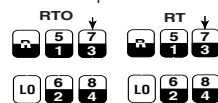
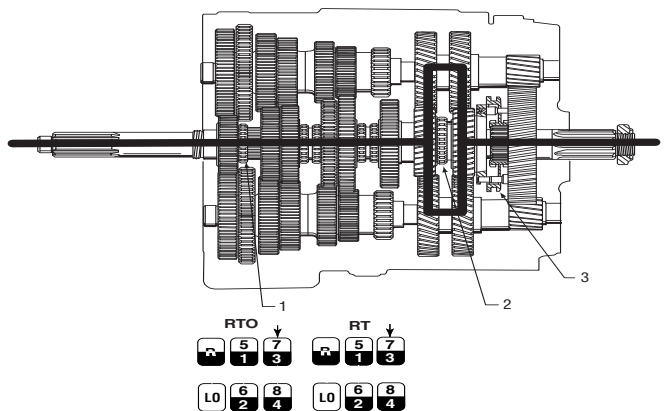
### 5th - Gear

1. Sliding Clutch rearward
2. Sliding Clutch forward
3. Sliding Clutch forward



### 6th - Gear

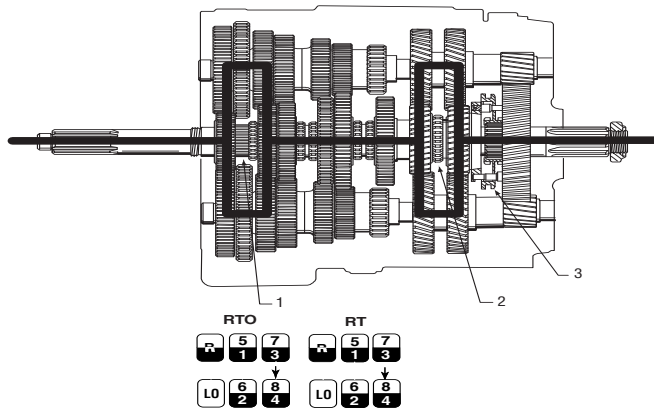
1. Sliding Clutch forward
2. Sliding Clutch forward
3. Sliding Clutch forward



### 7th - Gear

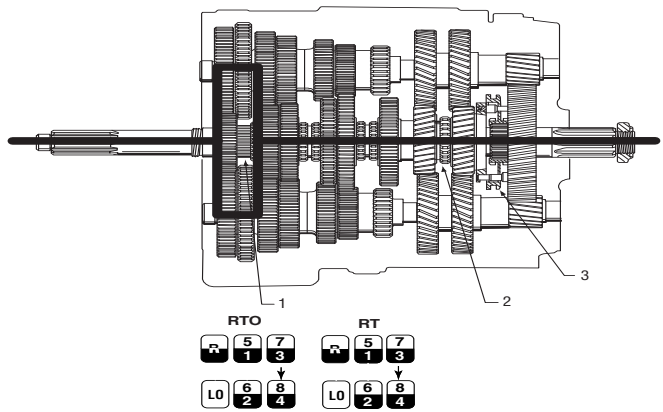
1. Sliding Clutch forward
2. Sliding Clutch forward
3. Sliding Clutch forward

# Power Flow



## **8th - Low Split Gear (Top-2 Models)**

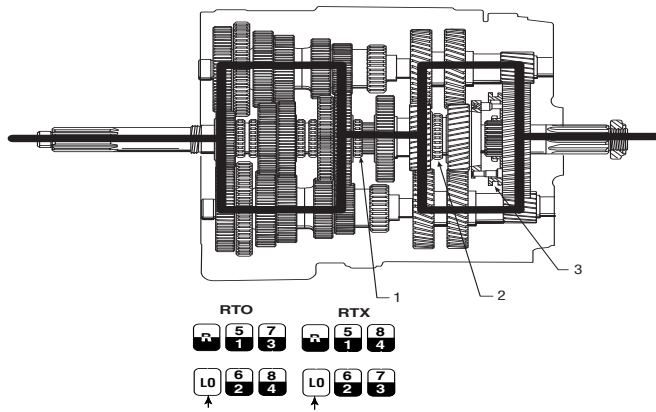
1. Sliding Clutch rearward
2. Sliding Clutch forward
3. Sliding Clutch forward



## **8th - High Split Gear (Top-2 Models)**

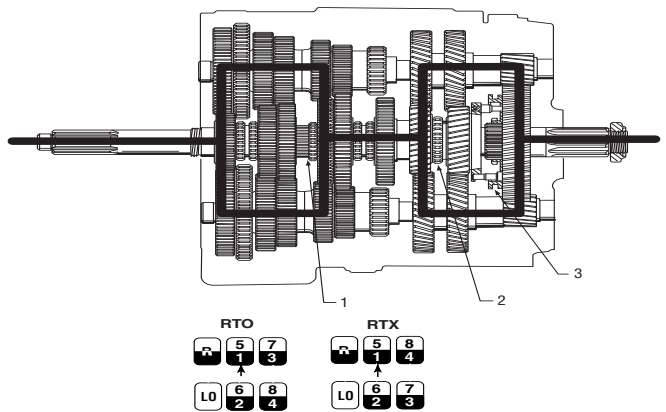
1. Sliding Clutch rearward
2. Sliding Clutch rearward
3. Sliding Clutch forward

### 13 Speed - Power Flow by Gear



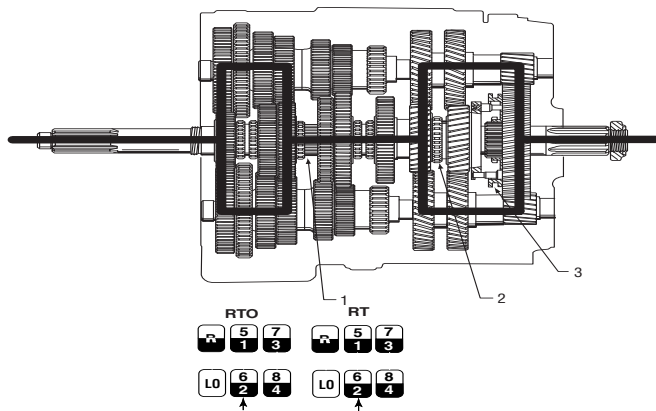
**LO Gear**

- 1. Sliding Clutch forward
- 2. Sliding Clutch forward
- 3. Sliding Clutch rearward



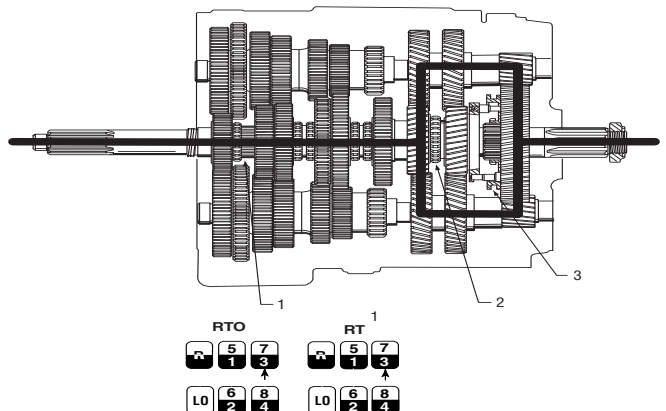
**1st Gear**

- 1. Sliding Clutch rearward
- 2. Sliding Clutch forward
- 3. Sliding Clutch rearward



**2nd Gear**

- 1. Sliding Clutch forward
- 2. Sliding Clutch forward
- 3. Sliding Clutch rearward

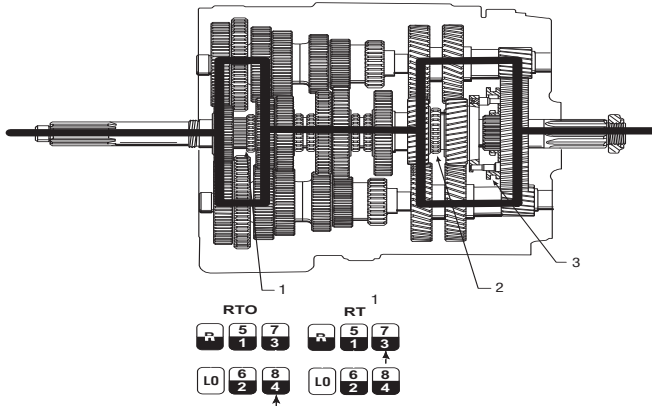


**3rd Gear**

- 1. Sliding Clutch forward
- 2. Sliding Clutch forward
- 3. Sliding Clutch rearward

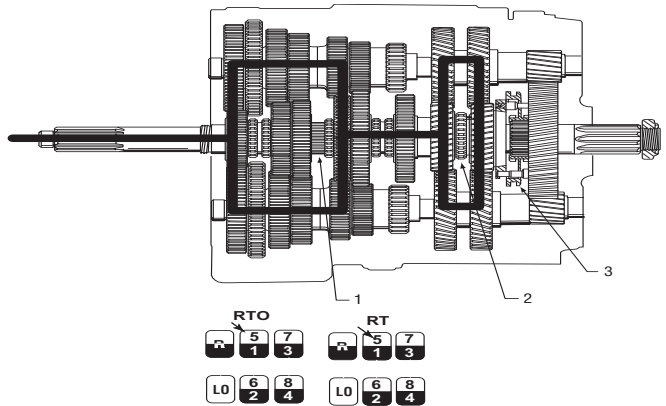


# Power Flow



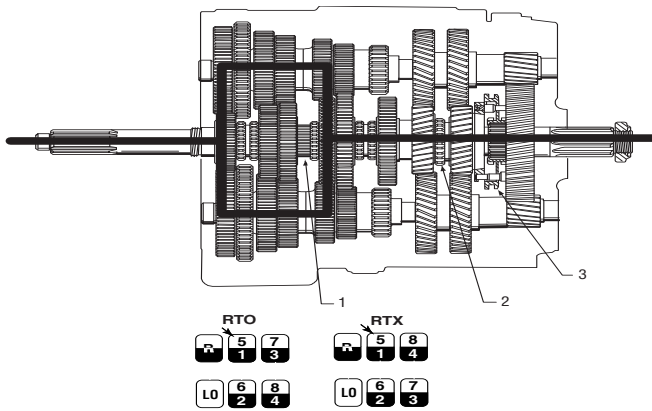
### 4th Gear

1. Sliding Clutch rearward
2. Sliding Clutch forward
3. Sliding Clutch rearward



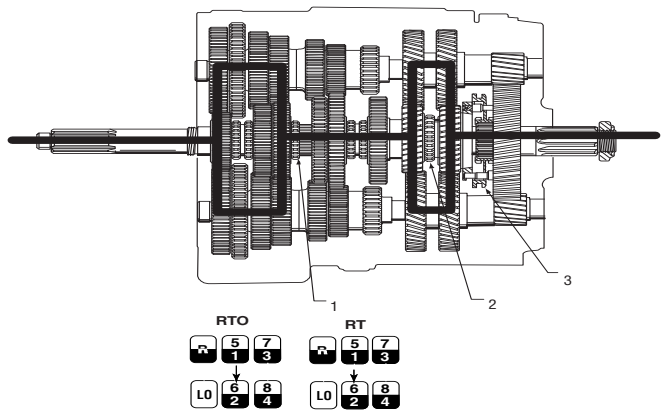
### 5th - Low Split Gear

1. Sliding Clutch rearward
2. Sliding Clutch forward
3. Sliding Clutch forward



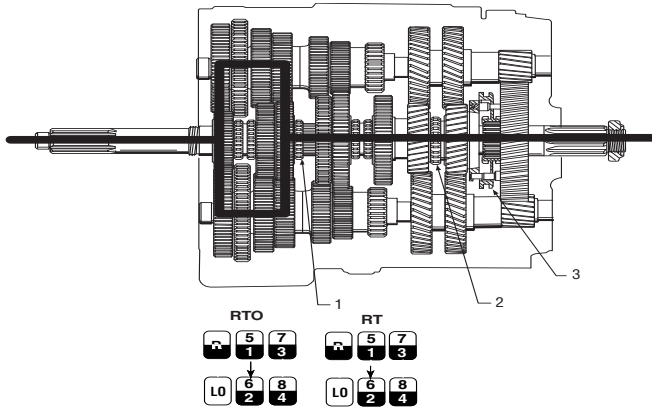
### 5th - High Split Gear

1. Sliding Clutch rearward
2. Sliding Clutch rearward
3. Sliding Clutch forward



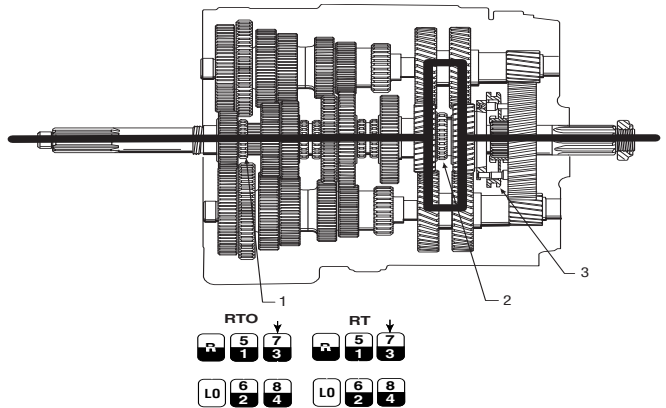
### 6th - Low Split Gear

1. Sliding Clutch forward
2. Sliding Clutch forward
3. Sliding Clutch forward



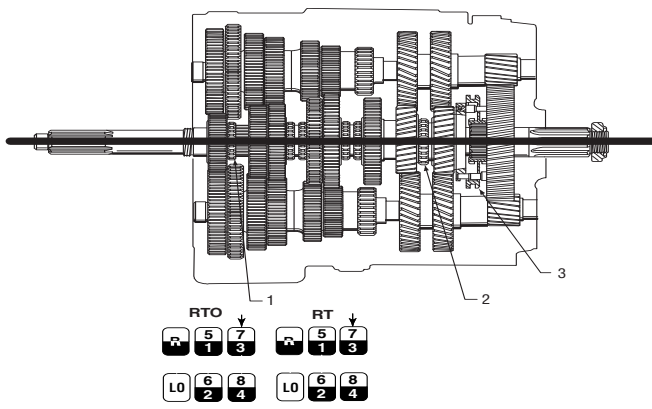
**6th - High Split Gear**

1. Sliding Clutch forward
2. Sliding Clutch rearward
3. Sliding Clutch forward



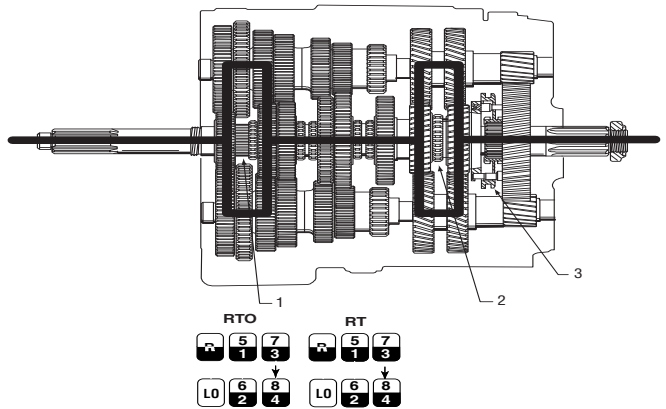
**7th - Low Split Gear**

1. Sliding Clutch forward
2. Sliding Clutch forward
3. Sliding Clutch forward



**7th - High Split Gear**

1. Sliding Clutch forward
2. Sliding Clutch rearward
3. Sliding Clutch forward

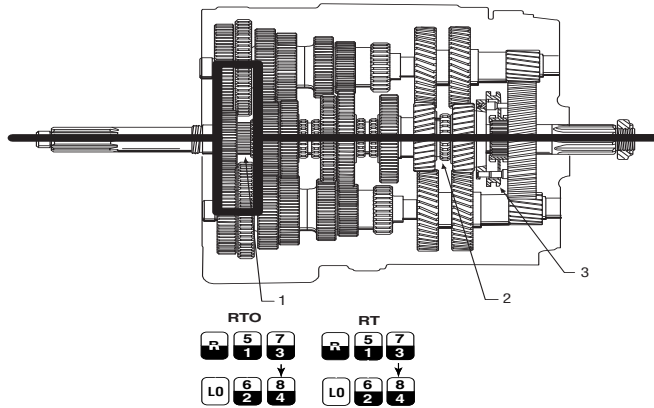


**8th - Low Split Gear**

1. Sliding Clutch rearward
2. Sliding Clutch forward
3. Sliding Clutch forward

# Power Flow

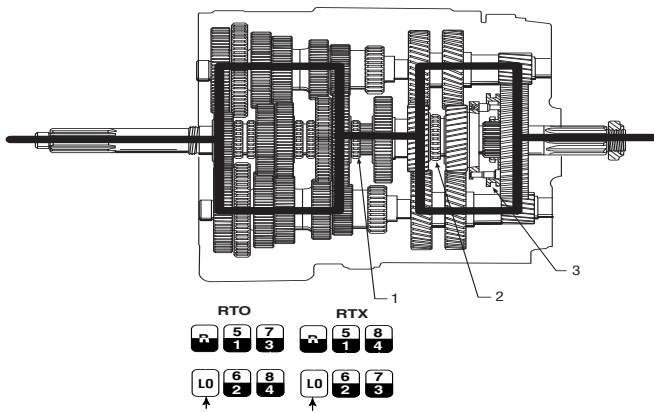
---



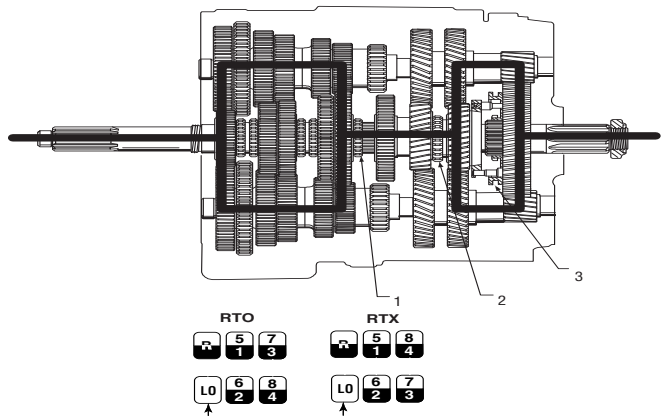
## **8th - High Split Gear**

1. Sliding Clutch rearward
2. Sliding Clutch rearward
3. Sliding Clutch forward

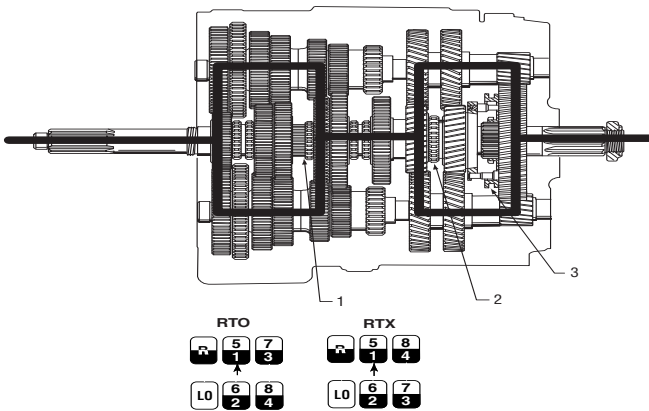
18 Speed - Power Flow by Gear



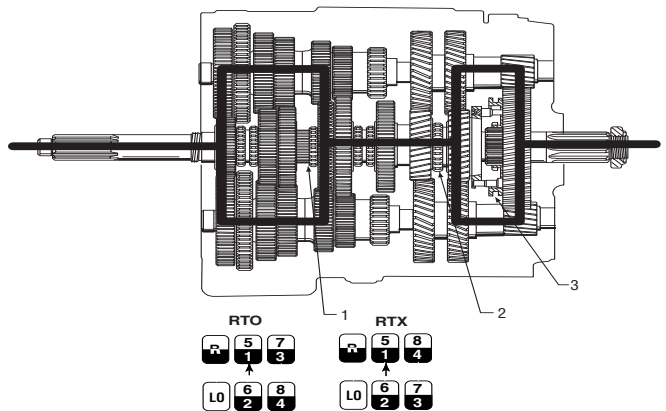
- LO - Low Split Gear**  
 1. Sliding Clutch forward  
 2. Sliding Clutch forward  
 3. Sliding Clutch rearward



- LO - High Split Gear**  
 1. Sliding Clutch forward  
 2. Sliding Clutch rearward  
 3. Sliding Clutch rearward

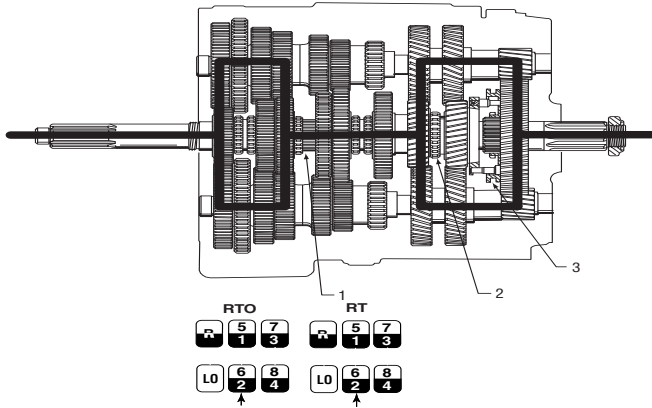


- 1st - Low Split Gear**  
 1. Sliding Clutch rearward  
 2. Sliding Clutch forward  
 3. Sliding Clutch rearward

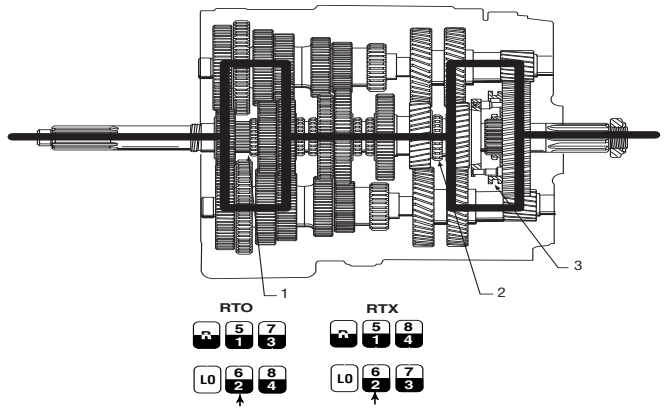


- 1st - High Split Gear**  
 1. Sliding Clutch rearward  
 2. Sliding Clutch rearward  
 3. Sliding Clutch rearward

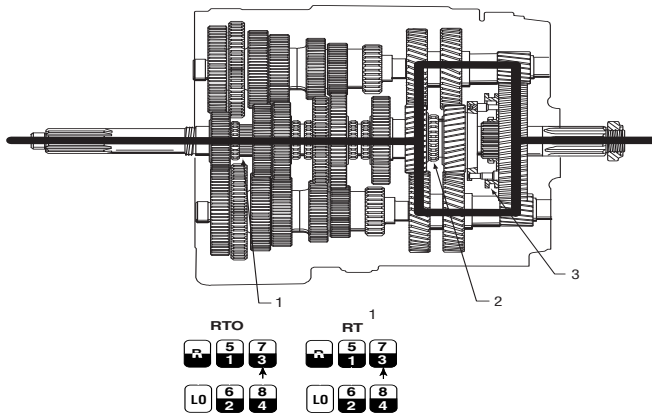
# Power Flow



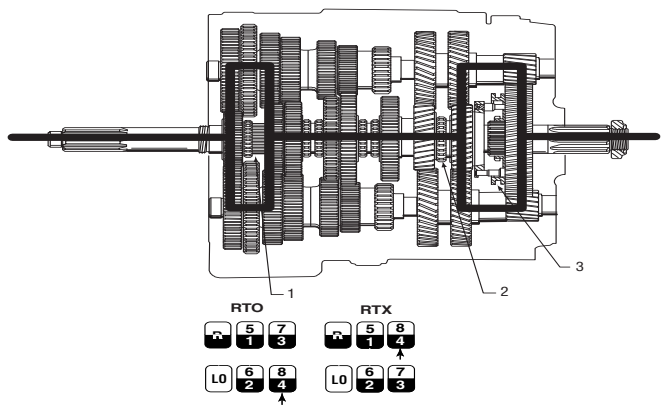
- 2nd - Low Split Gear**
1. Sliding Clutch forward
  2. Sliding Clutch forward
  3. Sliding Clutch rearward



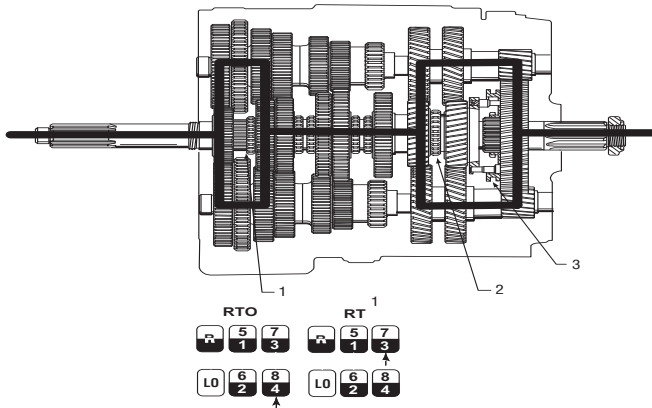
- 2nd - High Split Gear**
1. Sliding Clutch forward
  2. Sliding Clutch rearward
  3. Sliding Clutch rearward



- 3rd - Low Split Gear**
1. Sliding Clutch forward
  2. Sliding Clutch forward
  3. Sliding Clutch rearward

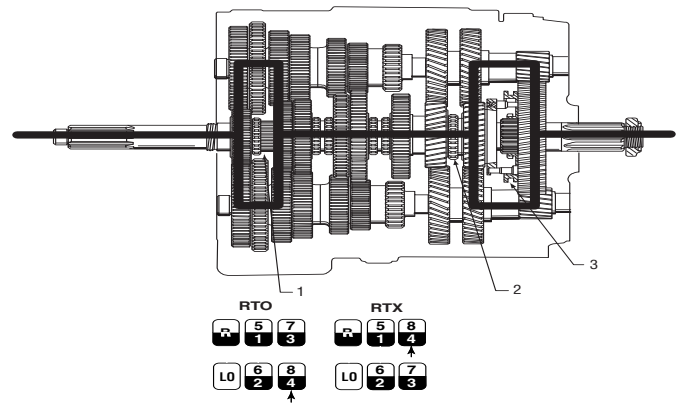


- 3rd - High Split Gear**
1. Sliding Clutch forward
  2. Sliding Clutch rearward
  3. Sliding Clutch rearward



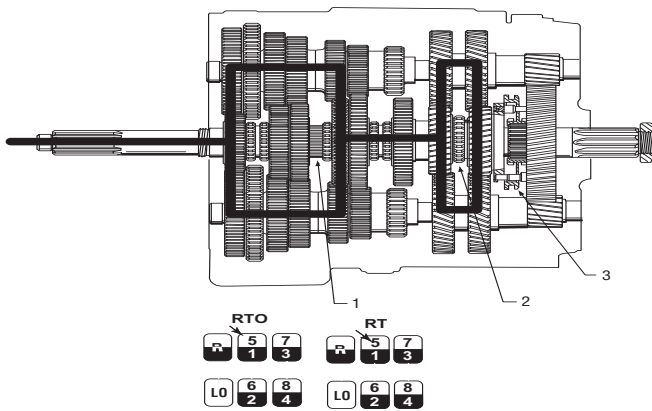
**4th - Low Split Gear**

1. Sliding Clutch rearward
2. Sliding Clutch forward
3. Sliding Clutch rearward



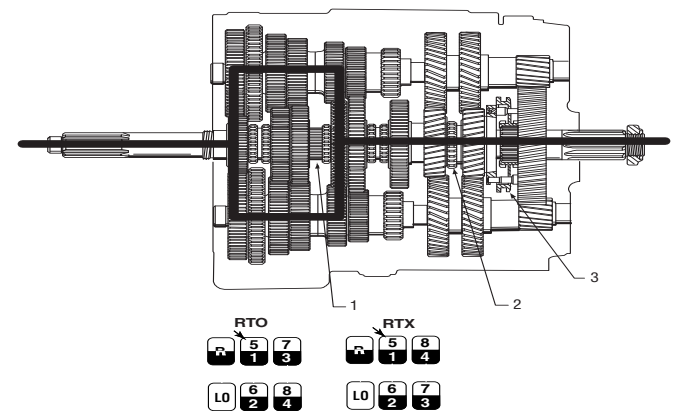
**4th - High Split Gear**

1. Sliding Clutch rearward
2. Sliding Clutch rearward
3. Sliding Clutch rearward



**5th - Low Split Gear**

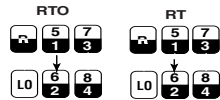
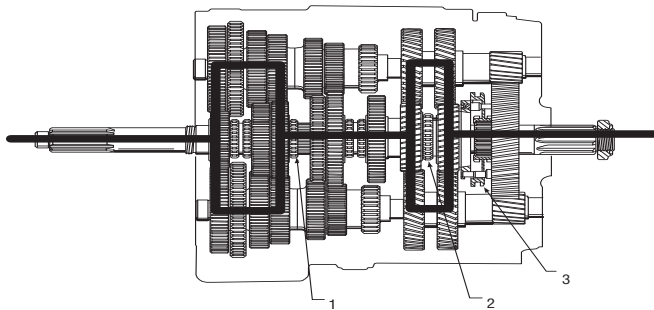
1. Sliding Clutch rearward
2. Sliding Clutch forward
3. Sliding Clutch forward



**5th - High Split Gear**

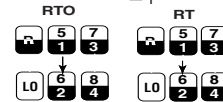
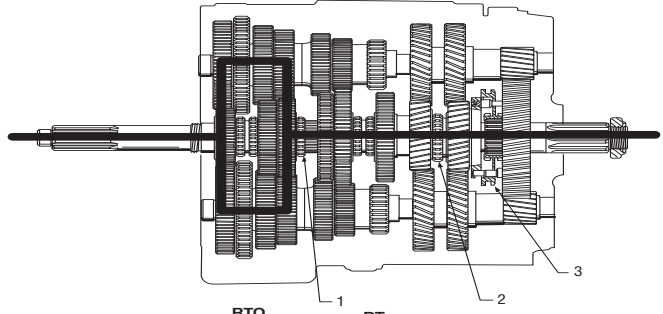
1. Sliding Clutch rearward
2. Sliding Clutch rearward
3. Sliding Clutch forward

# Power Flow



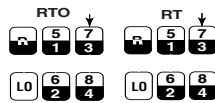
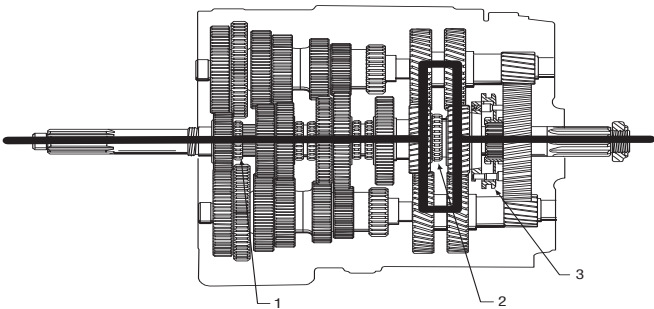
## 6th - Low Split Gear

1. Sliding Clutch forward
2. Sliding Clutch forward
3. Sliding Clutch forward



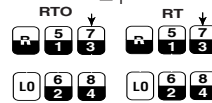
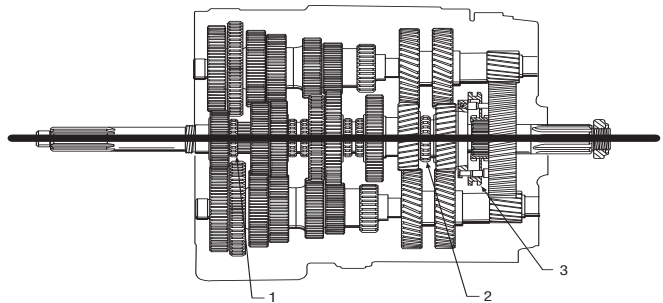
## 6th - High Split Gear

1. Sliding Clutch forward
2. Sliding Clutch rearward
3. Sliding Clutch forward



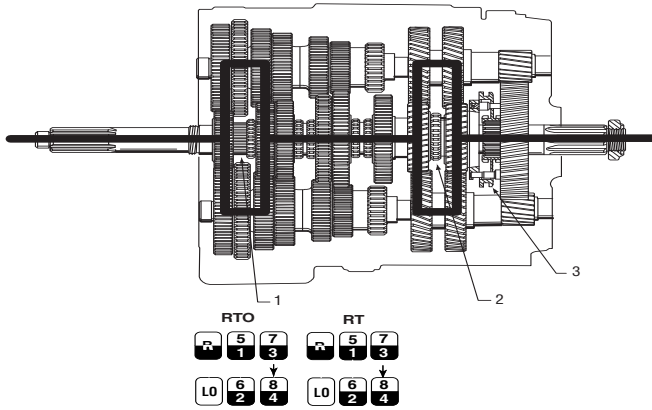
## 7th - Low Split Gear

1. Sliding Clutch forward
2. Sliding Clutch forward
3. Sliding Clutch forward



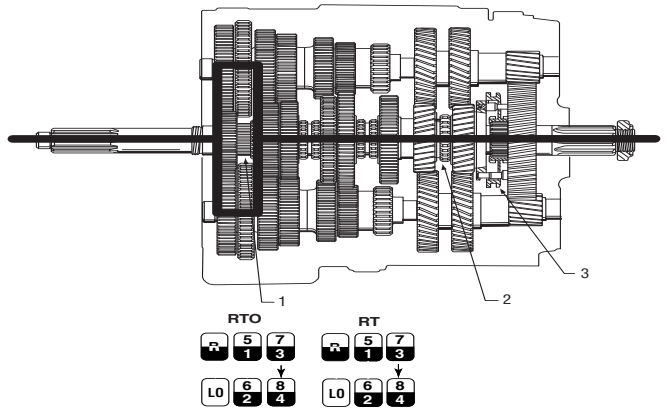
## 7th - High Split Gear

1. Sliding Clutch forward
2. Sliding Clutch rearward
3. Sliding Clutch forward



### 8th - Low Split Gear

1. Sliding Clutch rearward
2. Sliding Clutch forward
3. Sliding Clutch forward



### 8th - High Split Gear

1. Sliding Clutch rearward
2. Sliding Clutch rearward
3. Sliding Clutch forward

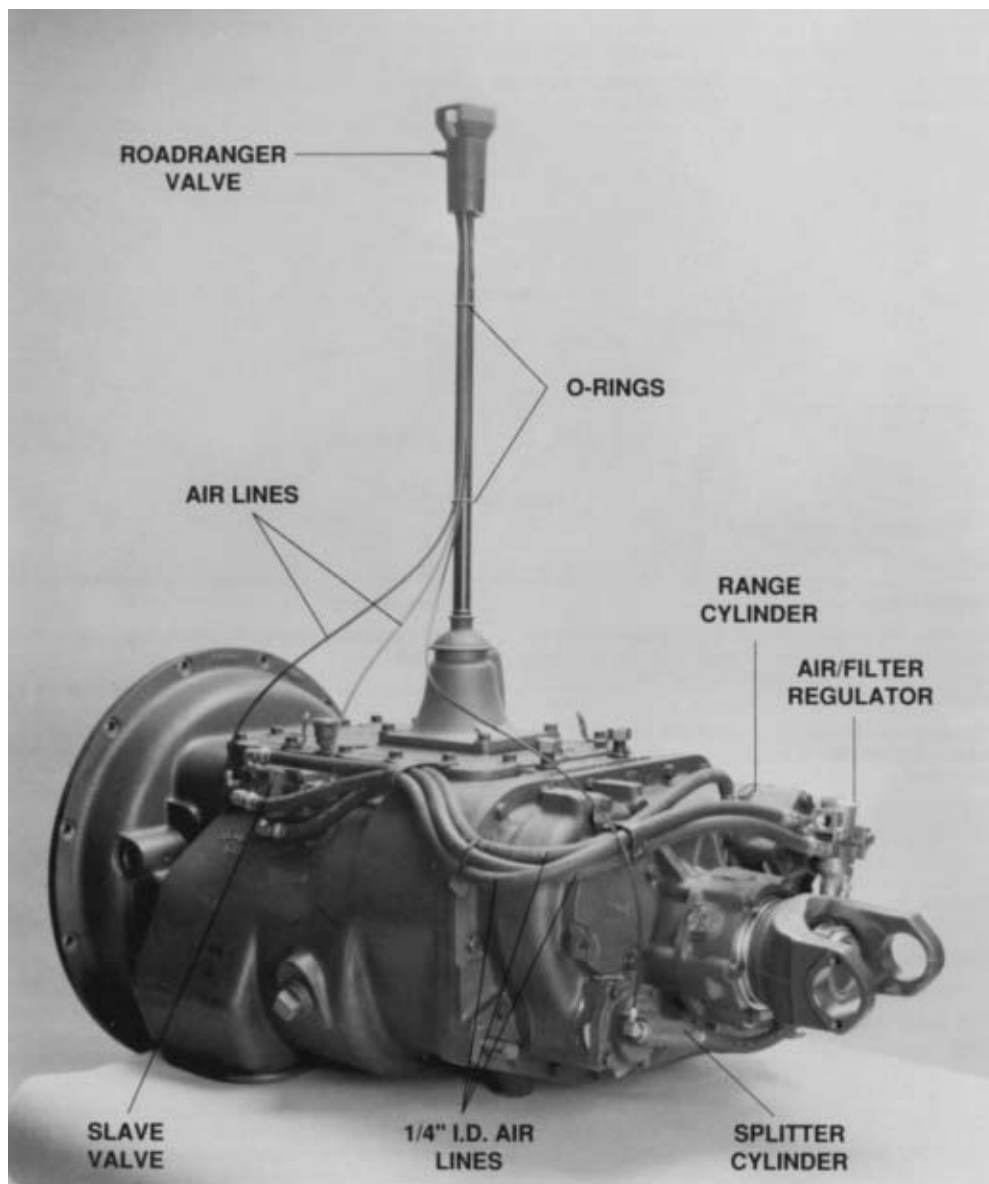


# Air System

---

## Air System Overview

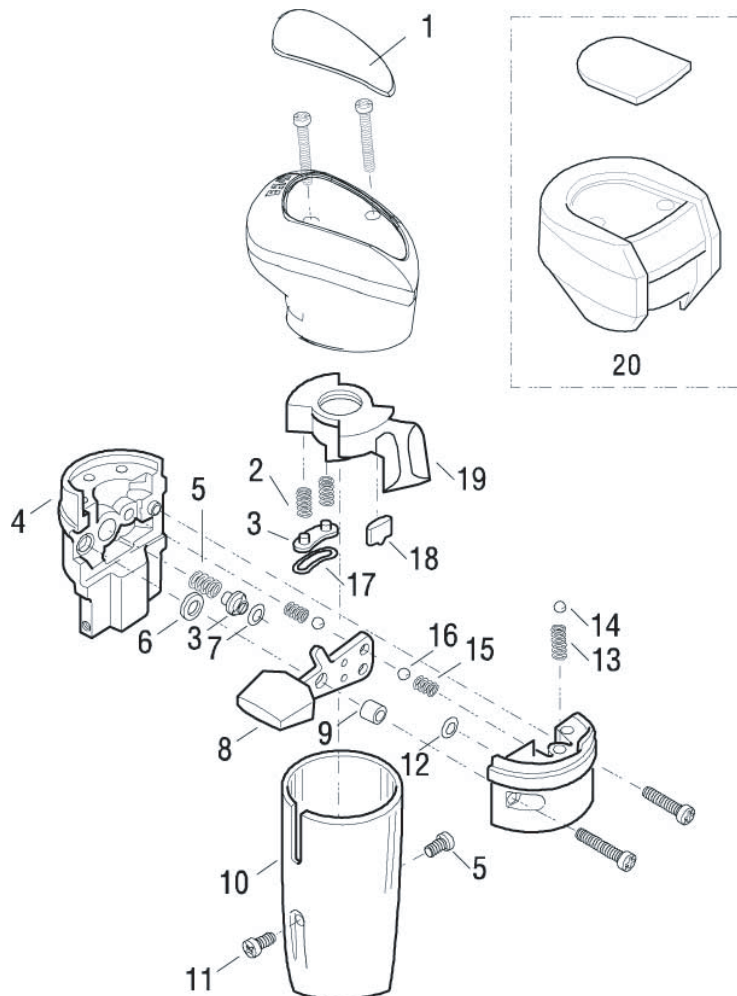
Pressurized air from the vehicle's Air System is used to shift the Transmission Low/High Range and Low/High Split. The Low/High Range and Low/High Split gearing and Shift Mechanisms are located in the Auxiliary Section of the Transmission. The vehicle operator controls these shifts with two separate Switches on the Shift Knob (Master Control Valve). The following components are part of the Air Shift Systems:



## Shift Knob 13/18-Speed

The Shift Knob contains two Switches.

1. The Range Selector Lever on the front of the Shift Knob is moved down to select Low Range. When the Range Selector Lever is moved up, High Range is selected.
2. The Splitter Button or the button on the side of the Shift Knob is moved rearward to select LO Split and forward for HI Split of each lever position. When in LO Range a Mechanical Interlock prevents moving the Splitter Button to HI.



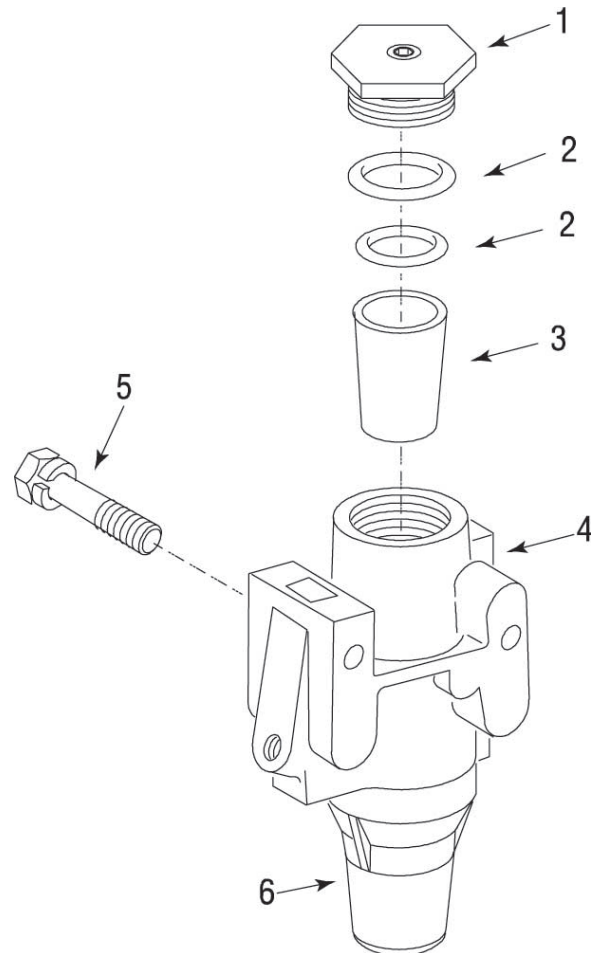
### Component Nomenclature and Shift Knob Sectional View

- |                   |                          |
|-------------------|--------------------------|
| 1. Medallion      | 11. Screw                |
| 2. Spring         | 12. O-Ring               |
| 3. Retainer       | 13. Spring               |
| 4. Housing        | 14. 5/32" Ball           |
| 5. Spring         | 15. Spring               |
| 6. Washer         | 16. Ball                 |
| 7. O-Ring         | 17. Seal                 |
| 8. Range Selector | 18. Detent               |
| 9. Pin            | 19. Splitter Button      |
| 10. Cover         | 20. Old Style Shift Knob |



## Air Filter/Regulator

The Filter/Regulator Assembly filters the vehicle supply air and regulates the pressure to 58–63 PSI. Two holes in the front face of the Filter/Regulator Assembly supply air to the Range Cylinder Cover. The Filter Element can be removed by turning out the End Cap.



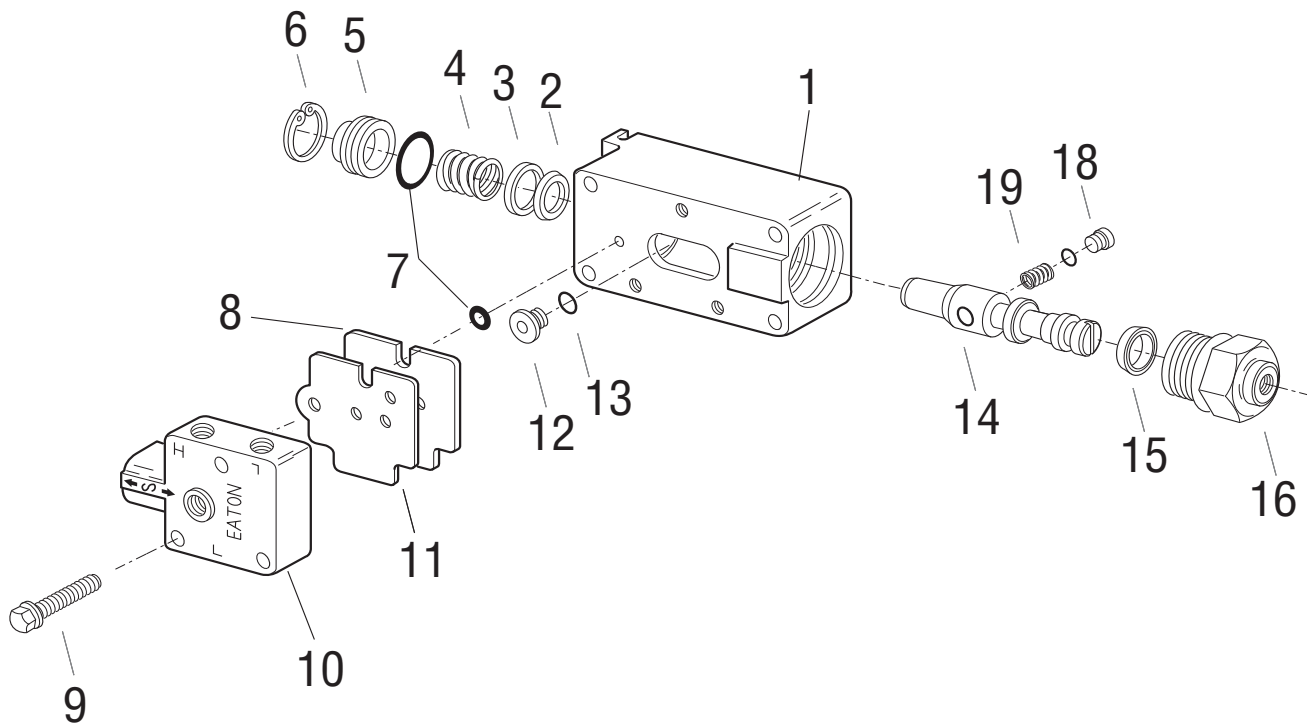
### **Component Nomenclature and Filter Regulator Sectional View**

- |                   |                  |
|-------------------|------------------|
| 1. End Cap        | 4. Housing       |
| 2. O-Rings        | 5. Cap Screws    |
| 3. Filter Element | 6. Air Regulator |

# Air System

## Slave Valve

The Slave Valve controls the supply of air to the Low and High Range sides of the Range Shift Cylinder. A small Air Line from the Shift Knob (Master Control Valve) provides a signal pressure to the Slave Valve.

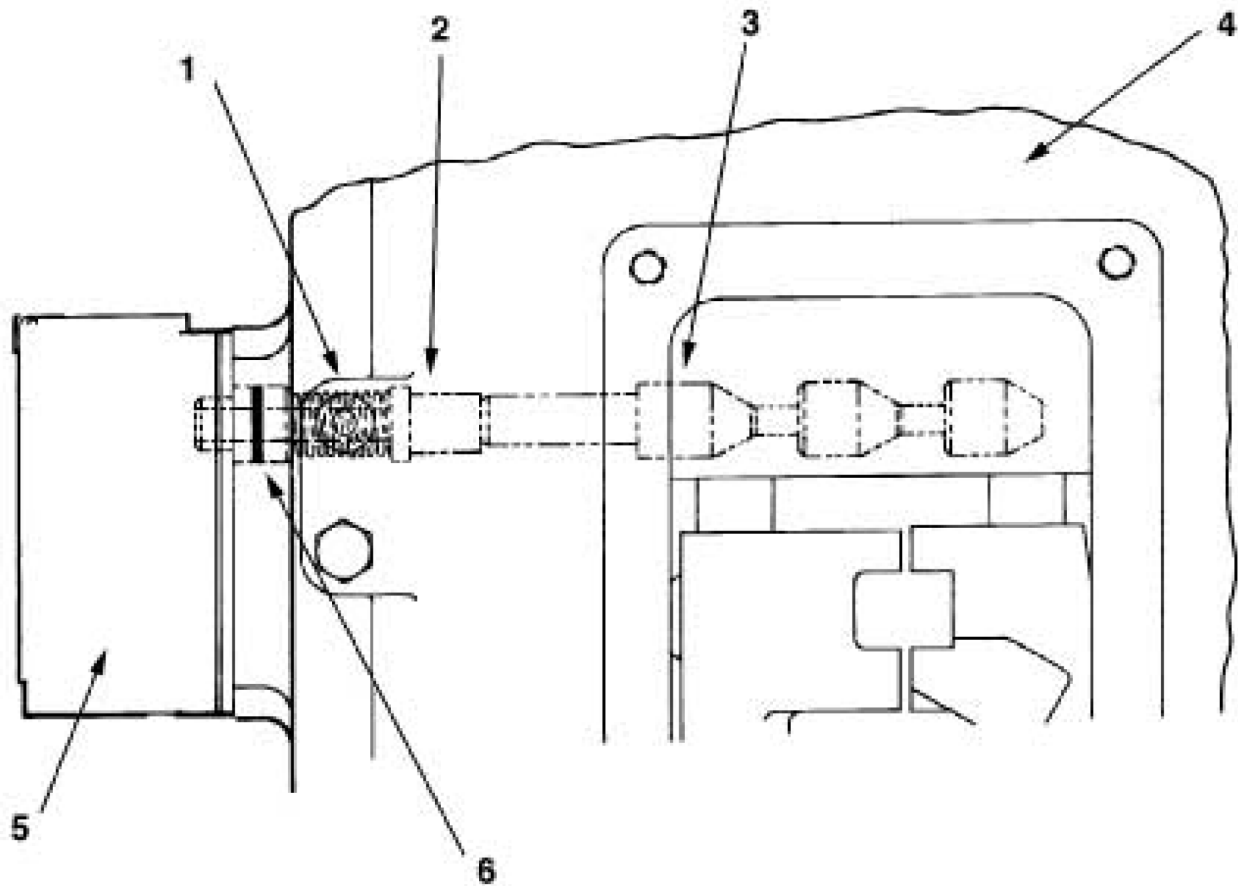


### **Component Nomenclature and Slave Valve Countershaft Sectional View**

- |                        |              |
|------------------------|--------------|
| 1. Slave Valve Housing | 11. Gasket   |
| 2. "U" Seal            | 12. Seal     |
| 3. Washer              | 13. O-Ring   |
| 4. Spring              | 14. Piston   |
| 5. Plug                | 15. "U" Seal |
| 6. Snap Ring           | 16. Cap      |
| 7. O-Rings             | 17. O-Ring   |
| 8. Plate               | 18. Seal     |
| 9. Cap Screw           | 19. Spring   |
| 10. Cap                |              |

## Slave Valve Pre-Selection System

This Interlock Mechanism prevents the Slave Valve from shifting when the Transmission is engaged into gear. The Air Valve Shaft is moved towards the Slave Valve by the Shift Rails when the Transmission is shifted into gear. A spring pushes the Air Valve Shaft back when the Front Section is shifted into a Neutral position.



### ***Component Nomenclature and Slave Valve Countershaft Sectional View***

- |                     |                      |
|---------------------|----------------------|
| 1. Actuation Spring | 4. Shift Bar Housing |
| 2. Actuating Pin    | 5. Slave Valve       |
| 3. Air Valve Shaft  | 6. Alignment Sleeve  |

# Air System

## General Troubleshooting Chart

The chart on the following pages contains some of the most common problems that may occur with this Transmission along with the most common causes and solutions.

### General Troubleshooting Chart

Complaint	Cause	Corrective Action
Noise - Growl/Rumble	Torsional Vibration. [Noise may be most pronounced when Transmission is in a "float" (low torque) condition. May also be confined to a particular vehicle speed.]	Check driveline angles for proper U-joint working angles. Check driveline for out of balance or damage. Check U-joints for proper phasing. Check Clutch Assembly for broken Damper Springs. Check for inadequate Clutch Disc damping.
	Transmission Bearing or Gear failure. [Noise may be most pronounced under hard pull or coast (high torque).]	Check Transmission Oil for excessive metal particles.
Noise - Growl/Rumble at Idle (Idle Gear Rattle)	Excess engine torsional vibration at idle.	Check for low Engine RPM. Check for uneven Engine Cylinder performance. Check for proper Clutch Damper operation.
Noise - High Pitched Whine	Gear Noise. Isolate as to axle or Transmission noise. If Transmission, isolate to specific gear or gears.	Check for worn or defective Shift Lever Isolator. Check for direct Cab or Bracket contact with Transmission ("grounding"). Check for proper Driveline U-joint working angles. Check for damaged or worn gearing.
Hard Lever Shifting (Shift lever is hard to gear into or out of gear)	Master Clutch dragging.	Check Master Clutch for proper disengagement. Check Master Clutch for proper adjustment (both Release Bearing travel and Clutch Brake height).
	Shift linkage problem. (Remote Shifter)	Check Shift Linkage or cables for proper adjustment, binding, lubrication, or wear.
	Shift Bar Housing problem.	Check Shift Bar Housing components for binding, wear, or damage.
	Transmission Mainshaft problem.	Check Mainshaft for twist. Check Sliding Clutches for binding, damage, or excessive wear.
	Driver technique.	Driver not familiar or skilled with proper double-Clutching technique. Driver contacting the Clutch Brake during shifts.
Shift Lever Jumpout (Shift Lever comes out of gear on rough roads)	Loose or worn Engine Mounts.	Check Engine Mounts for damage, wear, or excessive looseness.
	Shift Lever problem.	Check Shift Lever Floor Boot for binding or stretching. Check Shift Lever Isolator for excessive looseness or wear. Check for excessive offset or overhang on the Shift Lever. Check for extra equipment or extra weight added to Shift Lever or Knob.
	Worn or broke Detent Spring or Mechanism.	Check for broken Detent Spring. Check for excessive wear on the Detent Key of Detent Plunger. Replace Detent Spring with heavier spring or add additional spring.

General Troubleshooting Chart (Continued)

Complaint	Cause	Corrective Action
Shift Lever Slip-out (Transmission comes out of gear under torque)	Internal Transmission problem.	Check for excessively worn or damaged Sliding Clutches or Shift Yokes.
Transmission goes to Neutral (Shift lever doesn't move)	Low air pressure.	Check Air Regulator pressure.
	Internal Transmission problem.	Check for excessively worn or damaged Range Sliding Clutch or Yoke.
No range shift or slow range shift (Also see Air System Troubleshooting)	Transmission Air System problem.	Perform Air System troubleshooting procedure. Check for proper air signal from Master Valve. Check Air Module Test Ports for proper air delivery.
	Range cylinder problem.	Check for failed or damaged Range Piston, Piston Bar, or Cylinder. Check for failed or loose Range Piston Snap Ring.
	Range Yoke Assembly problem.	Check for failed or damaged Range Yoke. Check for failed or loose Range Yoke Snap Rings. Check for excessively long fastener installed in rear support hole. Check for binding between Range Yoke Bar and Range Alignment Lock Cover.
	Range Synchronizer problem.	Check for failed or damaged Range Synchronizer, Sliding Clutch, or Mating Gear. Check for excessively worn Range Synchronizer Friction Material.
Grinding Noise on Range Shift	Driver not preselecting range shift.	Instruct driver to preselect range shifts.
	Range Synchronizer worn or defective.	Check Range Synchronizer and mating parts for excessive wear or damage.

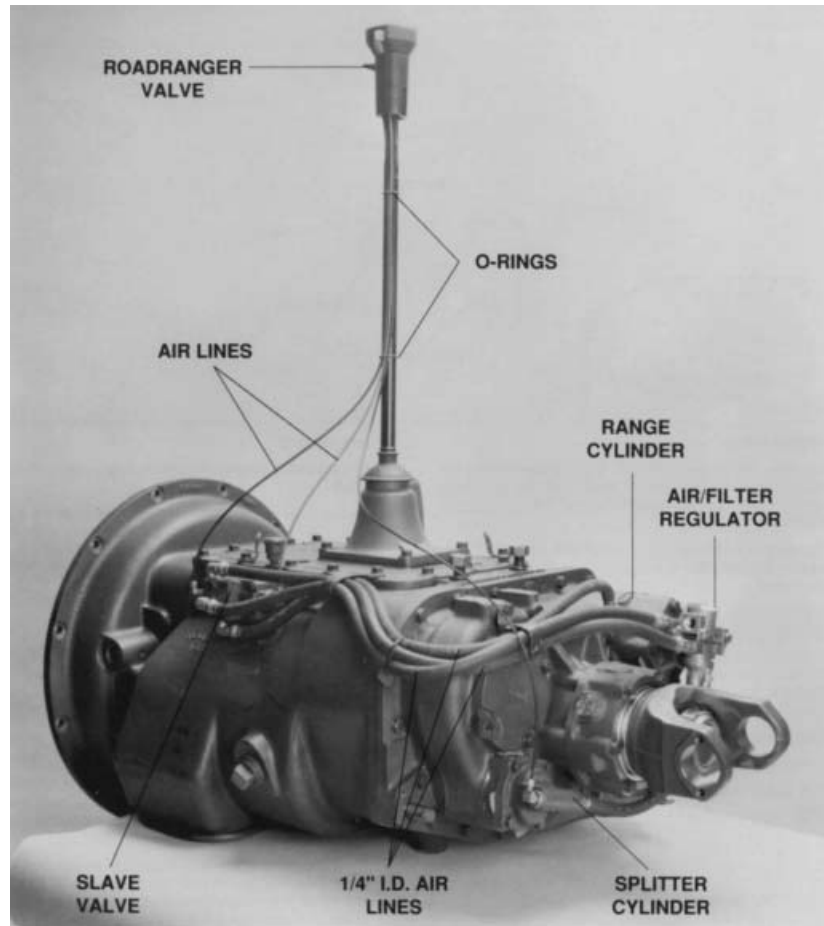


# Air System

## Air System Troubleshooting

**⚠ WARNING**

Use care when removing Air Lines or checking for air flow from disconnected Air Lines. High pressure air may exhaust suddenly. Wear Safety Glasses. Exhaust all air pressure from system before removing Air Filter/Regulator or Combination Cylinder Cover.



**Note:** During all testing, the vehicle air pressure must be greater than 90 PSI (620 kPa). If during testing the pressure falls below 90 PSI (620 kPa), make sure the Transmission is in Neutral, start the engine and let the pressure build to Governor cutoff. After the pressure reaches the Governor cutoff, continue testing. The pressure is critical if the vehicle is equipped with a Vehicle Air System Pressure Protection Valve that would shut off the air supply to certain air circuits if the system pressure dropped below a preset level.

**⚠ IMPORTANT**

Use the following Air System troubleshooting procedures for part replacement only if the symptom can be duplicated. If the problem is intermittent, parts that are not defective could be replaced.

### Instructions:

1. Start at "Procedures" for Step A.
2. Based on the "Result" of the procedure, go to the corresponding "What To Do Next".

## Procedure 1: Symptom - Air Leak at Shift Knob

### Normal Operation:

- A burst of air will be exhausted from the Shift Knob when moving the Range Selector from Low to High. This is the air being exhausted from the “P” Air Line.
- A burst of air will be exhausted from the Shift Knob when moving the Splitter Button rearward (shifting to Low split). This is the air being exhausted from the “SP” Air Line.

### Possible Causes:

- Incorrectly attached Air Lines
- Internal leak in Slave Valve
- Internal leak at Insert Valve
- Internal leak at Shift Knob

Table 10 Air Leak at Shift Knob

	Procedure	Result	What to Do Next
<b>Step A</b>	Remove lower skirt on Shift Knob. Check for leaking fitting at the Shift Knob.	Leak found.	Repair leaking fitting or Air Line.
		No leak found.	Go to Step B.
<b>Step B</b>	Check Air Lines to make sure all lines are connected to the proper ports on the Shift Knob.  A.) Reversal of “S” and “P” lines will result in a constant leak from the exhaust when High Range is selected. B.) Reversal of the H/L and “SP” lines will result in a constant leak when the Splitter Button is rearward.	Air Lines are not connected to the proper ports.	Connect lines properly.
		Air Lines are connected to the proper ports.	Go to Step C.
<b>Step C</b>	Move the Range Selector Lever down to Low Range. Check for constant air flow from the exhaust “E” port.	Constant air flow from the “E” port.	Replace Knob.
		No air flow from “E” port.	Go to Step D.
<b>Step D</b>	Move the Range Selector up to High Range. Disconnect the small Air Line connected to the “P” port of the Shift Knob. Check for air flow from the port and Air Line.	Constant air is leaking from the “P” port or the “E” port.	Repair or replace the Shift Knob.
		Air is coming out of the disconnected Air Line.	1. Verify that the Air Line is connected to the Slave Valve “P” port.  2. If properly connected, replace the Slave Valve.
		Air is not leaking from either port or disconnected Air Line.	Go to Step E.

# Air System

Table 10 Air Leak at Shift Knob (Continued)

	Procedure	Result	What to Do Next
<b>Step E</b>	Reattach the Air Line to the "P" port. Move the Range Selector down to Low Range and move the Splitter Button rearward. Disconnect line from the "SP" port. Check for air flowing from the SP port on the Shift Knob.	Air is flowing from the SP line.	<ol style="list-style-type: none"> <li>1. Check to make sure the "SP" line is connected to the Splitter Cylinder Cover.</li> <li>2. If the line is properly attached, check that the Insert Valve (old style) is properly installed (stem facing inward) and that the Insert Valve Bore is not defective.</li> <li>3. Replace the Insert Valve.</li> </ol>
		Air is not flowing from the line.	Repair or replace the Shift Knob.

## Procedure 2: Symptom - Air Leak at Slave Valve

### Normal Operation:

A momentary exhaust of air at the Slave Valve occurs during a range shift. The air from the Low Range side of the Range Cylinder is exhausted as air pressure is applied to the High Range side. Likewise, air from the High Range side of the Piston is exhausted as air pressure is applied to the Low Range side. The Exhaust Port is located at the Slave Valve to Transmission mounting interface.

### Possible Causes:

- Internal leak in Range Cylinder.
- Internal leak in Slave Valve.

Table 11 Air Leak at Slave Valve

	Procedure	Result	What to Do Next
<b>Step A</b>	Confirm that air is leaking from the Exhaust Port on the Slave Valve and not a fitting or Air Line.	Air is leaking from fitting or Air Line.	Repair or replace Fitting or Air Line.
		Air is definitely leaking from Slave Valve Exhaust Port.	Go to Step B.
<b>Step B</b>	Move Range Selector down to select Low Range. Remove the 1/4" I.D. rubber Air Line at the High Range Supply Port on the Range Cylinder. Feel for air flow from the open port on the Range Cylinder. Notice if the air leak at the Slave Valve only occurs when the Transmission is in High Range. Repeat the above test but remove the Low Range Air Hose and check with High Range selected.	Air is flowing from High Range Supply Port on Range Cylinder.	Remove Range Cylinder Cover and repair leaking Range Piston or Piston Seal. After repair, check for proper Range operation.
		No air flow from High Range Port.	Repair or replace Slave Valve.

# Air System

---

## Procedure 3: Symptom - Air Leak from Transmission Breather or Transmission Case is Pressurized

### Normal Operation:

There should be no measurable air flow from the Transmission Breather.

### Possible Causes:

- Leak at Range Yoke Bar O-Ring
- Leak at Splitter Yoke Bar O-Ring

Table 12 Air Leak from Transmission Breather or Transmission Case is Pressurized

	Procedure	Result	What to Do Next
<b>Step A</b>	Listen for the air leak with the Transmission shifted to both Low and High Range.	Leak is only in Low Range.	Remove Range Cylinder and inspect for damaged Range Yoke Bar, Yoke Bar O-Ring, or Range Cylinder. Repair as necessary.
		Leak is in both Low and High Range.	Remove Splitter Cylinder. Inspect for damaged Splitter Yoke Bar, O-Ring, or Cylinder. Repair as necessary.

## Procedure 4: Symptom - Air Leak at Splitter Cylinder Cover Exhaust Port

### Normal Operation:

A burst of air will exhaust from this port when shifting into Low split (the Splitter Button is moved rearward while in Low Range).

### Possible Causes:

- Damaged/defective Insert Valve
- Leak past Insert Valve external O-Rings
- Leak past Splitter Cylinder Piston

Table 13 Air Leak at Splitter Cylinder Cover Exhaust Port

	Procedure	Result	What to Do Next
<b>Step A (old style)</b>	Remove Insert Valve. Check for contamination, damaged seals, or sticky movement. Check the Insert Valve Bore in the Splitter Cylinder Cover for contamination or damage which would result in leakage past the Insert Valve O-Rings.	Contamination or damage found.	Repair or replace as necessary.
		No contamination or damage found.	Go to Step B.
<b>Step B</b>	Remove the Splitter Cylinder Cover and piston. Check the piston Bore for contamination or damage. Check the piston seals for damage. <b>Note:</b> Early production Transmissions used a Paper Gasket to seal the Splitter Cover to Cylinder, if necessary, replace this configuration with the Spool Valve design which uses an O-Ring.	Contamination or damage found.	Repair or replace as necessary.

# Air System

## Procedure 5: Symptom - No or Slow Range Shift into Low

### Normal Operation:

When the Range Selector on the Shift Knob is moved down to select Low Range, air pressure will flow through the Shift Knob to the “P” port on the Slave Valve. The Slave Valve will direct air pressure through the Low Range 1/4” Rubber Hose to the Range Cylinder to shift the range. There will be a brief burst of air at the Slave Valve as the High Range side of the Range Piston exhausts. Likewise, when High Range is selected, the air pressure in the “P” will be exhausted at the Shift Knob. This will cause the Slave Valve to direct air to the rear side of the Range Cylinder Piston. The air pressure on the Low Range side will be exhausted at the Slave Valve.

### Possible Causes:

- Incorrect Air Line hook up
- Insufficient air supply to Transmission
- Damaged or defective Air Filter/Regulator Assembly
- Damaged or defective Shift Knob Master Valve
- Damaged or defective Slave Valve
- Damaged or defective Range Cylinder
- Damaged or defective range Yoke or Yoke Bar
- Damaged or defective Range Synchronizer
- Damaged or defective gearing in Auxiliary Section of Transmission

Table 14 No or Slow Range Shift into Low

	Procedure	Result	What to Do Next
<b>Step A</b>	Place the Shift Lever in Neutral. Check for constant air leakage at the Shift Knob, Slave Valve, and Transmission Case Breather when both Low and High Range have been selected.	Constant air leak is detected.	Go to the other corresponding symptom first. See beginning of Air System Troubleshooting section.
		No constant leak is detected.	Go to Step B.
<b>Step B</b>	Place Shift Lever in Neutral. Move Range Selector up to High Range position. At the rear of the Transmission, disconnect the 1/4" Rubber Air Line from the Low Range supply port on the Range Cylinder. Check for air flow from the Low Range port.	Air flows from the Low Range port.	Remove Range Cylinder Cover and repair leaking Range Piston or Piston Seal.
		No air flow from Low Range port.	Go to step C.
<b>Step C</b>	Check for air flow from the disconnected Air Line.	Air flows from disconnected Air Line.	Go to step F.
		No air flow from disconnected line.	Go to step D.

Table 14 No or Slow Range Shift into Low (Continued)

	Procedure	Result	What to Do Next
<b>Step D</b>	Install a 100 PSI Air Gauge in the disconnected Air Line end. With the Shift Lever in Neutral, move the Range Selector down to select Low Range. Observe the Gauge.	The Gauge read 0 PSI.	Go to step F.
		The Gauge reads pressure but is lower than 58 PSI or higher than 63 PSI.	Replace the Filter/Regulator and check for proper range operation.
		The Gauge reads between 58–63 PSI.	Go to step E.
<b>Step E</b>	Confirm that Shift Lever is still in Neutral. Have an assistant move the Range Selector up and down between Low and High Range. Does the pressure measured at the Gauge respond rapidly when going from High to Low.	Pressure rapidly changes between 58–63 PSI and 0 at the Gauge.	Air System appears to be operating satisfactory. Go to step R.
		Pressure does not change rapidly at Gauge.	1. Check for a plugged or dirty filter in the Filter/Regulator Assembly. 2. Check for a pinched or obstructed 1/4" Rubber Air Line between the Filter/Regulator and Slave Valve. 3. Check for a pinched or obstructed 1/4" Rubber Air Line between the Slave Valve and the Test Gauge. 4. If all are satisfactory, go to step F.
<b>Step F</b>	Place Shift Lever in Neutral. At the Shift Knob, move the Range Selection Lever up to select High Range. At the Slave Valve, remove the Air Line from the 'P' port. (should be black line). Check for air flow from the disconnected line.	Air flows from the disconnected line.	1. Confirm that the Air Lines are connected to the correct ports at the Shift Knob.  2. If the lines are correct, replace the Shift Knob.
		No air flow from the disconnected line.	Go to step G.
<b>Step G</b>	Check for air flow from the 'P' port on the Slave Valve.	Air flows from this port.	Replace the Slave Valve.
		No air flow from this port.	Go to step H.
<b>Step H</b>	Place the Shift Lever in Neutral. Install a 100 PSI Pressure Gauge in line with the 'P' line. Move the Range Selector back and forth from Low to High Range. The Gauge should show rapid pressure change.	The Gauge responds slowly.	1. Check for a restricted line between the Shift Knob and Slave Valve.



# Air System

Table 14 No or Slow Range Shift into Low (Continued)

	Procedure	Result	What to Do Next
		The Gauge rapidly moves between 58–63 PSI and 0 PSI.	<ol style="list-style-type: none"> <li>2. If the lines are correct, replace the Shift Knob.</li> <li>3. Check for a plugged or dirty filter in the Filter/Regulator Assembly.</li> <li>4. Check for a pinched or obstructed 1/4" Rubber Air Line between the Filter/Regulator and Slave Valve.</li> <li>5. Check for a pinched or obstructed Air Line between the Slave Valve and the "S" Port on the Shift Knob.</li> <li>6. If all are good, replace the Shift Knob.</li> </ol> <p>Go to step I.</p>
<b>Step I</b>	<p>If possible, leave Air Lines attached to Slave Valve. Unbolt the Slave Valve from Transmission side. Check for free movement of the Plunger Pin protruding from the Case under the Slave Valve. The Pin should extract when the Transmission is shifted into gear and retract when shifted into Neutral.</p> <p><b>Note:</b> If desired, the Slave Valve can be actuated and tested while unbolted from the Transmission Case. The Air Lines of course, must remain attached.</p>	<p>Actuating Plunger Pin does not move freely.</p> <p>Actuating Plunger Pin moves freely.</p>	<ol style="list-style-type: none"> <li>1. Remove Actuating Plunger Pin and check for damage.</li> <li>2. Check for missing or broken Spring. Repair or replace Slave Valve and check for proper range operation.</li> </ol>
<b>Step R</b>	<p>If Air System has been tested and found to operate satisfactory, the Auxiliary Section must be removed to inspect for mechanical problem. Remove Auxiliary Section and inspect for:</p> <ul style="list-style-type: none"> <li>• Binding of Range Yoke Bar or Piston</li> <li>• Damaged or defective Range Yoke</li> <li>• Damaged or defective Range Synchronizer</li> <li>• Cracked c/s weld resulting in gear turning on shaft</li> <li>• Damaged or defective Range Sliding Clutch</li> <li>• Auxiliary Section gearing out of time</li> </ul>		

## Procedure 6: Symptom - No or Slow Range Shift into High

### Normal Operation:

When the Range Selector on the Shift Knob is moved down to select Low Range, air pressure will flow through the Shift Knob to the 'P' port on the Slave Valve. The Slave Valve will direct air pressure through the Low Range 1/4" Rubber Supply Hose to the Range Cylinder to shift the range. There will be a brief burst of air at the Slave Valve as the High Range side of the Range Piston exhausts.

Likewise, when High Range is selected, the air pressure in the "P" will be exhausted at the Shift Knob. This will cause the Slave Valve to direct air to the rear side of the Range Cylinder Piston. The air pressure on the Low Range side will be exhausted at the Slave Valve.

### Possible Causes:

- Incorrect Air Line hook up
- Insufficient air supply to Transmission
- Plugged Filter
- Incorrect Regulator pressure
- Damaged or defective Shift Knob Master Valve
- Damaged or defective Slave Valve
- Damaged or defective Range Cylinder
- Damaged or defective range Yoke or Yoke Bar
- Damaged or defective Range Synchronizer
- Damaged or defective gearing in Auxiliary Section of Transmission

Table 15 No or Slow Range Shift into High

	Procedure	Result	What To Do Next
<b>Step A</b>	Place the Shift Lever in Neutral. Check for constant air leakage at the Shift Knob, Slave Valve, and Transmission Case Breather when both Low and High Range have been selected.	Constant air leak is detected.	Go to the other corresponding symptom first. See beginning of Air System Troubleshooting section.
		No constant leak is detected.	Go to Step B.
<b>Step B</b>	Place Shift Lever in Neutral. Move Range Selector down to Low Range position. At the Transmission rear, disconnect the 1/4" Rubber Air Line from the Range Cylinder High Range Supply Port. Check for air flow from the Cylinder High Range port.	Air flows from the High Range port.	Remove Range Cylinder Cover and repair leaking Range Piston or Piston Seal. After repair, check for proper range operation.
		No air flow from High Range port.	Go to step C.
<b>Step C</b>	Check for air flow from the disconnected Air Line.	Air flows from disconnected Air Line.	Go to step F.
		No air flow from disconnected line.	Go to step D.

# Air System

Table 15 No or Slow Range Shift into High (Continued)

	Procedure	Result	What To Do Next
<b>Step D</b>	Install a 100 PSI air Gauge in the disconnected Air Line end. With the Shift Lever in Neutral, move the Range Selector up to select High Range. Observe the Gauge.	The Gauge reads 0 PSI.	Go to step F.
		The Gauge reads pressure but is lower than 58 PSI or higher than 63 PSI.	Replace the Filter/Regulator and check for proper range operation.
		The Gauge reads between 58–63 PSI.	Go to step E.
<b>Step E</b>	Confirm that Shift Lever is still in Neutral. Have an assistant move the Range Selector up and down between Low and High Range. Does the pressure measured at the Gauge respond rapidly when going from High to Low.	Pressure rapidly changes between 58–63 PSI and 0 at the Gauge.	Air System appears to be operating satisfactory. Go to step R.
		Pressure does not change rapidly at Gauge.	<ol style="list-style-type: none"> <li>1. Check for a plugged or dirty filter in the Filter/Regulator Assembly.</li> <li>2. Check for a pinched or obstructed 1/4" rubber Air Line between the Filter/Regulator and Slave Valve.</li> <li>3. Check for a pinched or obstructed 1/4" Rubber Air Line between the Slave Valve and the Test Gauge.</li> <li>4. If all are satisfactory, go to step F.</li> </ol>
<b>Step F</b>	Place Shift Lever in Neutral. At the Shift Knob, move the Range Selection Lever up to select High Range. At the Slave Valve, remove the Air Line from the "P" port. (should be black line). Check for air flow from the disconnected line.	Air flows from the disconnected line.	<ol style="list-style-type: none"> <li>1. Confirm that the Air Lines are connected to the correct ports at the Shift Knob.</li> </ol>
		No air flow from the disconnected line.	<ol style="list-style-type: none"> <li>2. If the lines are correct, replace the Shift Knob.</li> </ol> Go to step G.
<b>Step G</b>	Check for air coming out of the Slave Valve "P" port.	Air flows from this port.	Replace the Slave Valve.
		No air flow from this port.	Go to step H



# Air System

Table 15 No or Slow Range Shift into High (Continued)

	Procedure	Result	What To Do Next
<b>Step R</b>	<p>If Air System has been tested and found to operate satisfactory, the Auxiliary Section must be removed to inspect for mechanical problem. Remove Auxiliary Section and inspect for:</p> <ul style="list-style-type: none"> <li>• Binding of Range Yoke Bar or Piston</li> <li>• Damaged or defective range Yoke</li> <li>• Damaged or defective Range Synchronizer</li> <li>• Cracked c/s weld resulting in gear turning on shaft</li> <li>• Damaged or defective Range Sliding Clutch</li> <li>• Auxiliary Section gearing out of time</li> </ul>		

## Procedure 7: Symptom - Range Shifts with Shift Lever in Gear

### Normal Operation:

Range shift should only occur when the Shift Lever is in Neutral. The Range Selector can be moved up or down while the Shift Lever is in a gear position, but the shift will not occur until the Shift Lever is moved to Neutral.

### Possible Causes:

- Worn or missing Actuating Pin or Air Valve Shaft
- Worn Shift Rail

### Procedure:

If the Range has been confirmed to shift with the Shift Lever in gear, unbolt the Slave Valve from the side of the Transmission. Confirm that the Actuating Pin is present and that it is the proper P/N for the corresponding Slave Valve. If correct, remove the Shift Bar Housing Assembly and check for a worn or damaged Air Valve Shaft or worn Shift Rails. Replace necessary parts.

## Timing Procedures

### Special Instructions

It is essential that both Countershaft Assemblies of the Front and Auxiliary Sections are “timed.” This assures proper tooth contact is made between Mainshaft Gears seeking to center on the Mainshaft during torque transfer and mating Countershaft Gears that distribute the load evenly. If not properly timed, serious damage to the Transmission is likely to result from unequal tooth contact causing the Mainshaft Gears to climb out of equilibrium.

Timing is a simple procedure of marking the appropriate teeth of a gear set prior to installation and placing them in proper mesh while in the Transmission. In the Front Section, it is necessary to time only the Drive Gear set. And depending on the model, only the LO Range, Deep Reduction, or Splitter Gear Set is timed in the Auxiliary Section.

### Procedure - Front Section

1. **Marking Countershaft Drive Gear teeth:** Prior to placing each Countershaft Assembly into the Case, clearly mark the tooth located directly over the Drive Gear Keyway as shown. This tooth is stamped with an “O” to aid identification.

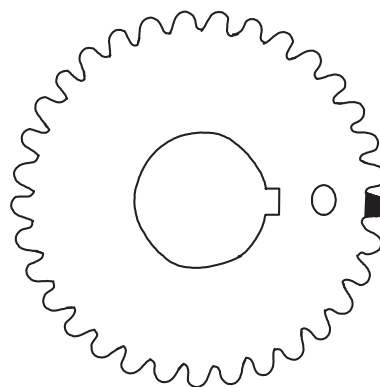


Figure 2

2. **Marking Main Drive Gear teeth:** Mark any two adjacent teeth on the Main Drive Gear.

Mark the two adjacent teeth located directly opposite the first set marked on the Main Drive Gear. As shown to the left, there should be an equal number of unmarked gear teeth on each side between the marked sets.

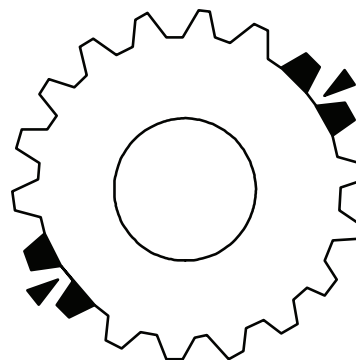
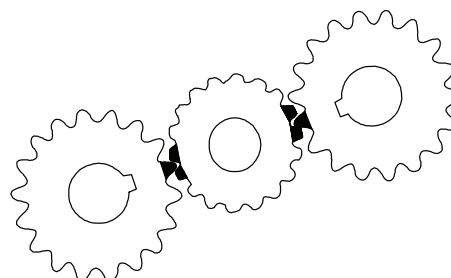


Figure 3

3. **Meshing marked Countershaft Drive Gear teeth with marked Main Drive Gear teeth:** After placing the Mainshaft Assembly into the Case, the Countershaft Bearings are installed to complete installation of the Countershaft Assemblies.

When installing the bearings on the left Countershaft, mesh the Countershaft Drive Gear marked tooth with either set of Main Drive Gear two marked teeth.

Repeat the procedure when installing the Bearings on the Right Countershaft, make use of the remaining set of Main Drive Gear two marked teeth to time assembly.



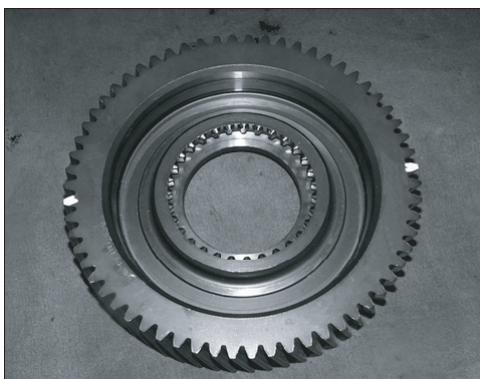
# Timing

---

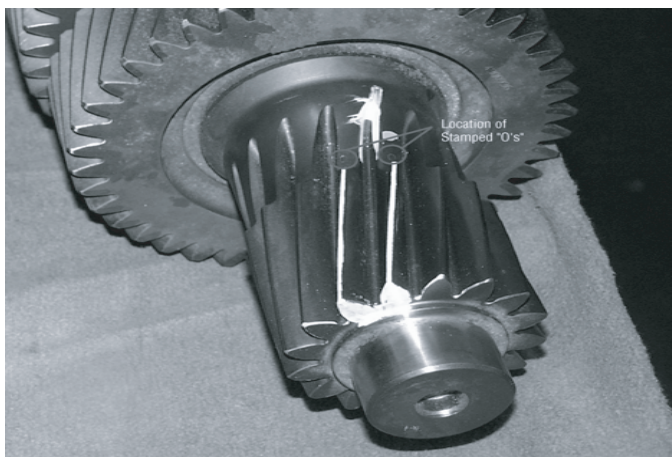


## Procedure - Time the RT Auxiliary Section

1. Mark a tooth on the Reduction Gear with a highly visible paint, preferably a yellow or white.
2. Mark a second tooth 180 degrees away from the first. (Ensure the marks are in the correct position by counting the teeth between them. You should have exactly the same number of teeth on the Reduction Gear between the marked teeth).



## FR and RT Stamp Position



3. Locate the two stamped "O's" on the Countershaft Reduction Gears and mark both teeth with a highly visible paint, preferably a yellow or white.



4. Use a Round File or Bar to properly align from the marked teeth on the Auxiliary Countershaft to the Auxiliary Splitter Gear. When the Bar is lined up with the root, between the correct teeth, you will notice it's parallel with the Auxiliary Countershaft. Mark both the teeth with a highly visible paint.

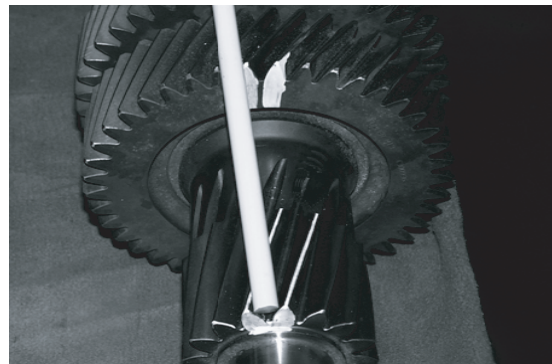
### Example of correct alignment

Bar in correct position parallel with the Countershaft, and between the marked Splitter gear and Reduction Gear teeth.



### Examples of Left or Right Misalignment

Left

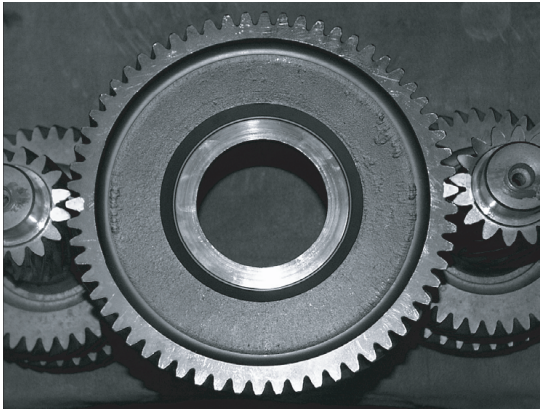


Right



# Timing

---

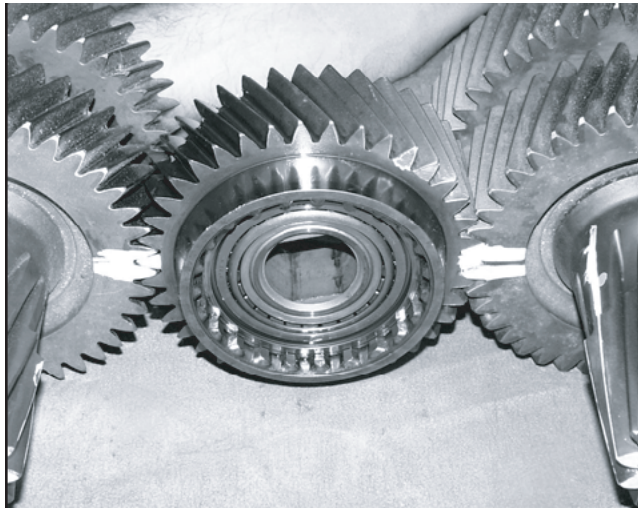


5. Lay the Splitter Gear on a flat surface and mark it similar to steps 1 and 2 of this procedure. **(Make sure the teeth are painted on both faces of the Splitter Gear front and rear).**

**Example showing correct view of Reduction Gear timed to Countershaft Gears on the bench:**

6. Install the Reduction Gear and Output Shaft Assembly into the Auxiliary Case. Then, install the Auxiliary Countershafts and Splitter Gear. **(Countershaft Retaining Straps must be used to hold the Auxiliary Countershafts in place until the Auxiliary Section is fully installed. Failure to use the straps could result in the Auxiliary Section moving out of time).**

**Examples of Splitter Gear timed to the Auxiliary Countershafts:**



7. To ensure the timing is correct, check that the marked tooth on the Splitter Gear is between the two marked teeth on the Auxiliary Countershaft Gears as shown in the illustrations:



## How to Remove Oil Filter Adapter

### Special Instructions

The Oil Filter Adapter **must** be removed before the Transmission can be set on the table for servicing. Failure to do so will make the Transmission unstable and may damage the Filter Adapter.

If the Transmission is not equipped with an Oil Filter Adapter at the Pump Outlet, skip this procedure.

### Special Tools

- Typical Service Tools

### Procedure -

1. Remove the Oil Filter by turning it in the counter-clockwise direction.
2. From the Oil Filter Adapter, remove the (5) 3/16" Allen Head Cap Screws.
3. Remove the Gasket and clean all mounting surfaces.



# In-Vehicle Service Procedures

---

## How to Assemble Oil Filter Adapter

### Special Instructions

None

### Special Tools

- Typical Service Tools

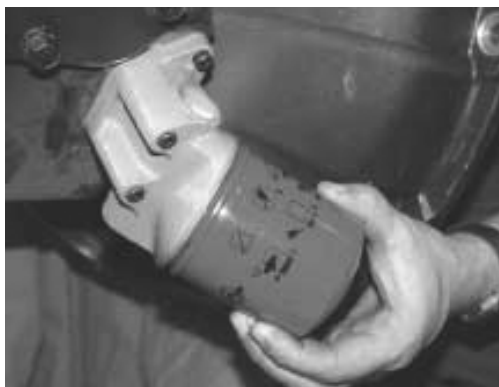


### Procedure -

1. Position the new Gasket on the Adapter mounting surface with (2) Cap Screws through the Adapter to hold the Gasket in place.



2. Install the Filter Adapter and torque all Cap Screws to 8–12 lb-ft (10.85–16.30 N•m).



3. Install a new Oil Filter, Eaton® Part #4304827 or equivalent.

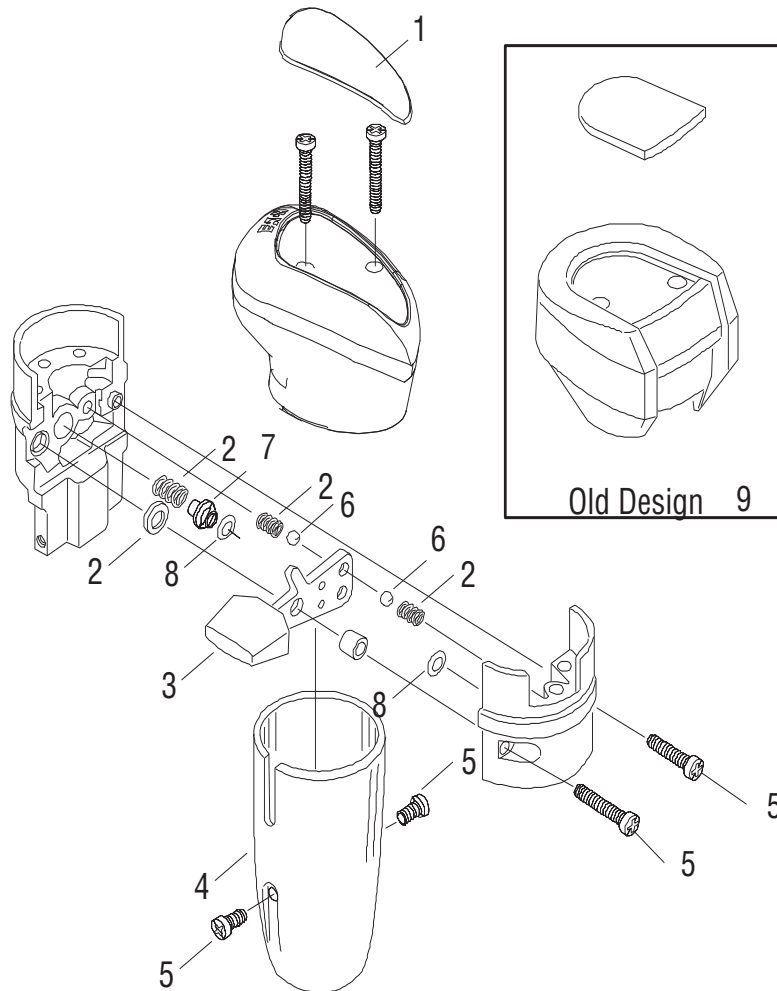
## How to Disassemble Roadranger Valve A-5010

### Special Instructions

None

### Special Tools

- Typical Service Tools



### Component Nomenclature and Roadranger Valve Sectional View

- |               |                         |
|---------------|-------------------------|
| 1. Medallion  | 7. Retainer             |
| 2. Spring     | 8. O-Ring               |
| 3. Lever      | 9. Old Style Shift Knob |
| 4. Cover      |                         |
| 5. Screw      |                         |
| 6. Ball 5/32" |                         |

# In-Vehicle Service Procedures

---

## **Procedure -**

1. Remove the two screws holding the Bottom Cover to the Valve and slide the Cover down the Gear Shift Lever to expose Air Line Fittings. Disconnect the Air Lines.
2. Loosen the Jam Nut and turn the Roadranger Valve from the Gear Shift Lever.
3. Pry the Medallion from the recess in the Top Cover.
4. Turn out the two screws to remove the Top Cover from the Valve Housing.
5. Turn out the two screws in the side of the Valve Housing to separate the Housing.
6. Remove the Range Selection Lever from the Left Housing along with the Position Balls and Guide.
7. If necessary, remove the Springs and O-Ring from the Bores in the Left Housing.
8. If necessary, remove the Springs, O-Ring and Sleeves from the Bores in the Right Housing.

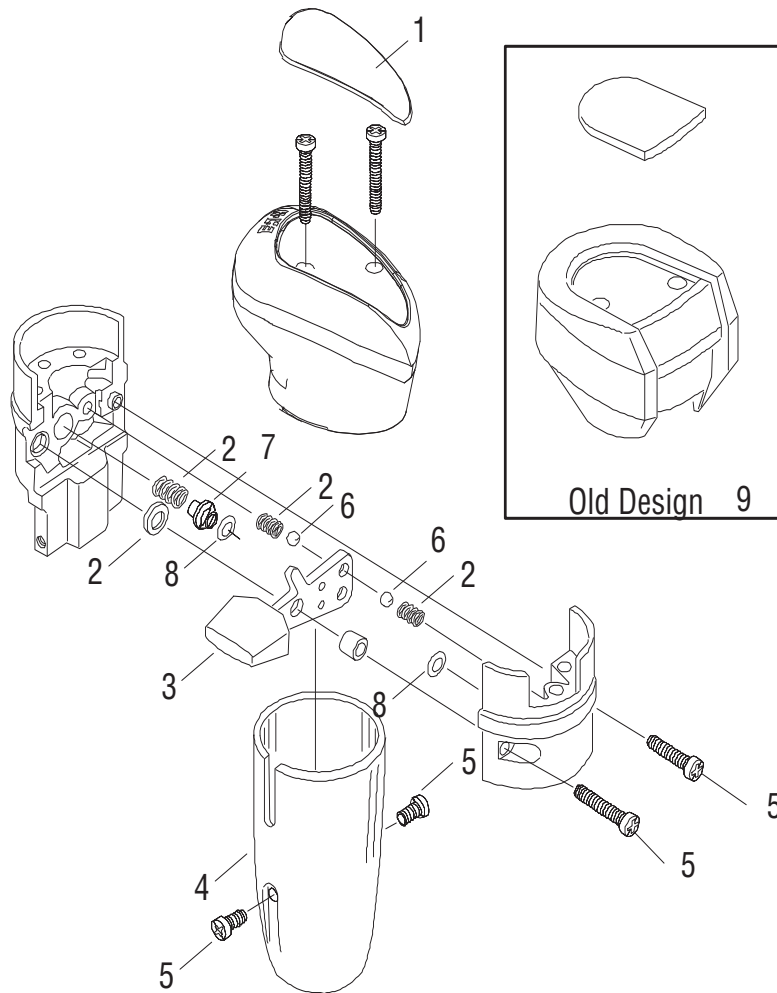
## How to Assemble Roadranger Valve A-5010

### Special Instructions

None

### Special Tools

- Typical Service Tools



### Component Nomenclature and Roadranger Valve Sectional View

- 1. Medallion
- 2. Spring
- 3. Lever

- 4. Cover
- 5. Screw
- 6. Ball 5/32"

- 7. Retainer
- 8. O-Ring
- 9. Old Style Shift Knob

# In-Vehicle Service Procedures

---

## **Procedure -**

1. Refer to the drawing for proper reassembly. Use a very small amount of Silicone Lubricant on the O-Rings to avoid clogging the ports. A small amount of grease on the Position Springs and Balls will help to hold them in place during reassembly.
2. Reinstall Roadranger Valve on Gear Shift Lever and tighten the Jam Nut.
3. Attach the Air Lines and reinstall the Bottom Cover.



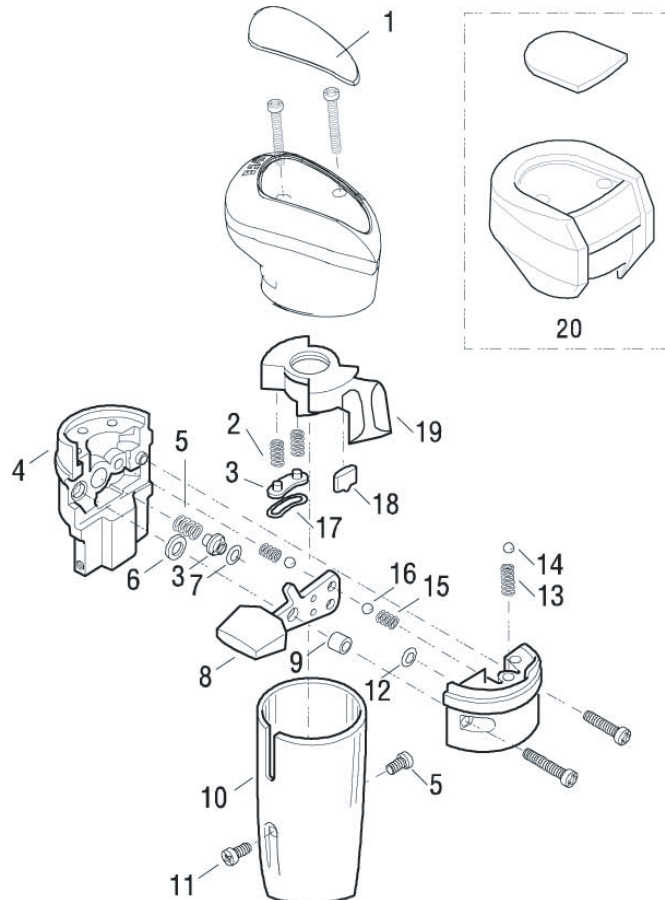
## How to Disassemble Roadranger Valve A-4900

### Special Instructions

None

### Special Tools

- Typical Service Tools



### Component Nomenclature and Roadranger Valve Sectional View

- |                   |                          |
|-------------------|--------------------------|
| 1. Medallion      | 11. Screw                |
| 2. Spring         | 12. O-Ring               |
| 3. Retainer       | 13. Spring               |
| 4. Housing        | 14. 5/32" Ball           |
| 5. Spring         | 15. Spring               |
| 6. Washer         | 16. Ball                 |
| 7. O-Ring         | 17. Seal                 |
| 8. Range Selector | 18. Detent               |
| 9. Pin            | 19. Splitter Button      |
| 10. Cover         | 20. Old Style Shift Knob |

# In-Vehicle Service Procedures

---

## **Procedure -**

1. Remove the two screws holding the Bottom Cover to the Valve and slide the Cover down the Gear Shift Lever to expose the Air Line Fittings. Disconnect the Air Lines.
2. Loosen the Jam Nut and turn the Control Valve from the Gear Shift Lever.
3. Pry the Medallion from the recess in the Top Cover.
4. Turn out the two screws to remove the Top Cover from the Valve Housing.
5. Turn out the two screws in the side of the Valve Housing to separate the Housing.
6. Remove the Range Selection Lever from the Left Housing along with the Position Balls and Guide.
7. If necessary, remove the Springs and O-Ring from the Bores in the Left Housing.
8. If necessary, remove the Springs, O-Ring and Sleeve from the Bores in the Right Housing.

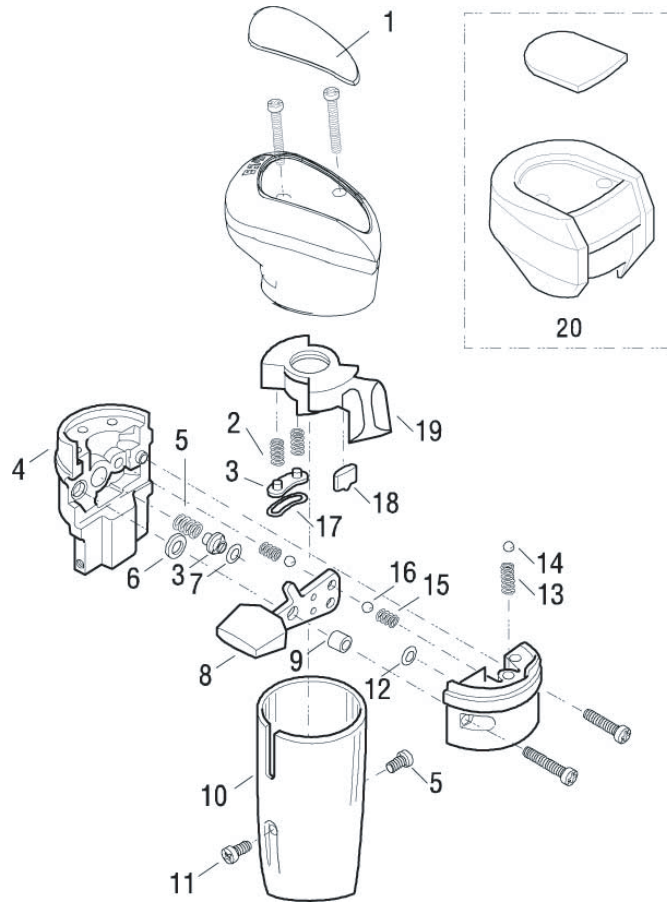
## How to Assemble Roadranger Valve A-4900

### Special Instructions

None

### Special Tools

- Typical Service Tools



### Component Nomenclature and Roadranger Valve Sectional View

- |              |                   |                |                          |
|--------------|-------------------|----------------|--------------------------|
| 1. Medallion | 6. Washer         | 11. Screw      | 16. Ball                 |
| 2. Spring    | 7. O-Ring         | 12. O-Ring     | 17. Seal                 |
| 3. Retainer  | 8. Range Selector | 13. Spring     | 18. Detent               |
| 4. Housing   | 9. Pin            | 14. 5/32" Ball | 19. Splitter Button      |
| 5. Spring    | 10. Cover         | 15. Spring     | 20. Old Style Shift Knob |

In-Vehicle Service Procedures

# In-Vehicle Service Procedures

---

## **Procedure -**

1. Refer to the drawing for proper reassembly. Use a very small amount of Silicone Lubricant on the O-Rings to avoid clogging the ports. A small amount of grease on the Position Springs and Balls will help to hold them in place during reassembly
2. Install the Control Valve on the Gear Shift Lever and tighten the Jam Nut.
3. Attach the Air Lines and install the Bottom Cover.

## How to Remove the Air Lines and Hoses

### Special Instructions

Before removing the Air Lines and Hoses, label or record their location.

If you are unsure of their location, after you remove the Air Lines and Hoses, see the Air System Troubleshooting Guide TRTS0920.

### Special Tools

- Typical Service Tools
- For “Push-to-Connect” Fittings, the Eaton Service Tool Kit K-2394 is recommended. The Kit contains the Release Tool and the Tubing Cutter.

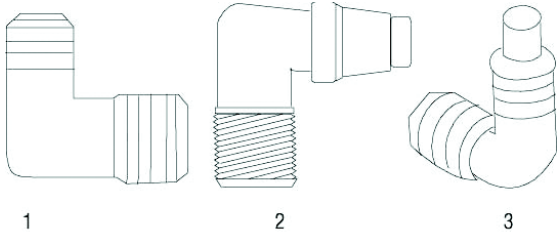
### Procedure -

1. Disconnect all Air Lines and Hoses.
2. Inspect the Air Lines and Hoses.



# In-Vehicle Service Procedures

---



Air Line Fitting Types

- 1. 1/8" tube-1/8" NPTF
- 2. Push-to-connect
- 3. 5/32" tube-1/8" NPTF

3. Inspect Air Fittings and remove if damaged.

## How to Install the Air Lines and Hoses

### Special Instructions

Make sure Air Lines and Hoses are not damaged.

Install the Air Lines and Hoses at their proper location.

All externally threaded 1/8" or 5/32" Air Lines and Pipe Fittings that are not coated with pre-applied thread sealant must be coated with Eaton® Sealing Material #71209 or equivalent for at least 5 complete and consecutive threads.

All externally threaded 1/4" Air Fittings that are not coated with pre-applied thread sealant must be coated with Eaton Sealing Material #71209 or equivalent for at least 3 complete and consecutive threads.

For the 1/4" I.D. Air Hoses, install the fixed nut end first.

To install the Air Lines and Hoses, the Air Filter/Regulator must be in position.

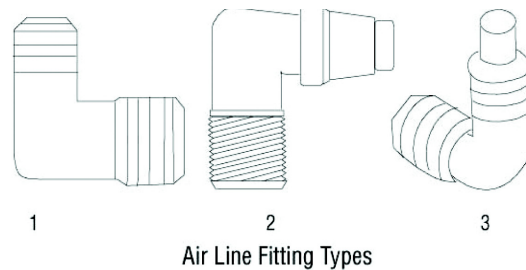
If you are unsure of the Air Line and Hose locations, see the Air System Troubleshooting Guide TRTS0920.

### Special Tools

- Typical Service Tools
- For 'Push-to-Connect' Fittings, the Eaton Service Tool Kit K-2394 is recommended. The Kit contains the Release Tool and a Tubing Cutter.

### Procedure -

1. Replace damaged Air Fittings.



1. 1/8" tube-1/8" NPTF
2. Push-to-connect
3. 5/32" tube-1/8" NPTF



# In-Vehicle Service Procedures

---



2. Connect the Air Lines from the Slave Valve to the Range Cylinder.



3. Connect all removed Air Lines and Hoses.
4. Make sure the Fittings are tight and the Lines are not kinked.



## How to Remove Compression Type Fittings

### Special Instructions

**WARNING**

A sudden release of air pressure can cause personal injury or damage to equipment. To prevent injury or equipment damage, exhaust the Vehicle Air Tanks

**CAUTION**

Small Air Lines are available in 1/8" or 5/32" sizes. Make sure 1/8" Air Lines are used with 1/8" Fittings and 5/32" Lines are used with 5/32" Fittings. Mixing sizes can cause air leaks or damage to Fittings.

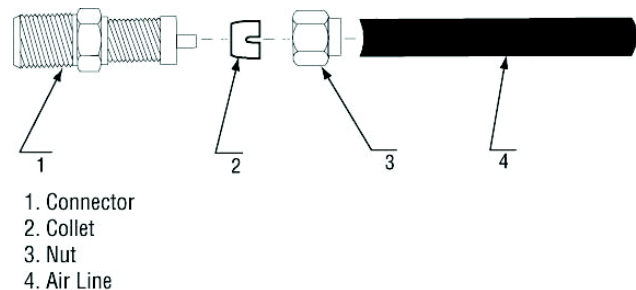
Before removing the Air Lines and Hoses, label or record their location.

### Special Tools

- Typical Service Tools

### Procedure -

1. Exhaust the Vehicle Air Tanks before continuing.
2. Loosen the nut on the fitting, and slide it back out of the way.
3. Pull the Air Line and attached Collet from the fitting.
4. Inspect the fitting, Air Line, Collet, and Nut for damage or wear. Replace as necessary.



# In-Vehicle Service Procedures

---

## How to Install Compression Type Fittings

### Special Instructions

**⚠ WARNING**

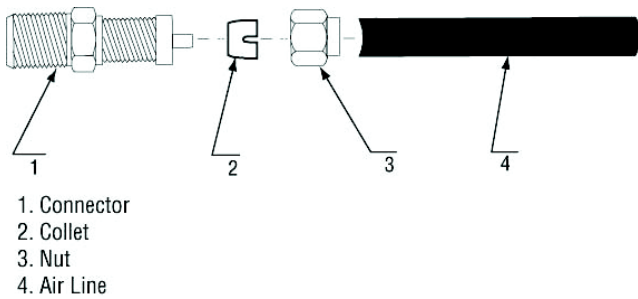
**A sudden release of air pressure can cause personal injury or damage to equipment. To prevent injury or equipment damage, exhaust the Vehicle Air Tanks**

**⚠ CAUTION**

**Small Air Lines are available in 1/8" or 5/32" sizes. Make sure 1/8" Air Lines are used with 1/8" Fittings and 5/32" Air Lines are used with 5/32" Fittings. Mixing sizes can cause air leaks or damage to Fittings.**

### Special Tools

- Typical Service Tools



### Procedure -

1. Check the threads of the fitting for thread sealant. If no sealant is present, apply Eaton Thread Sealant #71205 or equivalent.
2. Install the fitting.

**Note:** Do not overtighten the nut. Overtightening can compress the Collet too much and cause an air line restriction.

3. Install the Air Line, Collet, and Nut. If installing a new fitting, place the Collet in the fitting and loosely install the Nut. (Do not tighten the Nut yet.) Insert the Air Line through the Nut and into the Collet. Tighten the Nut as usual.
4. Enable the Vehicle Air System. Allow the Air Tanks to pressurize, and check for leaks. Repair as necessary.

## How to Remove Push-to-Connect Type Fittings

### Special Instructions

**WARNING**

A sudden release of air pressure can cause personal injury or damage to equipment. To prevent injury or equipment damage, exhaust the vehicle air tank.

**CAUTION**

Make sure only 5/32" Air Lines are used with Push-to-Connect Fittings. Using sizes other than 5/32" can cause air leaks or damage to Fittings.

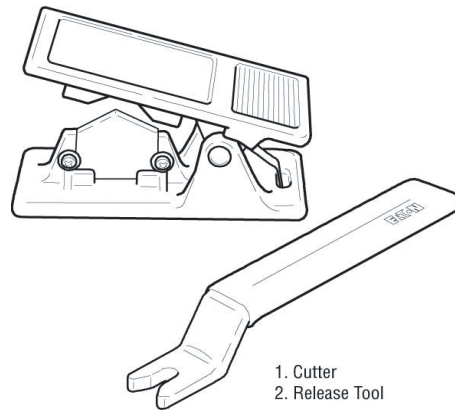
Before removing the Air Lines and Hose, label or record their location.

### Special Tools

- See Tool Information (see Table 8)
- For "Push-to-Connect" Fittings, the Eaton Service Tool Kit K-2394 is recommended. The Kit contains the Release Tool and the Tubing Cutter.

### Procedure -

1. Exhaust the Vehicle Air Tanks before continuing.



2. Use the Air Line Release Tool from Kit K-2394 to press the Release Sleeve down while pulling the Air Line from the fitting.
3. Inspect the fitting for damage or wear. Remove and replace as necessary.



# In-Vehicle Service Procedures

---

## How to Install Push-to-Connect Type Fittings

### Special Instructions

**⚠ WARNING**

**A sudden release of air pressure can cause personal injury or damage to equipment. To prevent injury or equipment damage, exhaust the Vehicle Air Tanks**

**⚠ CAUTION**

**Make sure only 5/32" Air Lines are used with Push-to-Connect Fittings. Using sizes other than 5/32" can cause air leaks or damage to Fittings**

### Special Tools

- See Tool Information (see Table 5)
- For 'Push-to-Connect' Fittings, we recommend Eaton Service Tool Kit K-2394. The Kit contains the Release Tool and the Tubing Cutter.



### Procedure -

1. Check the threads of the fitting for thread sealant. If no sealant is present, apply Eaton Thread Sealant #71205 or equivalent.
2. Install the fitting.
3. Inspect the Air Line for burrs or deformed areas. Trim the air line if necessary using a sharp razor blade or the Air Line Cutting Tool from Kit K-2394. The cut must be smooth and square. If the tubing end is deformed or burred, the internal O-Ring in the fitting will be damaged when the Air Line is inserted.
4. Push the Air Line into the fitting. It should insert approximately 3/4". If it does not insert far enough or is difficult to insert, the fitting may be damaged and should be replaced. After inserting, give the Air Line a slight tug to make sure the line stays in place. If line does not stay in place, replace the fitting.
5. Enable the vehicle Air System. Allow the Air Tanks to pressurize, and check for leaks.

## How to Remove Rubber 1/4" Air Hoses

### Special Instructions

For the 1/4" I.D. air Hoses, install the fixed nut end first.

### Special Tools

- Typical Service Tools

### Procedure -

1. Remove all Air Line Brackets and Ties.
2. Remove swivel end.
3. Remove fixed end.



# In-Vehicle Service Procedures

---

## How to Install Rubber 1/4" Air Hoses

### Special Instructions

For the 1/4" I.D. air Hoses, install the fixed nut end first.

### Special Tools

- Typical Service Tools



### Procedure -

1. If necessary, apply Eaton Thread Sealant #71205 or equivalent to threads.
2. Install and tighten fixed end first, then install and tighten swivel end.
3. Replace all Air Line Brackets and Ties.

## How to Remove the Air Filter/Regulator

### Special Instructions

The Air Filter/Regulator has two (2) O-Rings located between the Filter/Regulator and the Auxiliary Section.

### Special Tools

- Typical Service Tools

### Procedure -

1. Remove the Air Lines from the air Filter/Regulator.
2. From the Air Filter/Regulator, remove the two (2) Cap Screws.



# In-Vehicle Service Procedures

---

## How to Install the Air Filter/Regulator

### Special Instructions

The Air Filter/Regulator has two (2) O-Rings located between the Filter/Regulator and the Range Cylinder Cover.

### Special Tools

- Typical Service Tools



### Procedure -

1. Position the Air Filter/Regulator.
2. Apply Eaton Sealant #71205 or equivalent to the two (2) Retaining Cap Screws.
3. Install the two (2) Retaining Cap Screws, torque to 8–12 lb-ft (10.85–16.30 N•m).



## How to Remove a Roadranger Valve

### Special Instructions

**WARNING**

A sudden release of air pressure can injure you or damage equipment. To prevent injury or equipment damage, the Vehicle Air Tanks must be exhausted.

### Special Tools

- Typical Service Tools

### Procedure -

1. From the Roadranger Valve Cover, remove the two (2) Mounting Screws.
2. Slide the Roadranger Valve Cover down.



3. From the Air Fittings, disconnect the Air Lines.



4. From the Roadranger base, loosen the Jam Nut. Rotate the Roadranger Valve until the Valve is removed.
5. Inspect the parts: nut, Valve Cover, Air Lines, sheathing, and O-Rings from the Lever Shaft.
6. In the Roadranger Valve, inspect the Air Fittings, and remove if damaged.



# In-Vehicle Service Procedures

---

## How to Install a Roadranger Valve

### Special Instructions

To position the Roadranger Valve, the Range Lever must be to the front or the Splitter Button to the left when facing forward.

### Special Tools

- Typical Service Tools



### Procedure -

1. Make sure the Nut, Valve Cover, Air Lines, sheathing, and O-Rings are in position on the Lever Shaft.
2. If previously removed, replace the Air Fittings and torque to 84–120 lb-in (9.49–13.56 N•m).
3. Place the Roadranger Valve on the Lever Shaft and rotate so the Range Selector faces the vehicle front.
4. From the Roadranger Valve bottom, torque the Jam Nut to 35–45 lb-ft (47.45–61.01 N•m).
5. Connect the Air Lines to the Air Fittings.
6. Slide the cover into position on the Roadranger Valve.
7. Install the Roadranger Valve Cover mounting screws.

**Note:** Make sure the Air Lines are seated fully.

## How to Remove a Slave Valve

### Special Instructions

**WARNING**

A sudden release of air pressure can injure you or damage equipment. To prevent injury or equipment damage, the Vehicle Air Tanks must be exhausted.

### Special Tools

- Typical Service Tools

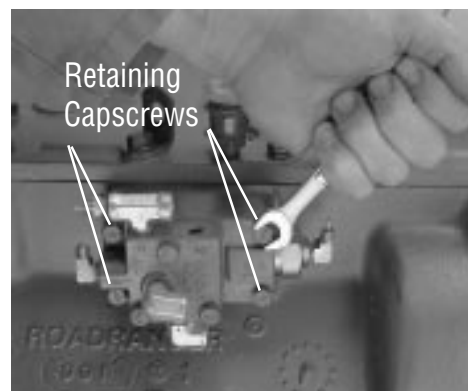
### Procedure -

1. Record or mark Air Line locations.
2. Remove all Air Lines.

**Note:** Remove three 1/4" ID air Hoses at swivel fitting at Range Cylinder location. Remove Air Line Bracket at rear of Transmission. Remove Slave Valve with air Hoses still attached.

3. Remove the Retaining Cap Screws around Valve perimeter.
4. Remove Slave Valve and Gasket.
5. From the Transmission Case, remove the Sleeve, Spring, and Plunger Pin.

6. Inspect the Air Fittings, replace if damaged.



# In-Vehicle Service Procedures

---

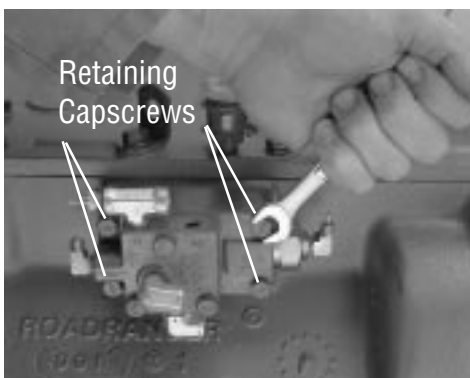
## How to Install a Slave Valve

### Special Instructions

None

### Special Tools

- Typical Service Tools



### Procedure -

1. Clean gasket surface and install Air Fittings.
2. Lightly lubricate and install plunger Pin, Spring, and Sleeve into Case.
3. Install any necessary air Hoses at this time.
4. Install new Gasket.
5. Apply Eaton Sealant #71205 or equivalent to the Retaining Cap Screws.
6. Install the Retaining Cap Screws, torque to 8–12 lb-ft (10.85–16.30 N•m).

**Note:** Make sure the Retaining Cap Screws are properly torqued.

## How to Remove the Top-2 Valve Assembly (Transmissions with Top-2 Option Only)

### Special Instructions

The Air Lines must be depressurized.

### Special Tools

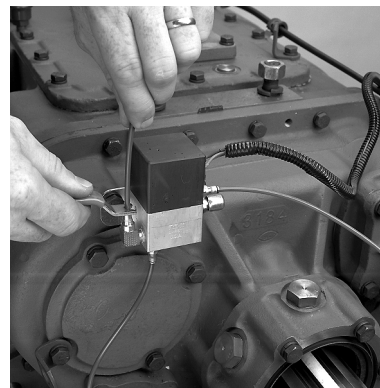
- Typical Service Tools

### Procedure -

1. From the 3-Way Connector, disconnect the Wire Harness.

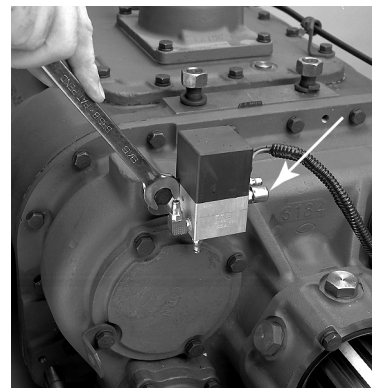


2. From the Air Fittings, disconnect the Air Lines.



3. From the Top-2 Valve Assembly, remove the two (2) Cap Screws.

**Note:** If necessary remove the Exhaust Breather from the Top-2 Valve (arrow indicates location on the Valve).



# In-Vehicle Service Procedures

---

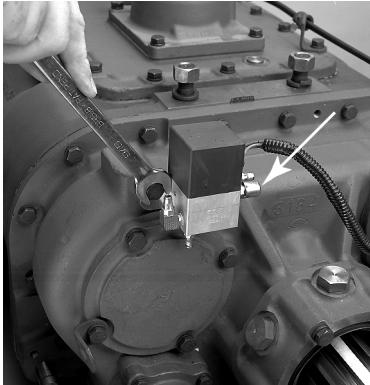
## How to Install the Top-2 Valve Assembly (Transmissions with Top-2 Option Only)

### Special Instructions

The Air Lines must be depressurized.

### Special Tools

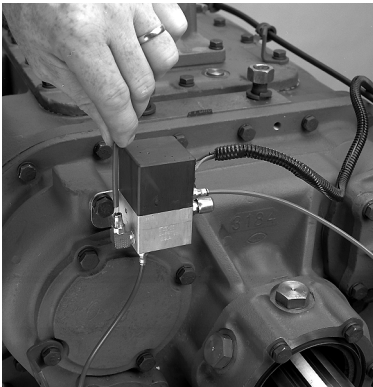
- Typical Service Tools



### Procedure -

1. Install the two (2) Retaining Cap Screws, torque to 35–45 lb-ft (47.45–61.01 N•m).

**Note:** Install the Exhaust Breather on the Top-2 Valve if previously removed (arrow shows location on the Top-2 Valve).



2. Connect the Air Lines to the Air Fittings.

**Note:** Replace any damaged Air Fittings or Lines.



3. Connect the 3-Way Connector to the Harness.

**Note:** Be sure Connector is free from dirt and debris.

## How to Remove the Gear Shift Lever/Remote Shift Control

### Special Instructions

The Air Lines must be disconnected from the Transmission or from the Roadranger Valve.

Different Detent Springs are available to increase or decrease shifting effort. Note and record specific locations for specific springs. In some cases, a stiffer spring is installed in the top rail position.

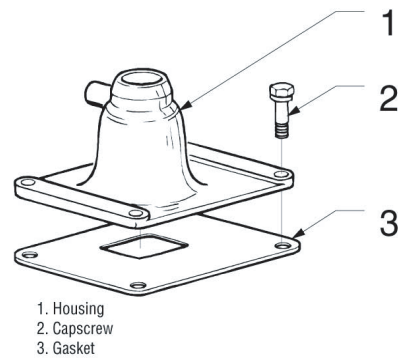
Remote Control Housings are removed the same way as Gear Shift Levers.

### Special Tools

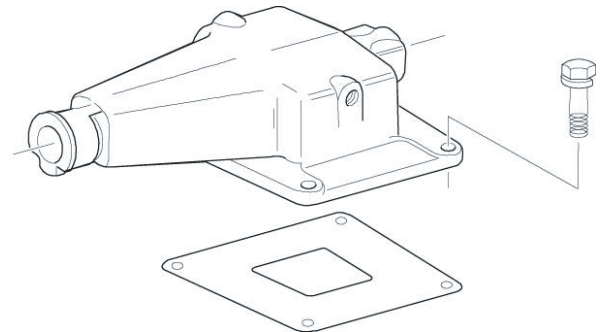
- Typical Service Tools

### Procedure -

1. From the Gear Shift Lever Base/Shift Control Housing, remove the four (4) Retaining Cap Screws.



2. To break the Gasket seal, lightly jar the Gear Shift/Shift Control Housing.



3. Remove the Gear Shift Lever Housing.

**CAUTION**

**Make sure the Detent Springs do not fall into the Transmission.**

4. Remove Detent Springs as needed.
5. Remove the Gasket and clean the area the Replacement Gasket will contact.



# In-Vehicle Service Procedures

## How to Install the Gear Shift Lever/Remote Shift Control

### Special Instructions

Remote Control Housings are installed the same way as Gear Shift Levers.

For Standard and Forward Shift Bar Housings, make sure the Detent Springs and Balls are in the Shift Bar Housing top Bores.

Make sure the Shift Block and Yoke Notches are aligned in the Neutral position.

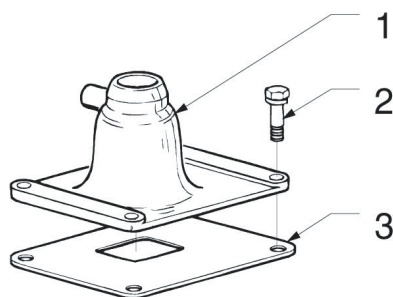
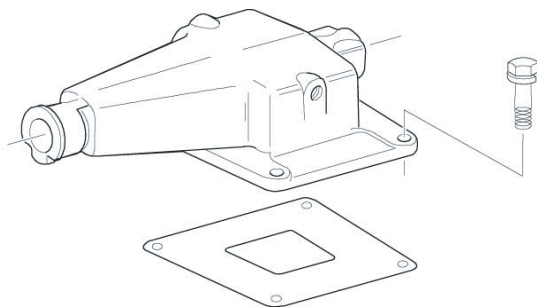
### Special Tools

- Typical Service Tools



### Procedure -

1. Thoroughly clean mounting surface.
2. Position a new Gear Shift Lever/Shift Control Housing Gasket on the Gear Shift Lever mounting surface.
3. Install the Detent Springs.
4. Install the Shift Lever/Shift Control Housing. Make sure the tip (finger) of the Gear Shift Lever fits into the slots in the Shift Block.
5. Apply Eaton Sealant #71205 or equivalent to the Retaining Cap Screws.
6. Install the Retaining Cap Screws, torque to 35–45 lb-ft (47.45–61.01 N•m).



1. Housing
2. Capscrew
3. Gasket

**Note:** Make sure the Cap Screws are properly torqued.

**Note:** Make sure you can shift the Transmission.



## How to Adjust the Remote Shift Control (LRC Type)

### Special Instructions

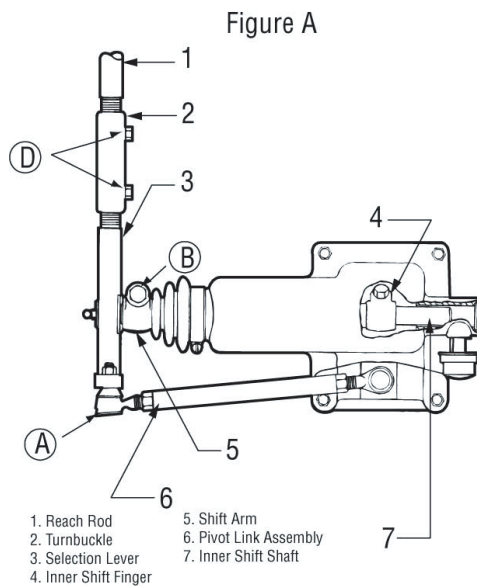
The following is a typical adjustment procedure for an LRC type slave control. It is recommended that the OEM Chassis Service Manual be consulted first.

### Special Tools

- Typical Service Tools

### Procedure -

1. Move the Gear Shift Lever forward or backward to the Neutral position.
2. Move the Gear Shift Lever sideways, toward Reverse, until you feel resistance from the Reverse Plunger Spring. DO NOT shift to Reverse. The Shift Finger must remain in this position while you are making all the adjustments.
3. Remove the Cotter Pin, Castle Nut and Ball Joint A (see figure A) from the Selection Lever. Do not remove the Ball Joint from the Pivot Link.
4. Loosen the Cap Screw B (see figure A) and remove the Shift Arm from the inner Shift Shaft. Do not disconnect the Selection Lever from the Shift Arm.

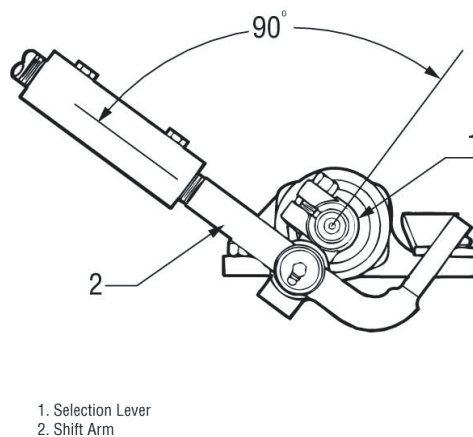


5. Turn the Shift Arm until it is at a right angle (90°) to the Selection Lever as viewed from the side (see figure B).

**Note:** Ideally, the Shift Arm should be adjusted 90° to the Selection Lever as described, but in some Chassis configurations it may be necessary to index the Shift Arm in the vertical position. Indexing the Shift Lever is done to prevent Shift Lever jump out. This type of adjustment will cause an unequal amount of Gear Shift Lever travel between Neutral and a forward lever position as compared to Neutral and a rearward lever position.

6. Install the Shift Arm on the Splines of the inner Shift Shaft. You may have to move the Shift Arm 4° or 5° to align the Splines of the two parts. Disregard any movement of the Gear Shift Lever at this point. The Gear Shift Lever will be adjusted later.

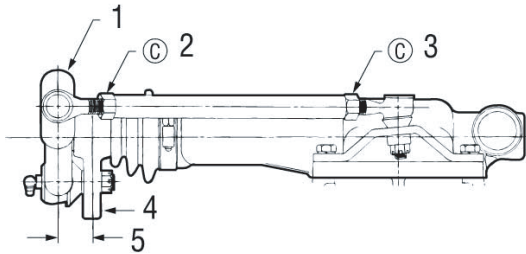
Figure B



# In-Vehicle Service Procedures

---

Figure C



- 1. Selection Lever
- 2. (L.H. Thread)
- 3. (R.H. Thread)
- 4. Shift Arm
- 5. Parallel

7. Tighten the Cap Screw B (see figure A) on the Shift Arm.
8. Connect the Pivot Link assembly Ball Joint to the Selection Lever. Secure it with the Castle Nut and Cotter Pin.
9. Loosen the Jam Nuts C (see figure C) on the Pivot Link.
10. Check to be sure the inner Shift Finger is still in place.
11. Rotate the Pivot Link until the curved end of the Selection Lever is parallel with the Shift Arm as viewed from the rear (see figure C).
12. Tighten the Pivot Link Jam Nuts C (see figure C).
13. Loosen both Cap Screws on the Turnbuckle D (see figure A).
14. Check to be sure inner Shift Finger is still in place.
15. Rotate the Turnbuckle to obtain the proper forward-backward Neutral position of the Gear Shift Lever in the cab.
16. Tighten one Turnbuckle D Cap Screw (see figure A).
17. Move the Gear Shift Lever to the desired position.
18. Turn the second Turnbuckle D Cap Screw.
19. Check for linkage obstructions in all gear positions.

## Neutral Switch Operation and Testing

### Special Instructions

The Neutral Switch is a normally closed switch. An electrical current flows through it when the Transmission Shifter is in the Neutral position. When the Transmission Shifter is in gear, the Switch is open and no current flows through it. Likewise, the Switch is open when the Ball is depressed. The Switch is actuated by the Air Valve Shaft.

### Special Tools

- Typical Service Tools
- Volt/Ohm Meter

### Procedure -

1. Disconnect the wiring from the Switch.
2. Connect an Ohm Meter to check for continuity or a small reading.
3. Place the Transmission Shift Lever in the Neutral position. The Ohm Meter should register continuity or a small reading. If it does, go to the next step. If it does not, remove the Switch and replace it.
4. Shift the Transmission into all gear positions. The Ohm Meter should read Open or Infinity. If it does not, remove the Switch. Then, depress the Switch ball and check for continuity. The Ohm Meter should read Open or Infinity when the Ball is depressed.
5. Look into the Neutral Switch hole and verify that the Air Valve Shaft moves as the Transmission is shifted from Neutral into gear.
  - a. If it does, replace the Switch.
  - b. If not, remove the Shift Bar Housing and check the Air Valve and Shift Rails for excessive wear. Also, check the Slave Valve Plunger and Spring for free movement.

# In-Vehicle Service Procedures

---

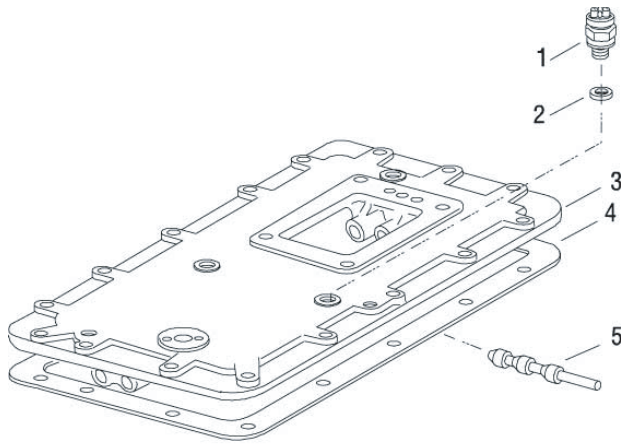
## How to Remove the Neutral Switch

### Special Instructions

None

### Special Tools

- Typical Service Tools



1. Neutral Light Switch
2. Gasket
3. Shift Bar Housing
4. Gasket
5. Air Valve Shaft

### Procedure -

1. Remove 2 screws retaining Wire Terminals.
2. Remove the Switch using a 7/8" Deep Well Socket or Box End Wrench.

## How to Install the Neutral Switch

### Special Instructions

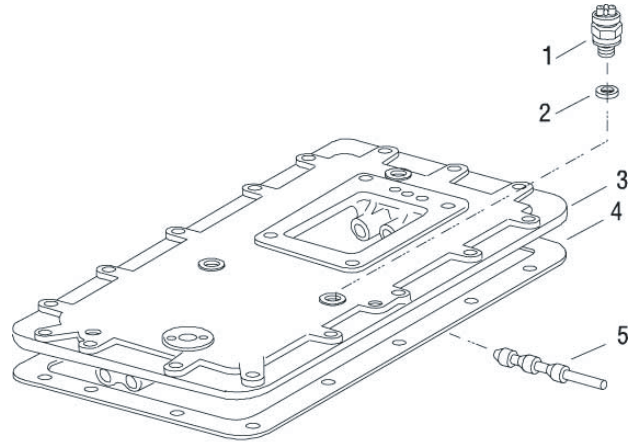
None

### Special Tools

- Typical Service Tools

### Procedure -

1. Install a new Gasket.
2. Install the Neutral Switch, torque to 15–20 lb-ft (20.34–27.12 N•m).
3. Connect the wiring to the Switch.



1. Neutral Light Switch
2. Gasket
3. Shift Bar Housing
4. Gasket
5. Air Valve Shaft

# In-Vehicle Service Procedures

---

## Reverse Switch Operation and Testing

### Special Instructions

The Reverse Switch is a normally open Ball Switch. When the Transmission is shifted into Reverse, a Ramp on the Reverse Yoke Bar contacts and raises a Pin. The Pin depresses the Ball on the Switch, which closes the Switch Contact, allowing current to flow through the Switch and light up the vehicle's backup lights.

### Special Tools

- Typical Service Tools
- Volt/Ohm Meter

### Procedure -

1. Disconnect the wiring from the Switch.
2. Connect an Ohm Meter to check for continuity.
3. Place the Transmission Shift Lever in any position except Reverse. If the Switch is working properly, the Ohm Meter should read Open or Infinity. If it is not, remove the Switch and recheck it for continuity. Replace as necessary.
4. Place the Transmission Shift Lever in the Reverse position. If the Switch is working properly, the Ohm Meter should register continuity, or a small reading. If it does not, remove the Switch and recheck it for continuity. Replace it as necessary. Also, check for sticking or excessive wear of the Reverse Pin.

## How to Remove the Reverse Switch

### Special Instructions

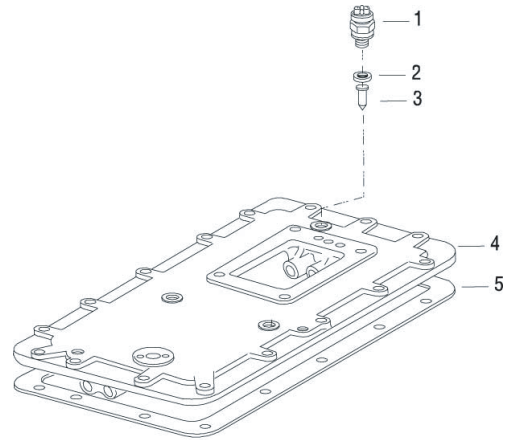
None

### Special Tools

- Typical Service Tools

### Procedure -

1. Remove 2 screws retaining wire terminals.
2. Remove the switch using a 7/8" Deep Well Socket or Box End Wrench.



1. Reverse Light Switch
2. Gasket
3. Pin
4. Shift Bar Housing
5. Gasket

# In-Vehicle Service Procedures

---

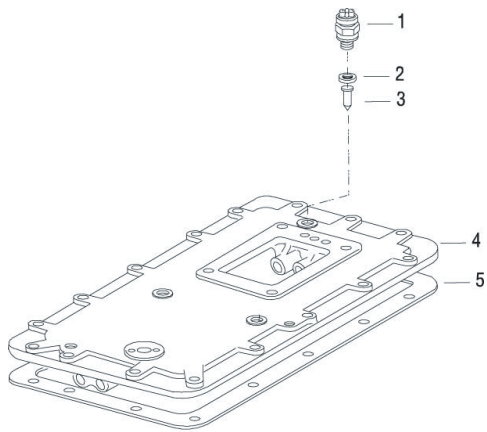
## How to Install the Reverse Switch

### Special Instructions

None

### Special Tools

- Typical Service Tools



1. Reverse Light Switch
2. Gasket
3. Pin
4. Shift Bar Housing
5. Gasket

### Procedure -

1. Insert the Reverse Pin in the Reverse Switch Bore.
2. Install new Gasket on Switch.
3. Install the Reverse Switch, torque to 15–20 lb-ft (20.34–27.12 N•m).
4. Connect the wiring to the Switch.



## How to Remove the Shift Bar Housing

### Special Instructions

Before removing the Shift Bar Housing, the Air Lines must be disconnected.

For models equipped with an Oil Pump and/or Cooler Assemblies, make sure to disconnect the Oil Line connected to the Shift Bar Housing.

There are three (3) sizes of Cap Screws. The 1 1/2" Cap Screws are used with the Lifting Eyes. The 1 1/4" are used on all other locations except the left front corner at the Roll Pin location. This Cap Screw is 1 3/4".

Be careful when removing the Shift Bar Housing to prevent damaging the Oil Tube with the Shift Yokes.

### Special Tools

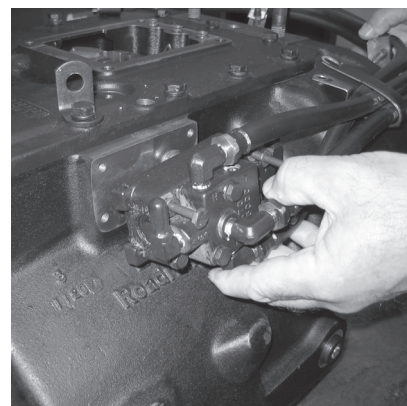
- Typical Service Tools

### Procedure -

1. From the Shift Bar Housing, remove the two Retaining Cap Screws securing the Oil Cooler. Remove Oil Cooler and set aside.



2. Remove Slave Valve.



# In-Vehicle Service Procedures

---



3. Remove Interlock parts (Pin, Spring, and Sleeve).



4. From the Shift Bar Housing rim, remove the Retaining Cap Screws.

5. To break the Gasket seal, jar the Shift Bar Housing.



6. Remove the Shift Bar Housing.

7. Inspect the Roll Pin, replace if damaged.

8. Remove the Gasket and clean all mounting surfaces of gasket material.



9. If the three (3) sets of Tension Springs and Balls from the Housing top Bores are loose, tilt the Assembly and remove them.

## How to Install the Shift Bar Housing

### Special Instructions

There are three (3) sizes of Cap Screws. The 1 1/2" Cap Screws are used with the Lifting Eyes. The 1 1/4" are used on all other locations except the left front corner at the Roll Pin. This Cap Screw is 1 3/4".

Be careful when removing the Shift Bar Housing to prevent damaging the Oil Tube with the Shift Yokes.

The Slave Valve and Interlock parts must be removed prior to installing the Shift Bar Housing.

### Special Tools

- Typical Service Tools

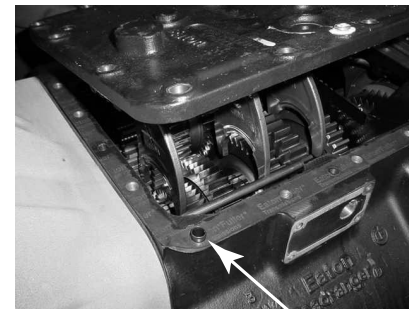
### Procedure -

1. Place the Shift Bar Housing and Shift Blocks in the Neutral position.
2. Place the Mainshaft Sliding Clutches in the Neutral position.
3. Position a new Shift Bar Housing gasket on the Shift Bar Housing mounting surface.

**Note:** The Slave Valve and Interlock Assembly must remain off, until the Shift Bar Housing is installed, to avoid damaging the Interlock Pin.

4. As you install the Shift Bar Housing, make sure the Yokes fit into the corresponding Sliding Clutch slots and the Housing aligns with the Roll Pin.

5. Apply Eaton® Sealant #71205 or equivalent to the Retaining Cap Screws. Torque the Cap Screws to 35–45 lb-ft (47.45–61.01 N•m).

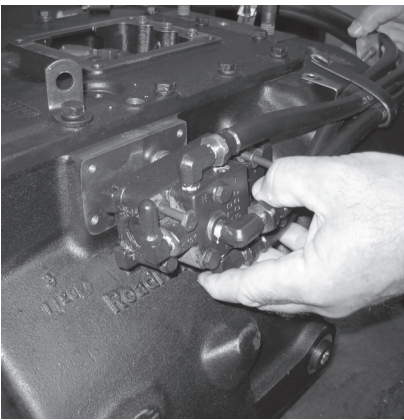


# In-Vehicle Service Procedures

---



6. Install Interlock parts (Pin, Spring and Sleeve).



7. Install Slave Valve. Apply Loctite 242 to Cap Screw threads and torque to 8–12 lb-ft (10.85–16.30 N•m).

## How to Remove the Oil Seal - Mechanical Speedometer

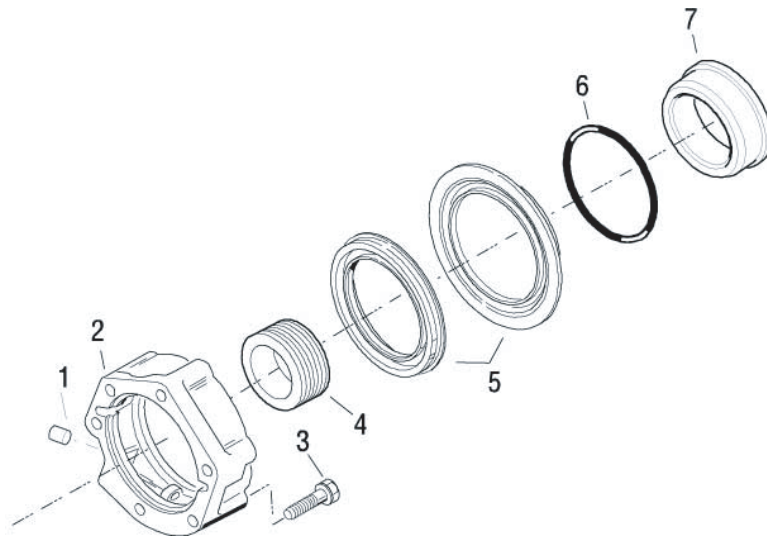
### Special Instructions

Prior to replacing the Seal, carefully inspect the Transmission to make sure the oil leakage is coming from the Seal. Pay particular attention to the Speedometer parts, the Rear Bearing Cover gasket surfaces, Rear Countershaft Bearing Covers, and Shift Bar Housing.

For additional information on Rear Seal service, refer to the Seal Maintenance Service Brochure TRSM0912.

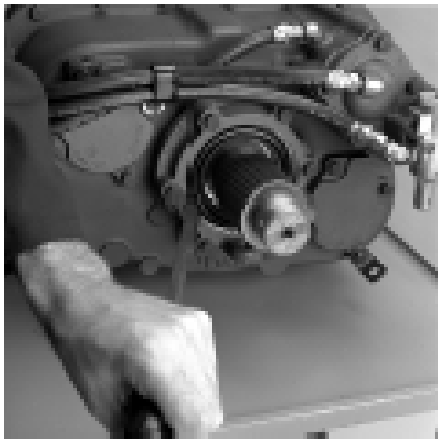
### Special Tools

- Output Yoke Puller
- RR1010TR Slide Hammer
- RR1011TR-1 Slide Hammer Attachment



- 1. Bushing
- 2. Rear Bearing Cover Assembly
- 3. Cap Screw
- 4. Speedometer Drive Gear

- 5. Oil Seal with Slinger
- 6. O-Ring
- 7. Speedometer Spacer Assembly



## Procedure -

1. Disconnect the Driveshaft and U-joint from the Output Yoke according to the OEM or Driveshaft Manufacturer's instructions.
2. Shift the Transmission into 1st Gear or Low Gear (Low Range) to prevent the Output Yoke from turning when you loosen the Output Shaft Nut.
3. Remove the Output Shaft Nut using a 70 mm or 2 3/4" socket. See "How to Remove Output Yoke/Companion Flange".
4. Remove the Output Yoke. If necessary, use an Output Yoke Puller.

5. Remove the Seal sleeve.
6. Use RR1010TR Slide Hammer and RR1011-1 Attachment to remove the Seal. Or remove Output Bearing Cover and drive Seal out from front side.

**Note:** The Seal will be damaged during removal and must be replaced.

7. Remove Seal Slinger from the Output Yoke using a Brass Drift and Hammer.
8. Inspect all parts of the Seal surface for wear, scratches, burrs, or other damage.

**Note:** Replace the Seal surface if it is worn or damaged. Do not attempt to salvage the Seal mating surface with Crocus Cloth, filing, etc.

## How to Install the Oil Seal - Mechanical Speedometer

### Special Instructions

 CAUTION

To prevent oil leaks, do not touch the seal lip, and make sure the Seal Driver is clean.

### Special Tools

- RR1001TR-2 Output Seal Driver
- RR1001TR-4 Output Seal Slinger Driver

### Procedure -

1. The Seal will be damaged during removal and must be replaced.
2. Place a Seal on the RR1001TR-2 Output Seal Driver, and drive the new Seal into the Rear Bearing Cover.
3. Install the new Slinger on the Output Yoke using the RR1001TR-4 Output Seal Slinger Driver.
4. Install the Output Yoke over the Output Shaft. The Yoke should slide on when the Splines are lined up. If it does not, clean the Splines with solvent, and oil them lightly.
5. Install the Output Nut and torque to 650–700 lb-ft (881.28–949.07 N•m).
6. Connect the Driveshaft and U-joint according to the OEM or Driveshaft Manufacturer's instructions.



# In-Vehicle Service Procedures

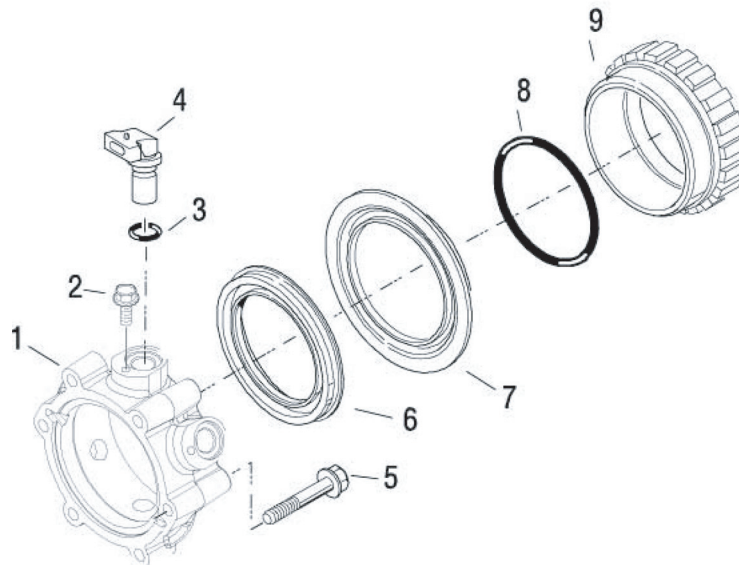
---

## How to Remove the Oil Seal - Magnetic Speedometer

### Special Instructions

Prior to replacing the Seal, carefully inspect the Transmission to make sure the oil leakage is coming from the Seal. Pay particular attention to the Speedometer parts, the Rear Bearing Cover gasket surfaces, Rear Countershaft Bearing Covers, and Shift Bar Housing.

### Special Tools



- 1. Rear Bearing Cover
- 2. Sensor Retaining Cap Screw
- 3. O-Ring
- 4. Speedometer Sensor
- 5. Cap Screw

- 6. Oil Seal
- 7. Slinger
- 8. O-Ring
- 9. Speedometer Spacer Assembly



## Procedure -

1. Disconnect the Driveshaft and U-joint from the Output Yoke according to the OEM or Driveshaft Manufacturer's Instructions.
2. Shift the Transmission into 1st Gear or Low Gear (Low Range) to prevent the Output Yoke from turning when you loosen the Output Shaft Nut.
3. Remove the Output Shaft Nut using a 70 mm or 2 3/4" socket.
4. Remove the Output Yoke. If necessary, use an Output Yoke Puller. See "How to Remove the Output Yoke/ Companion Flange."
5. Remove the Speedometer Sensors from the Rear Bearing Cover.

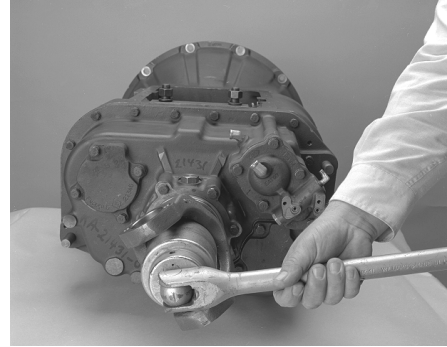
**Note:** If the Sensor is a thread in type, note the number of threads expose so the Sensor can be reinstalled to the same depth. If the Sensor is a push in type, remove the hold down Cap Screw and pull the Sensor out of the Bore.

6. Remove the Speedometer Rotor/Seal Sleeve and the O-Ring.
7. Pry the Seal out using a large Screwdriver or Pry Bar in the metal groove of the Seal.

**Note:** The Seal will be damaged during removal and must be replaced.

8. Remove Seal Slinger from the Speedometer Rotor/Seal Sleeve using a Brass Drift and Hammer.
9. Inspect all parts of the Seal surface for wear, scratches, burrs, or other damage.

**Note:** Replace the Seal surface if it is worn or damaged. Do not attempt to salvage the Seal mating surface with Crocus Cloth, filing, etc.



# In-Vehicle Service Procedures

---

## How to Install the Oil Seal - Magnetic Speedometer

### Special Instructions

### Special Tools

- RR1001TR-2 Output Seal Driver
- RR1001TR-8 Seal Driver Insert
- RR1001TR-1 Seal Slinger Driver



### Procedure -

1. Using the RR1001TR-2 Seal Driver and RR1001TR-8 Seal Driver Insert, drive the new Seal into the Rear Bearing Cover. The Seal is fully installed when the Flange on the Seal is flush with the shoulder in the Bore.



2. Install the new Slinger on Speedometer Rotor/Seal Sleeve using the RR1001TR-1 Slinger Driver.



3. If previously removed, install the O-Ring over the Output Shaft.

**Note:** To avoid creating oil leaks, make sure the Speedometer Rotor/Seal Sleeve is free from contaminants.

4. Install the Speedometer Rotor/Seal Sleeve over the Output Shaft, and install the Speedometer Sensors.
5. Install the Output Yoke over the Output Shaft. The Yoke should slide on an stop before contacting the Speedometer Rotor. As the Output Shaft Nut is installed, the Output Yoke will contact the Speedometer Rotor.
6. Install the Output Nut and torque to 650–700 lb-ft (881.28–949.07 N•m).
7. Connect the Driveshaft and U-joint according to the OEM or Driveshaft Manufacturer's instructions.

# In-Vehicle Service Procedures

---

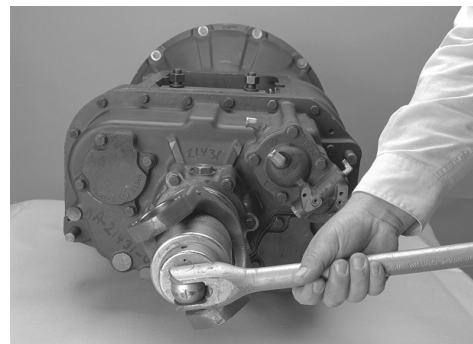
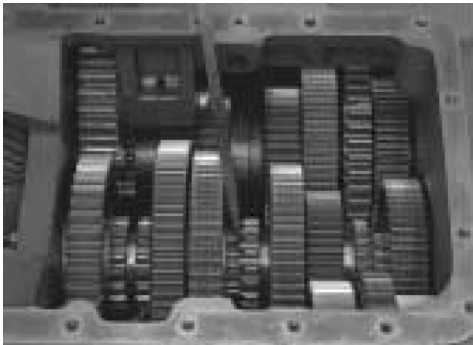
## How to Remove the Output Yoke/Companion Flange and Nut

### Special Instructions

After removal of the Output Yoke/Companion Flange, temporarily replace the Output Shaft Nut to protect the Output Shaft threads during Auxiliary Section disassembly.

### Special Tools

- A large Breaker Bar or Air Impact Wrench



### Procedure -

1. Engage two (2) Mainshaft Sliding Clutches into two (2) Mainshaft Gears to lock the Transmission or use a Yoke Holding Tool if available.
2. Use a large Breaker Bar or Air Impact Wrench to remove the Output Shaft Nut.
3. Remove the Output Yoke.

## How to Install the Output Yoke/Companion Flange and Nut

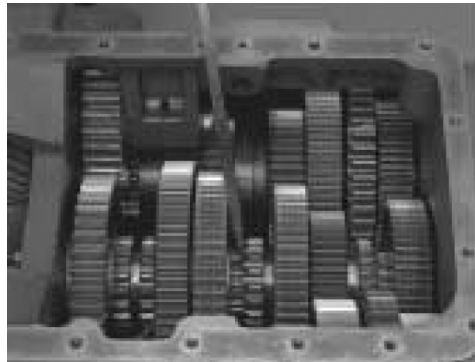
### Special Instructions

### Special Tools

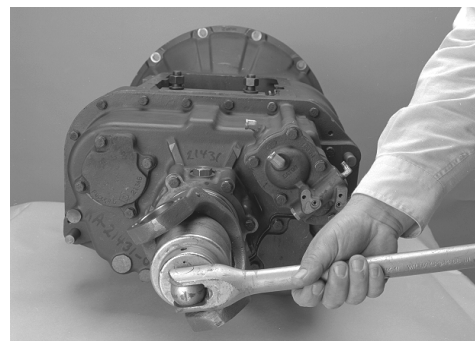
- Torque Wrench with 0–700 lb-ft capacity

### Procedure -

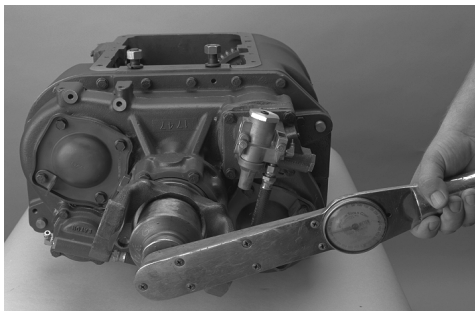
1. Engage two (2) Mainshaft Sliding Clutches into two (2) Mainshaft Gears to lock the Transmission, or use a Yoke Holding Tool if available.
2. Install the Speedometer Drive Gear Rotor or Replacement Spacer on the Output Shaft inside the Rear Bearing Cover.
3. If the Slinger on the Yoke is damaged, replace using a Slinger/Seal Kit.



4. Install the Output Yoke over the Output Shaft. The Yoke should slide on and stop before contacting the Speedometer Rotor. As the Output Shaft Nut is installed, the Output Yoke will contact the Speedometer Rotor.



5. Install the Output Shaft Nut, tighten to 650–700 lb-ft (881.28–949.07 N•m) of torque.
6. Make sure the Output Shaft Nut is properly torqued and unlock the Transmission, or remove the Yoke Holding Tool.



# In-Vehicle Service Procedures

---

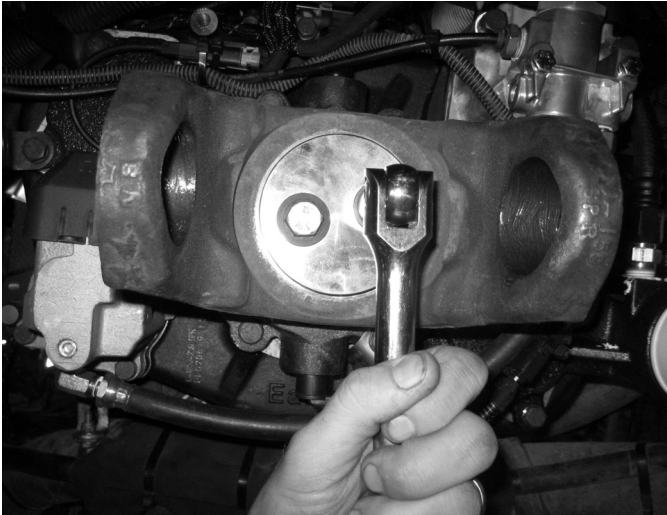
## How to Remove the Output Yoke / Flange and Retaining Cap Screws

### Special Instructions

None

### Special Tools

- Typical Service Tools



### Procedure -

1. Remove Drive Shaft from the Transmission. Reference OEM removal guidelines.
2. Remove the End Yoke Retaining Cap Screws and Washer from Auxiliary Mainshaft.
3. Remove the End Yoke/Flange.

## How to Install the Output Yoke / Flange and Retaining Cap Screws

### Special Instructions

### Special Tools

- Typical Service Tools

### Procedure -

1. Install End Yoke, Retaining Washer, and Cap Screws. Apply Eaton/Fuller #71205 Liquid Thread Sealant to Cap Screws and then snug each Cap Screw to 35 lbs. ft. [47 N·m.]
2. Fully tighten both Retaining Cap Screws to specified torque rating 74–81 lbs. ft. [100–110 N·m.]

**Note:** This fastening design employs Spirallock™ threads. A conventional metric thread Pitch Tap cannot be used for thread restoration on this product.

**WARNING**

Use only Eaton/Fuller #71205 Liquid Thread Sealant or liquid equivalent on the Yoke Retaining Cap Screws. Do not use any type of thread locking tape on the End Yoke Retaining Cap Screws. This may cause the Cap Screws threads to strip and cause the End Yoke to loosen.

3. Reinstall Driveshaft per OEM guidelines.



# In-Vehicle Service Procedures

---

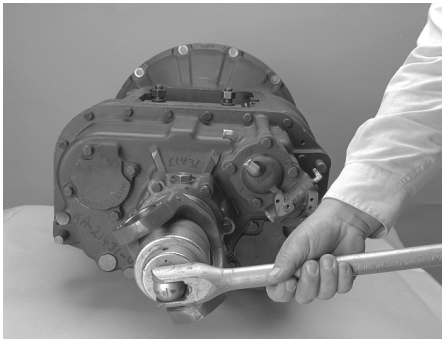
## How to Remove the Auxiliary Section in Chassis

### Special Instructions

None

### Special Tools

- RR1002TR Auxiliary Countershaft Support Straps
- RR1006TR Auxiliary Section Lifting Bracket



### Procedure -

1. Drain the Transmission Oil.
2. Disconnect the Driveshaft and U-joint from the Output Yoke.
3. If the Auxiliary Section is to be disassembled, remove the Output Nut. To prevent the Output Shaft from rotating while removing the Nut, shift the Transmission into 1st Gear.
4. Disconnect the vehicle air supply line from the Filter Regulator Assembly.
5. Mark the locations and disconnect the large rubber Air Lines. Move the lines aside.
6. Label and remove the small Air Lines.
7. Remove the four (4) Cap Screws and the Auxiliary Countershaft Rear Bearing Cover, Gasket, and Rear Bearing Shim.
8. Install RR1002TR Auxiliary Countershaft Support Straps.  
**Note:** Do not use an Air Gun. Tighten by hand until the Cap Screws are snug.
9. Drive the two Dowel Pins forward, and remove them.



10. Remove all but one Cap Screw that secure the Auxiliary Section to the Main Section. Leave one Cap Screw to secure the Housing until it is ready to be removed.

**Note:** Cap Screws are different lengths. Note their locations for reassembly purposes.

**⚠ WARNING**

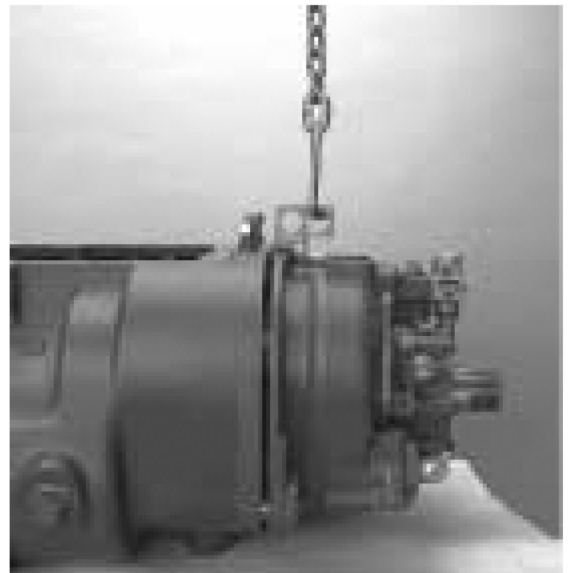
**Use the proper equipment with safety chains attached to remove the Auxiliary Section. The Auxiliary Section can slide rearward and could fall, causing you serious injury and/or damage to the Auxiliary Section.**

11. Attach a Chain and Lifting Device to the Auxiliary Section Hanger (figure A), or attach the Support Jack to the Auxiliary Section (figure B).
12. With the Support Device in position, remove the remaining Cap Screw. If necessary, 3 Cap Screws can be installed into the three threaded holes in the Auxiliary Section Flange. When threaded in they will push the Auxiliary Section rearward. Clean the holes of rust, paint, and other debris by threading a 3/8-16 Tap into each hole. Thread each Cap Screw in evenly to prevent damage to the Auxiliary Housing.

**⚠ CAUTION**

**The weight of the Auxiliary Section must be supported during removal to avoid damage to internal Transmission parts.**

13. Support the weight of the Auxiliary Section with a Lifting Device or Support Jack and move the Auxiliary Section rearward until it is free from the Front Section of the Transmission.



# In-Vehicle Service Procedures

---

## How to Install the Auxiliary Section in Chassis

### Special Instructions

None

### Special Tools

- RR1002TR Auxiliary Countershaft Support Straps



### Procedure -

1. Install the RR1002TR Auxiliary Countershaft Support Straps to center and hold the Countershafts in position. Install a 3/8"-16 X 2 1/2" long Cap Screw into Countershaft center.
2. Install the Output Yoke and Nut, torque the Nut to 650–700 lb-ft (881.28–949.07 N•m).

**Note:** To prevent the Output Shaft from rotating while installing the Nut, place a clean shop rag in the gear mesh.

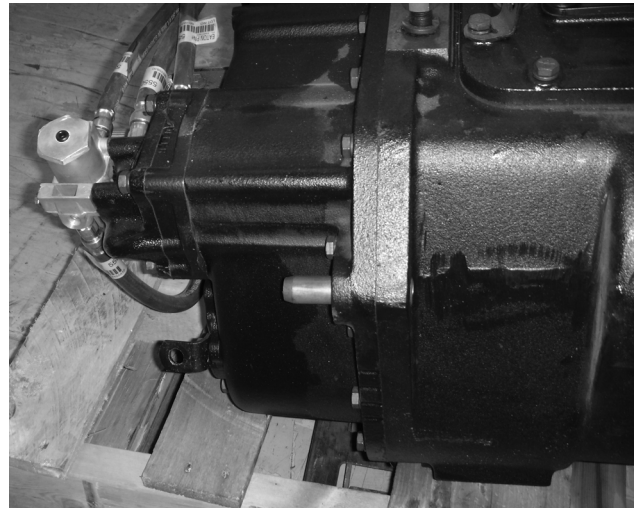
**Note:** Due to Chassis interference, it may not be possible to install the Yoke at this step. However, the Output Shaft must be drawn fully into position to prevent it from sagging when the Auxiliary Section is installed in the Chassis. If the Chassis causes interference, the Yoke can be temporarily installed to draw up the Output Shaft and then removed before the Auxiliary Section is installed.

3. Use Crocus Cloth or a Wire Wheel to clean rust and paint from the Dowel Pins before installing them.

### ⚠ CAUTION

**If the Dowel Pins are not installed in the Main Case to the proper depth, the Auxiliary Section will not properly align with the Main Case and Bearing or Synchronizer failure may occur.**

4. Install the Dowel Pins into the Main Case so that 3/8"-1/2" of the shoulder is exposed or Pin is flush with front of Case rear.
5. Clean all rust and paint from the Dowel Pin holes in the Auxiliary Section Housing, and lightly grease the Dowel Pins on the Main Case and the Dowel Pin holes on the Auxiliary Section Housing.
6. Make sure the Auxiliary Section is in Low Range. If not, blow shop air (max 100 PSI) into the Low Range Supply Port to shift the Range Synchronizer to Low. If necessary, make sure the Deep Reduction Clutch is engaged into gear.
7. Position the Gasket onto the Main Case mounting surface.
8. Mount the Auxiliary Section on the Lifting Device or Jack.
9. Tighten the center Cap Screw on the Countershaft Support Tools to draw the Countershafts into a level position. Do not overtighten the Cap Screws. The Output Yoke and Shaft must be able to rotate.
10. Position the Auxiliary Section in line with the Main Case, and slide the Housing onto the Dowel Pins. Mesh the Countershafts with the Auxiliary Drive Gear. Rotate the Output Yoke and Shaft slightly to help the gears mesh and slide the Auxiliary Section forward until it is flush with the Main Section.



**CAUTION**

**The Auxiliary Section should slide into place fairly easily. DO NOT force it on or pull it into place with the Cap Screws. Excessive force may damage the Transmission. If excessive force is necessary, the gearing is likely out of time.**

11. If the Auxiliary Section does not install fully, slide it back and check the following:
  - a. The Output Yoke and Nut should be installed to pull back and center the Auxiliary Mainshaft Assembly.
  - b. The Countershaft Support Tool center Cap Screw should be snug to level the Countershafts.
  - c. The Dowel Pins and Auxiliary Housing mating holes should be clean and well oiled.
  - d. The internal gearing on the Auxiliary Section must have been properly timed during reassembly.

# In-Vehicle Service Procedures

---

12. Apply Eaton® Thread Sealant #71205 or equivalent to all the Retaining Cap Screw threads. Install the Cap Screws to secure the Auxiliary Section to the Main Case, torque to 40–45 lb-ft (54.23–61.01 N•m).
13. If the Countershaft, Countershaft Bearings, or Auxiliary Housing have been replaced, or if the Countershafts, Bearings, or Shims were not marked and reassembled in the same location, the Bearing endplay must be checked and set by shimming. Shim the Countershaft Bearings using “Shim Procedure without a Shim Tool”.
14. If shimming is not required, remove the Support Tools, and install the proper Shim, Gasket, and Countershaft Bearing Cover. Secure the Bearing Covers with the Cap Screws. Install sealer. Apply Loctite 242 to Cap Screw threads and torque to 40–45 lb-ft (54.23–61.01 N•m).
15. Connect all removed air Hoses and lines. Use Eaton® Fuller® Thread Sealant #71205 or equivalent as necessary.
16. Connect the Driveshaft and U-joint, and refill the Transmission with the recommended lubricant. For lubrication instructions refer to the “Lubrication and Maintenance” section.

## How to Remove the Splitter Cylinder Assembly

### Special Instructions

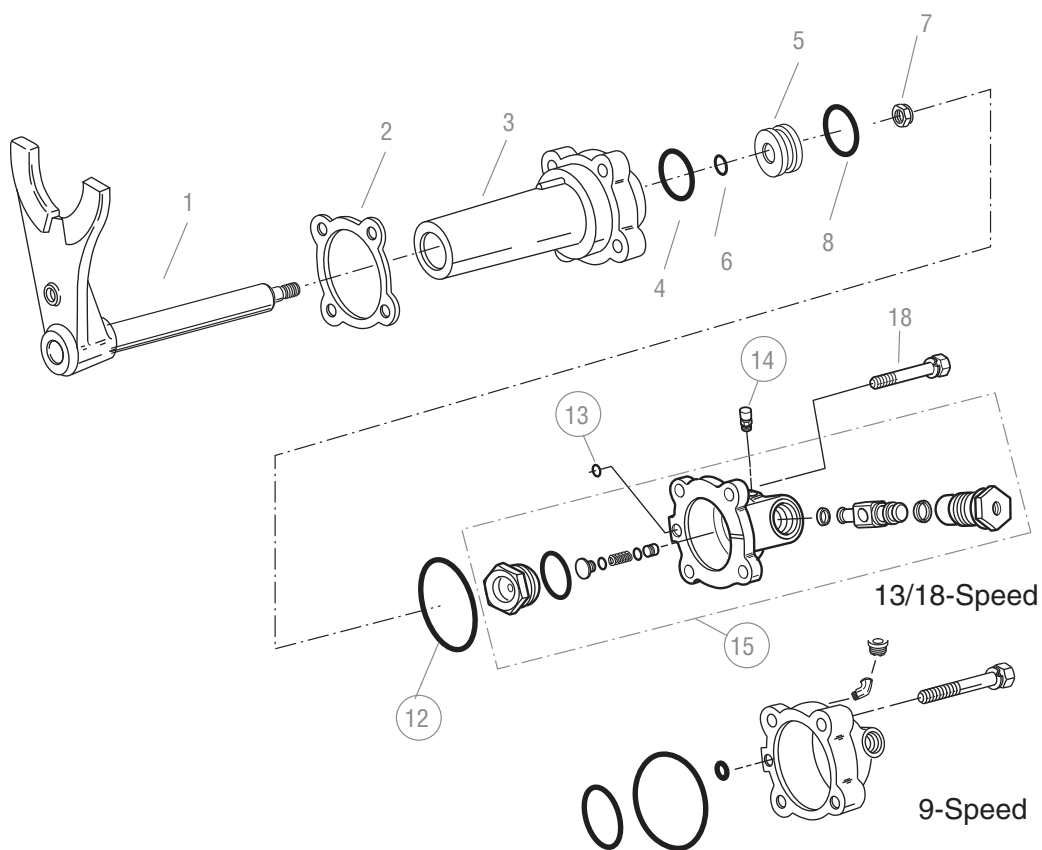
**Note:** On 9-Series and Super 10 Transmissions, it is necessary to R&R the Auxiliary Section prior to Range Cylinder removal. Damage to internal components will result if Auxiliary Section is not properly removed prior to Cylinder removal.

**Note:** When replacing just the O-Rings in the Splitter Cylinder, removal of the Auxiliary Section is not necessary.

When removing the Splitter Cylinder Cover Insert Valve, note the direction the Insert Valve was positioned (nipple in or out).

### Special Tools

- Typical Service Tools

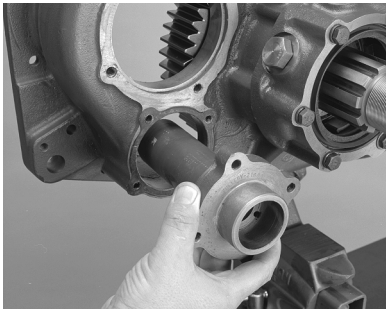
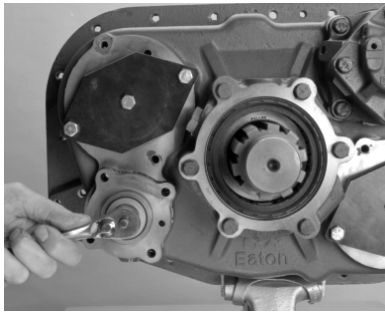
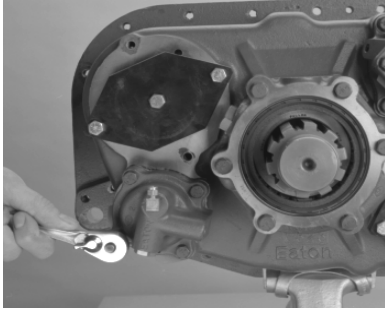


1. Splitter Yoke Assembly
2. Gasket
3. Splitter Cylinder
4. O-Ring
5. Piston
6. O-Ring
7. Nut

8. O-Ring
12. O-Ring
13. O-Ring
14. Breather
15. Splitter Valve Replacement Kit
18. Cap Screw

# In-Vehicle Service Procedures

---



*Old Style Insert Valve*



*New Style Spool Valve*



## Procedure -

1. Drain lube.
2. From the Splitter Cylinder Cover, remove the Retaining Cap Screws.
3. Remove the Cover and Gasket or O-Ring (new design, aluminum cover).
4. Remove the 3/4" Nut on the Splitter Yoke Bar.
5. From the Auxiliary rear, remove the Splitter Cylinder Housing.
6. If necessary, turn out the Insert Valve Retaining Nut and remove Insert Valve from Bore (only present on old style 13-18 Speed).
7. If Spool Valve needs to be replaced it must be done as an entire unit which is part of the Splitter Cover.

**Note:** New 13/18 Speeds Splitter Covers contain a Spool Valve that is replaced as a unit.

## How to Install Splitter Cylinder Assembly

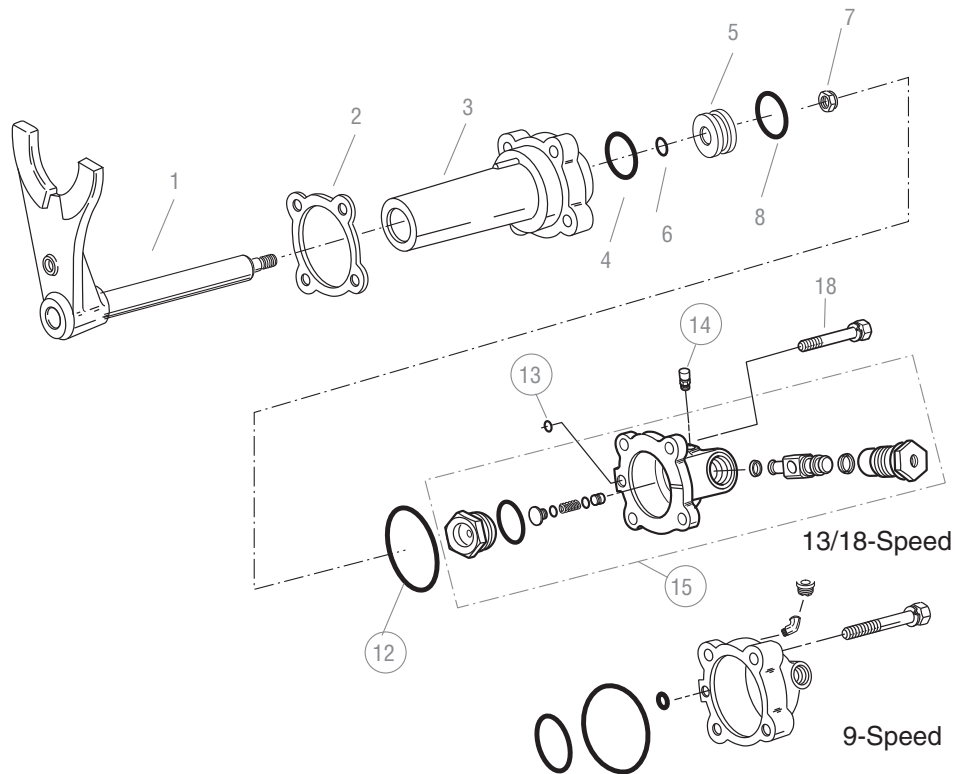
### Special Instructions

Apply Eaton® Lubricant #71214 or equivalent to all Shift Cylinder Assembly and Spool Valve O-Rings so a film covers the entire surface of each O-Ring.

Apply Eaton® rust preventative #71213 or equivalent to all Shift Cylinder walls and Yoke Bars and cover the entire Yoke Bar surface that comes in contact with the Shift Cylinder O-Ring.

### Special Tools

- Typical Service Tools
- Vise with brass jaws or wood blocks



1. Splitter Yoke Assembly
2. Gasket
3. Splitter Cylinder
4. O-Ring
5. Piston
6. O-Ring
7. Nut

8. O-Ring
12. O-Ring
13. O-Ring
14. Breather
15. Splitter Valve Replacement Kit
18. Cap Screw

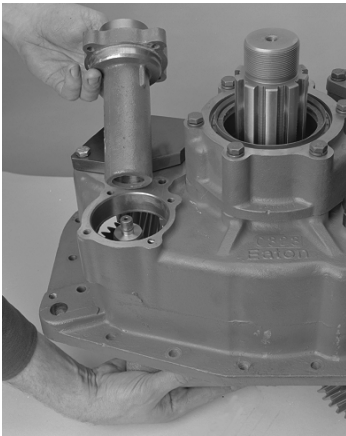
# In-Vehicle Service Procedures

---

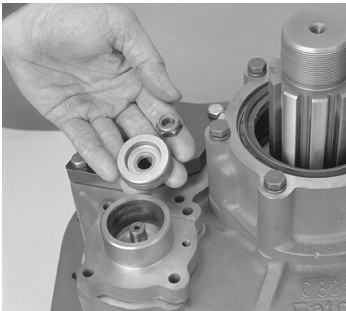


## Procedure -

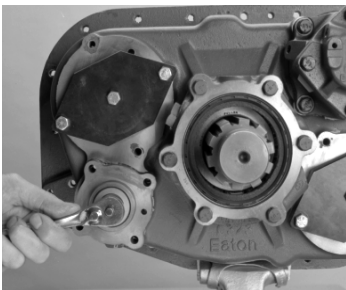
1. If previously removed, in the Cylinder Housing Bore, install the small O-Ring.
2. If previously removed, on the Piston O.D., install the Piston O-Ring.



3. Position a new gasket on the Cylinder Housing mounting surface.
4. With the air passage towards the Rear Bearing Cover, install the Cylinder Housing.
5. Inside the Cylinder Housing, over the Yoke Bar end, install the O-Ring.



6. With the recessed side up, install the Splitter Cylinder Piston.



7. Install the 3/4" Lock Nut. Tighten the Lock Nut to 30–36 lb-ft (41–49 N•m) of torque.



8. Position a new Gasket or O-Ring (new design, aluminum cover) on the Cylinder Housing Cover mounting surface. The Gasket air passage must align with the Housing air passage.
9. Position the Splitter Cylinder Cover over the Gasket or O-Ring (new design, aluminum cover).
10. New style Splitter Covers contain a Spool Valve, which must be replaced as a unit with the entire Cover. Old style Splitter Covers contain a separate Insert Valve that can be removed from the bottom of the Splitter Cover.
11. Apply Eaton® Fuller® Sealant #71205 or equivalent to the Retaining Cap Screws.
12. Install and torque the Retaining Cap Screws to 20–25 lb-ft (27.12–33.90 N•m).
13. Refill Transmission with lube to the proper level.

**Note:** Make sure the Retaining Nut and Cap Screws are tightened to the proper torque.

**Note:** Make sure Gaskets are used at appropriate positions.



# In-Vehicle Service Procedures

---

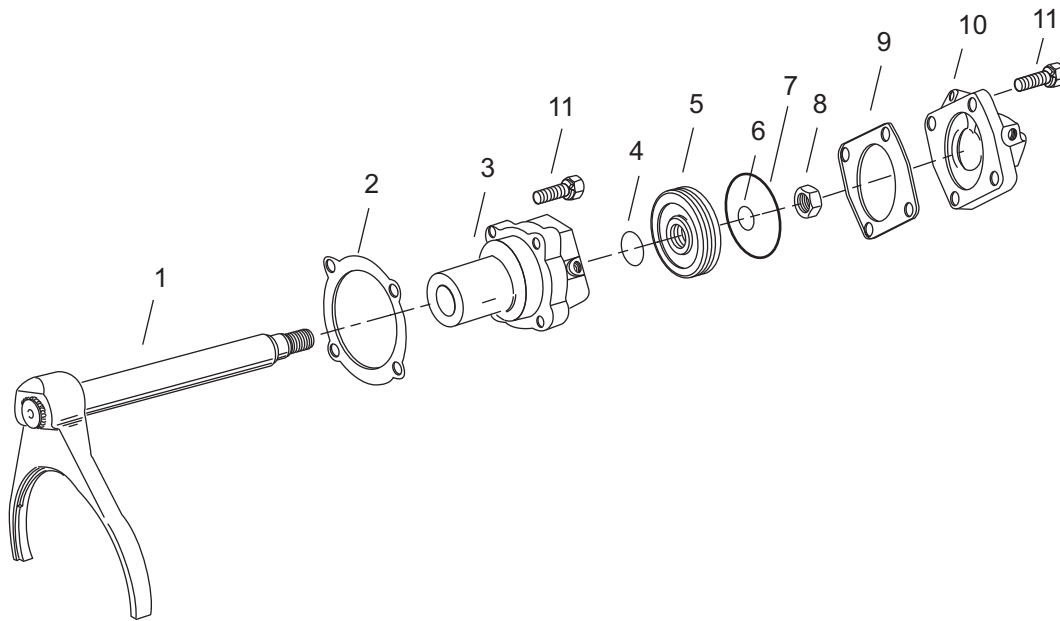
## How to Disassemble the Range Cylinder Assembly - 7 Series

### Special Instructions

None

### Special Tools

- Typical Service Tools



1. Shift Yoke Assembly
2. Gasket
3. Range Cylinder
4. O-Ring
5. Piston
6. O-Ring

7. O-Ring
8. Nut
9. Gasket
10. Cover
11. Cap Screw

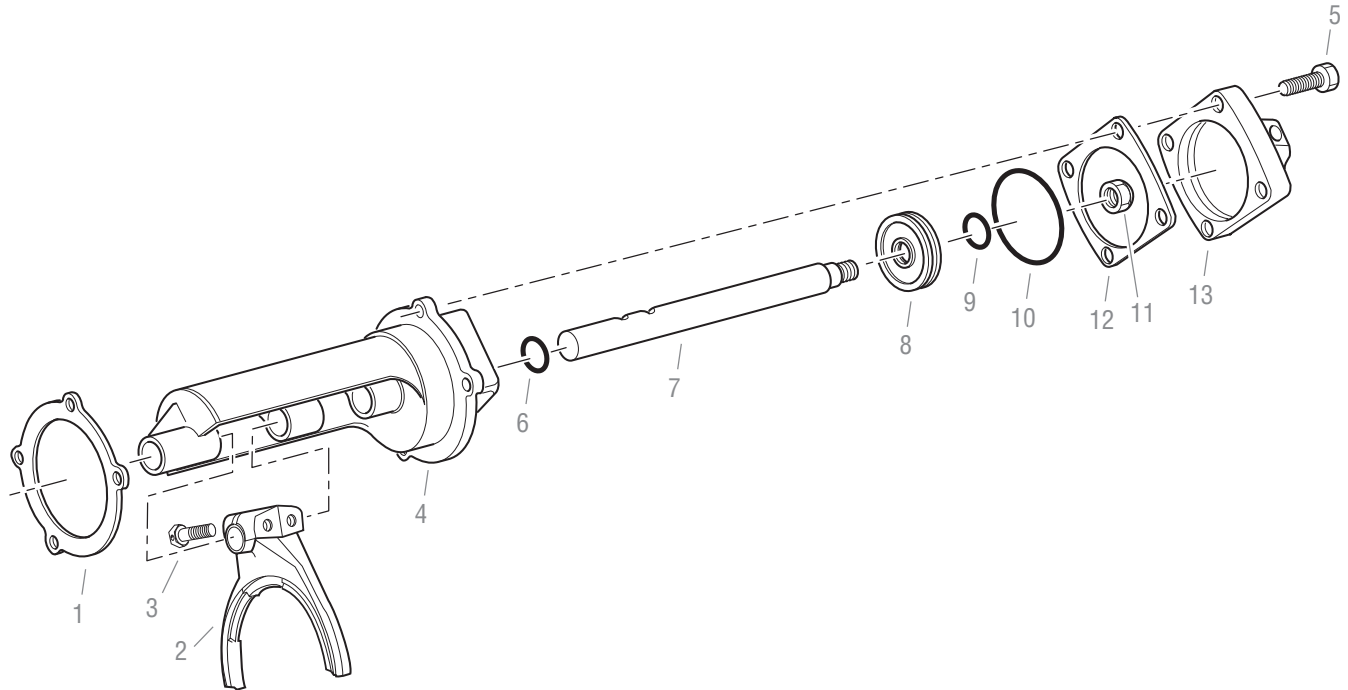
## How to Disassemble the Range Cylinder Assembly - 9 Series

### Special Instructions

For RTLO-XX9XX (9 Series), remove the Auxiliary Section before disassembling the Range Cylinder. See instructions for Removing Auxiliary Section on page 114.

### Special Tools

- Typical Service Tools

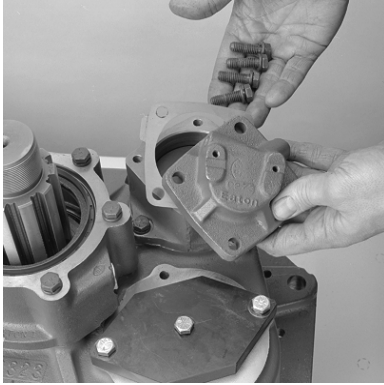


1. Gasket
2. Shift Yoke
3. Bolt
4. Range Cylinder Assembly
5. Cap Screw
6. O-Ring
7. Yoke Bar

8. Piston
9. O-Ring
10. O-Ring
11. Nut
12. Gasket
13. Cover

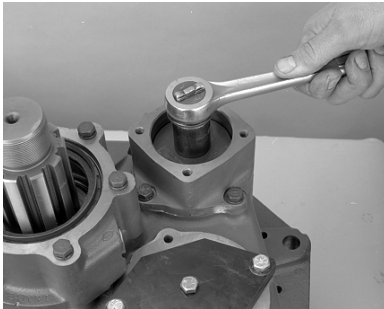
# In-Vehicle Service Procedures

---



## Procedure -

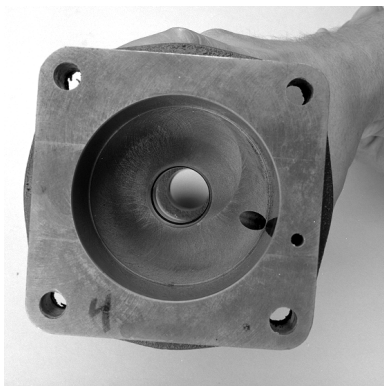
1. From the Range Cylinder Cover, remove the Cap Screws, Cover, and Gasket.
2. Clean the Gasket mounting surfaces of all gasket material.



3. From the Range Cylinder Housing Bore, remove the 15/16" nut.



4. From the Cylinder Housing Bore, remove the Range Piston.
5. Inspect the Range Piston O-Rings, remove if damaged.



6. Remove the Cap Screws and Range Cylinder Housing.
7. Clean the Gasket mounting surfaces of all gasket material.
8. Inspect the O-Ring inside the Range Cylinder Housing Bore, remove if damaged.

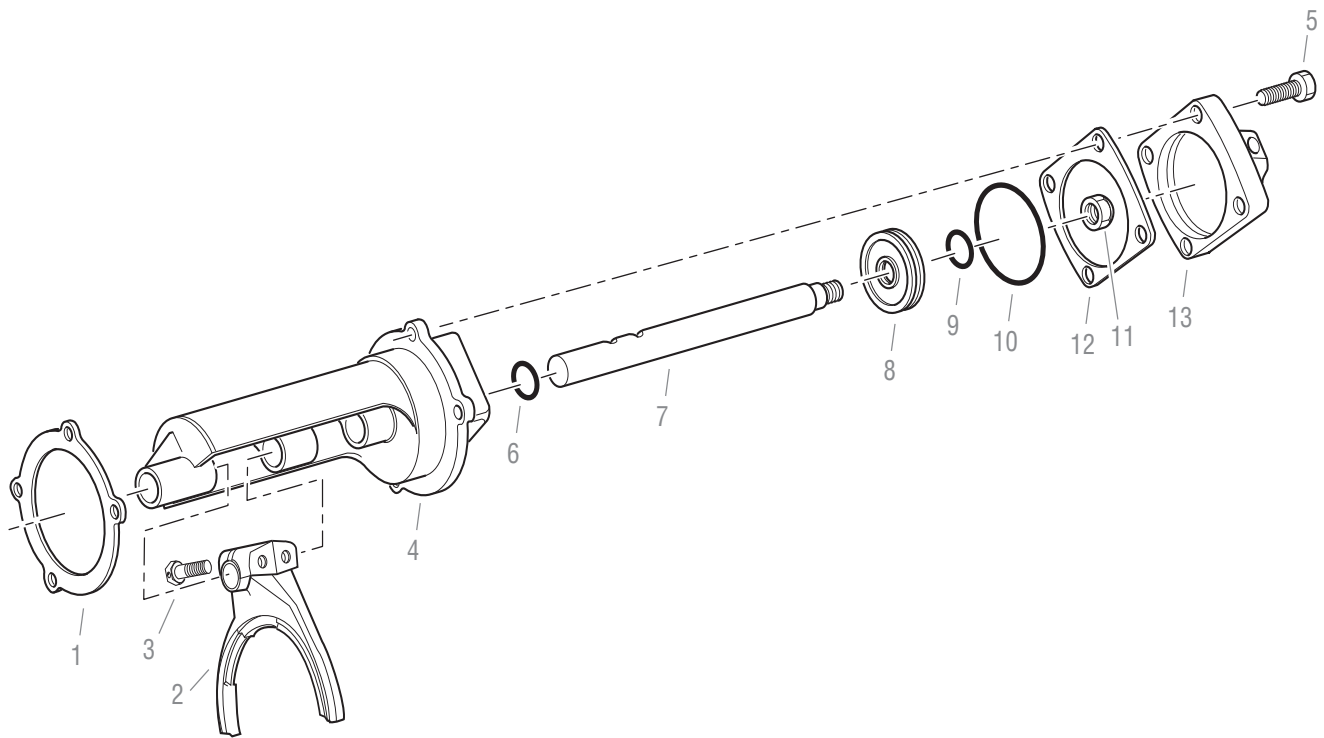
## How to Assemble the Range Cylinder Assembly

### Special Instructions

Apply Eaton® Lubricant #71214 or equivalent to Shift Cylinder Assembly and Insert Valve O-Rings so a film covers the entire surface of each O-Ring.

### Special Tools

- Typical Service Tools

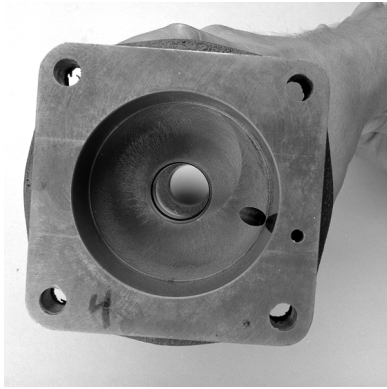


- 1. Gasket
- 2. Shift Yoke
- 3. Bolt
- 4. Range Cylinder Assembly
- 5. Cap Screw
- 6. O-Ring
- 7. Yoke Bar

- 8. Piston
- 9. O-Ring
- 10. O-Ring
- 11. Nut
- 12. Gasket
- 13. Cover

# In-Vehicle Service Procedures

---

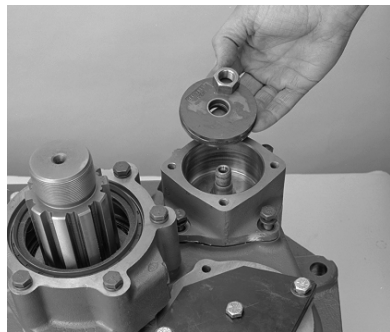


## Procedure -

1. If previously removed, in the Cylinder Housing Bore, install the small O-Ring.

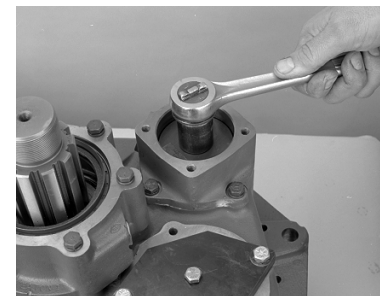


2. If previously removed, on the Piston I.D. and O.D., install the Piston O-Rings.



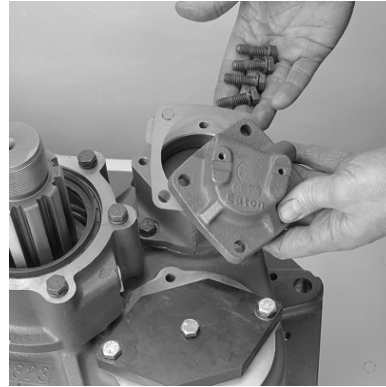
3. Position a new Gasket on the Range Cylinder Housing mounting surface.
4. Install the Cylinder Housing.
5. Apply Eaton® Fuller® Sealant #71205 or equivalent to the Retaining Cap Screw threads.
6. Install the Cap Screws, torque to 20–25 lb-ft (27.12–33.90 N•m).

7. Lean Auxiliary Section back with Range Cylinder upward.
8. Insert the Piston. Push it in as far as it will go.



9. Secure the Piston with the Retaining Nut, torque to 70–85 lb-ft (94.91–115.24 N•m).

10. Position a new Gasket on the Cylinder Housing Cover mounting surface.
11. Over the gasket, position the Range Cylinder Cover.
12. Apply Eaton® Fuller® Sealant #71205 or equivalent to the Retaining Cap Screw threads.
13. Install the Cap Screws, torque to 20–25 lb-ft (27.12–33.90 N•m).



# Transmission Overhaul Procedures - Bench Service

## How to Disassemble the Gear Shift Lever

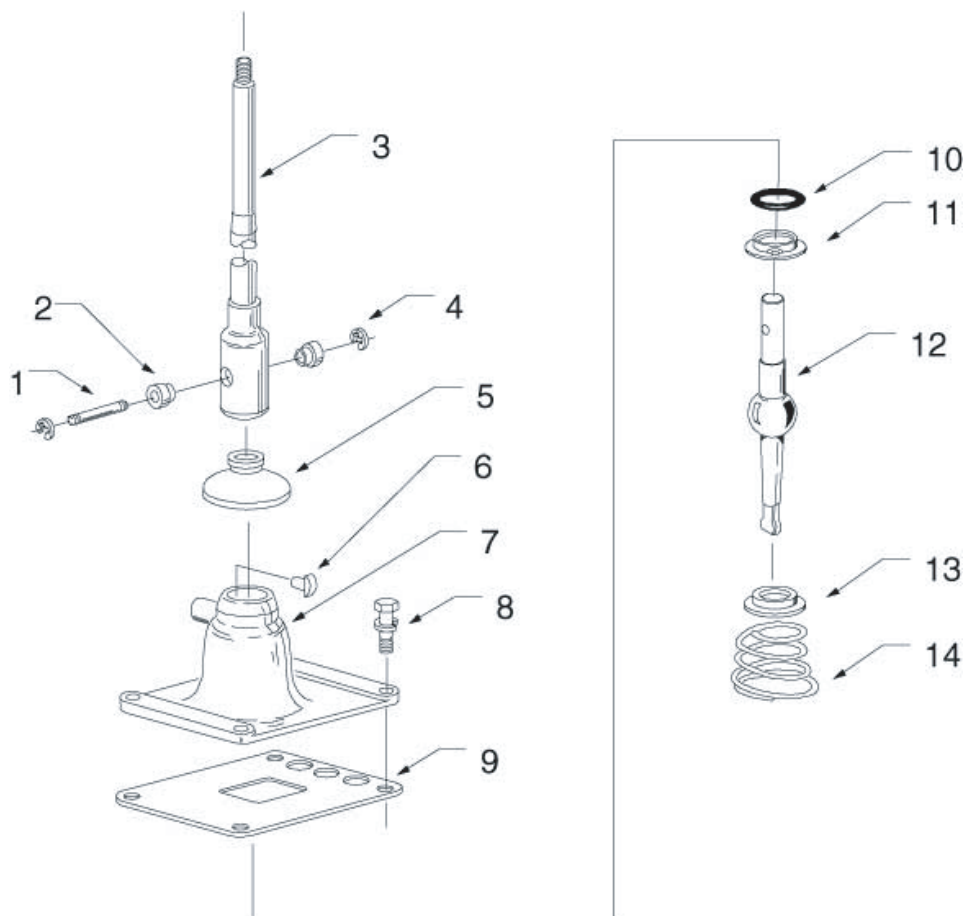
### Special Instructions

If total disassembly is needed, the Roadranger® Valve, must be removed first.

Release the Spring one coil at a time.

### Special Tools

- Vice with brass jaws or wood blocks



- 1. Pin
- 2. Bushing
- 3. Upper Lever
- 4. Snap Ring
- 5. Rubber Boot
- 6. Spade Pin
- 7. Housing

- 8. Cap Screw
- 9. Gasket
- 10. O-Ring
- 11. Washer
- 12. Lower Lever
- 13. Stepped Washer
- 14. Tension Spring



# Transmission Overhaul Procedures - Bench Service

## Procedure -

1. On a Non-Isolated Shift Lever, remove the Roadranger® Valve using the “How to Remove the Roadranger® Valve” instructions in In-Vehicle Service Procedures. If the Shift Lever is equipped with a Lever Isolator, remove the Snap Ring, Bushing, and Cross Pin to disconnect and remove the upper Lever.
2. Slide the rubber Boot up and off the Shift Lever Shaft.
3. With Housing bottom facing up, secure the Assembly in a Vise.
4. Use large Screwdriver to twist between the Spring and Housing, forcing the Spring from under the Housing Lugs one coil at a time.
5. From inside the Housing Tower, remove the Tension Spring, washer, and Gear Shift Lever.
6. In models so equipped, from the Housing Bore, remove the Nut and Washer.
7. From the Housing Tower Spade Pin Bore, remove and inspect the Spade Pin, discard if damaged.
8. From the Housing Tower inside groove, inspect the O-Ring, discard if damaged.



# Transmission Overhaul Procedures - Bench Service

## How to Assemble the Gear Shift Lever

### Special Instructions

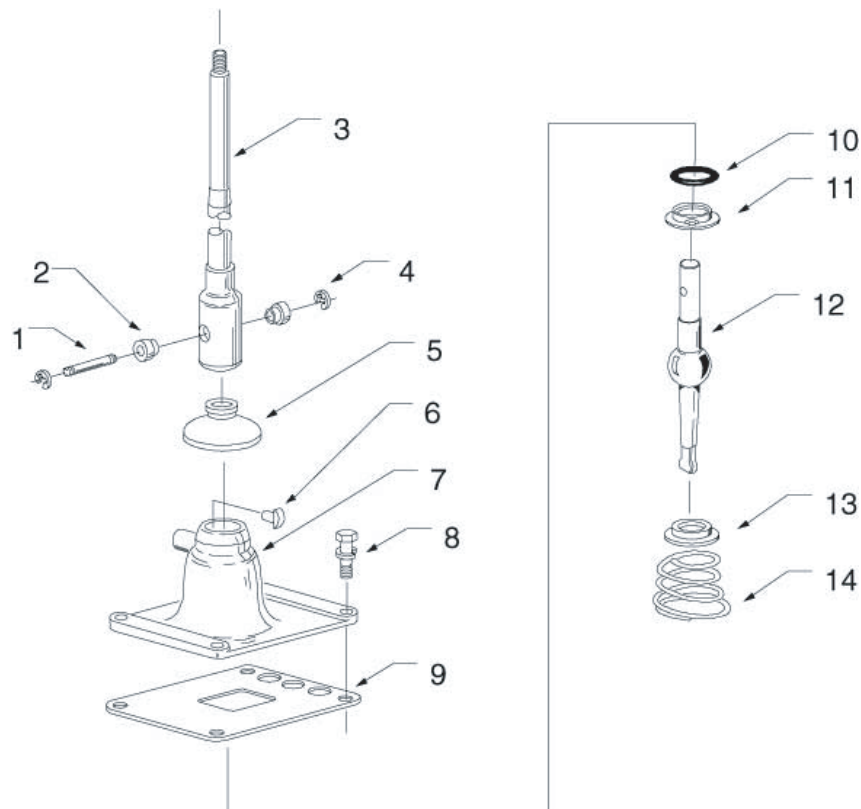
Inspect Tension Spring and Washer for wear.

Apply Eaton® rust preventative Lubricant #71212 or equivalent to the Shift Lever Pivot Ball. A rust preventative lubricant film should cover all surfaces between and including the Pivot Ball.

Seat the Tension Spring one coil at a time.

### Special Tools

- Vise with brass jaws or wood blocks



- 1. Pin
- 2. Bushing
- 3. Upper Lever
- 4. Snap Ring
- 5. Rubber Boot
- 6. Spade Pin
- 7. Housing

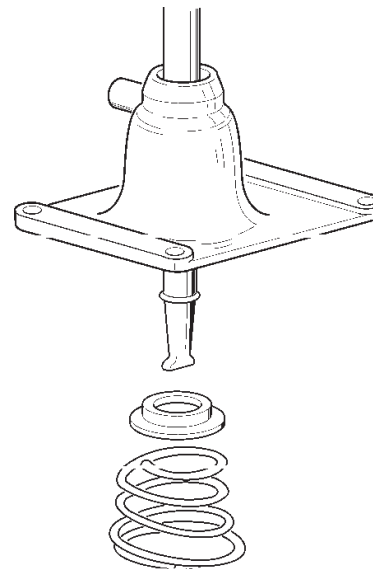
- 8. Cap Screw
- 9. Gasket
- 10. O-Ring
- 11. Washer
- 12. Lower Lever
- 13. Stepped Washer
- 14. Tension Spring

# Transmission Overhaul Procedures - Bench Service

## Procedure -

1. With Housing bottom facing up, secure the Assembly in a Vise.
2. If the Spade Pin is damaged, replace and install the Spade Pin, in Housing Tower Bore.
3. In models so equipped, install the Nut and Washer in the Housing Bore.
4. If the O-Ring is damaged, replace; lubricate the O-Ring with Eaton® Fuller® Lubricant #71206 or equivalent. Install the O-Ring in the Housing Tower inside groove.
5. Align the Lever Ball slot with the Spade Pin and position the Gear Shift Lever in the Housing Tower.
6. With dished-side up, install the Washer over the Ball.
7. Using a large Screwdriver or Pry Bar, install the Tension Spring under the Housing Lugs.
8. Remove the Assembly from the Vise.
9. Install a rubber Boot over the Gear Shift Lever and against the Housing.

**Note:** Make sure the Gear Shift Lever can move.



# Transmission Overhaul Procedures - Bench Service

---

## How to Remove the Shift Bar Housing

### Special Instructions

Before removing the Shift Bar Housing, the Air Lines must be disconnected.

For models equipped with an Oil Pump and/or Cooler Assemblies, make sure to disconnect the oil line connected to the Shift Bar Housing.

There are three (3) sizes of Cap Screws. The 1 1/2" Cap Screws are used with the Lifting Eyes. The 1 1/4" are used on all other locations except the left front corner at the Roll Pin location. This Cap Screw is 1 3/4".

Be careful when removing the Shift Bar Housing to prevent damaging the Oil Tube with the Shift Yokes.

### Special Tools

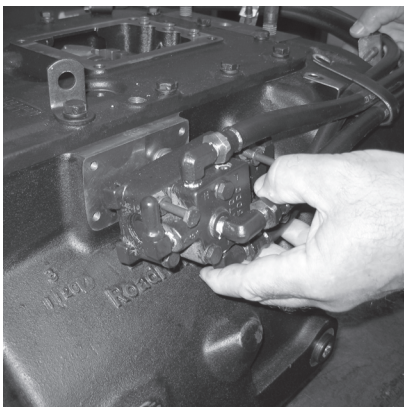
- Typical Service Tools

### Procedure -

1. From the Shift Bar Housing, remove the two Shift Bar Retaining Cap Screws securing the Oil Cooler. Remove Oil Cooler and set aside.



2. Remove Slave Valve.



# Transmission Overhaul Procedures - Bench Service

3. Remove Interlock parts (Pin, Spring, and Sleeve).



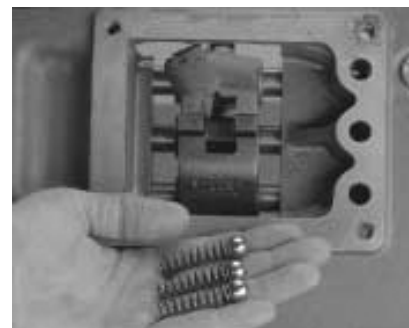
4. From the Shift Bar Housing rim, remove the Retaining Cap Screws.
5. To break the Gasket seal, jar the Shift Bar Housing.



6. Remove the Shift Bar Housing.
7. Inspect the Roll Pin, replace if damaged.
8. Remove the Gasket and clean all mounting surfaces of gasket material.



9. If the three (3) sets of Tension Springs and Balls from the Housing top Bores are loose, tilt the Assembly and remove them.



# Transmission Overhaul Procedures - Bench Service

---

## How to Install the Shift Bar Housing

### Special Instructions

There are three (3) sizes of Cap Screws. The 1 1/2" Cap Screws are used with the Lifting Eyes. The 1 1/4" are used on all other locations except the left front corner at the Roll Pin location. This Cap Screw is 1 3/4".

Be careful when removing the Shift Bar Housing to prevent damaging the Oil Tube with the Shift Yokes.

The Slave Valve and Interlock parts must be removed prior to installing the Shift Bar Housing.

### Special Tools

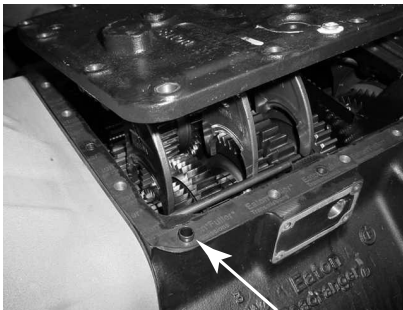
- Typical Service Tools



### Procedure -

1. Place the Shift Bar Housing and Shift Blocks in the Neutral position.
2. Place the Mainshaft Sliding Clutches in the Neutral position.
3. Position a new Shift Bar Housing Gasket on the Shift Bar Housing mounting surface.

**Note:** The Slave Valve and Interlock Assembly must remain off, until the Shift Bar Housing is installed, to avoid damaging the Interlock Pin.



4. As you install the Shift Bar Housing, make sure the Yokes fit into the corresponding Sliding Clutch slots and the Housing aligns with the Roll Pin.



5. Apply Eaton® Fuller® Sealant #71205 or equivalent to the Retaining Cap Screw threads.

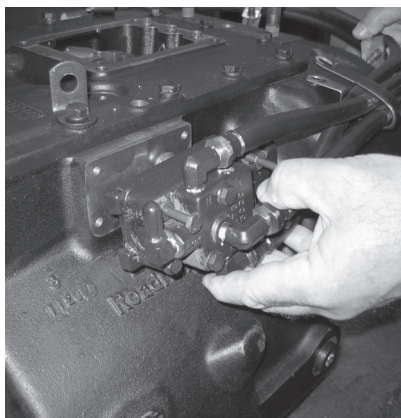
# Transmission Overhaul Procedures - Bench Service

---

6. Install Interlock parts (Pin, Spring and Sleeve).



7. Install Slave Valve and tighten to specifications.



# Transmission Overhaul Procedures - Bench Service

---

## How to Disassemble the Standard Shift Bar Housing

### Special Instructions

The Shift Bar Housing must be removed from the Transmission.

During disassembly, lay all parts on a clean bench in order of removal to facilitate assembly.

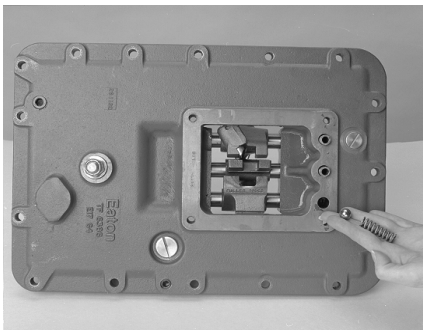
Shift Bars not being removed must be kept in the Neutral position or the interlocking parts lock the Bars.

Start with the bottom Shift Bar.

Cut the Lockwire and remove the Lock Screws from each Bar just before their removal.

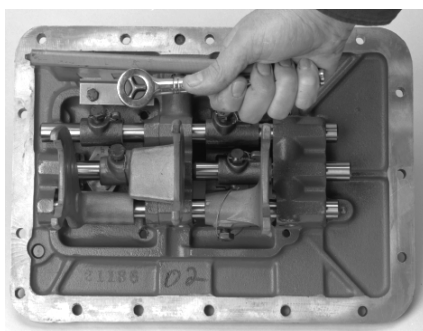
### Special Tools

- Typical Service Tools



### Procedure -

1. If the three (3) sets of Tension Springs and Balls from Housing Bores have not been removed, place the Shift Bar Housing on its side to remove them.

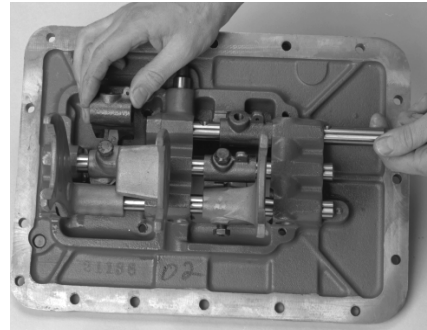


2. Remove the Oil Trough Retaining Cap Screws and Oil Trough. (Some models do not have an Oil Trough.)
3. With the Housing rear to the right, lay the Assembly on a flat surface.

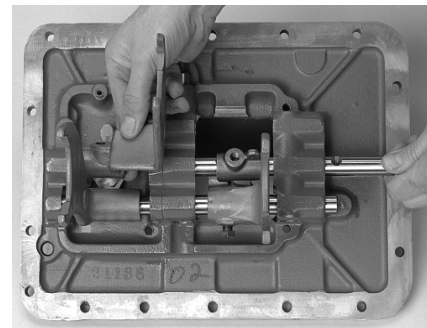


# Transmission Overhaul Procedures - Bench Service

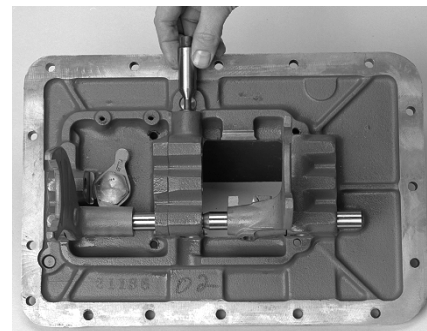
4. While removing the top Yoke Bar to the right, remove the two (2) Shift Blocks.



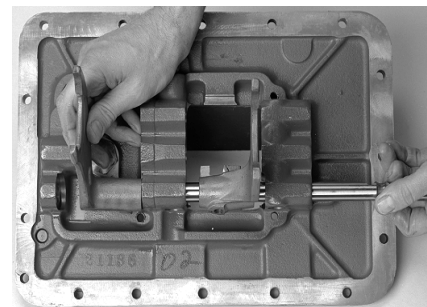
5. From the middle Yoke Bar, remove the Shift Yoke and Shift Block. As the Neutral Notch in the Bar clears the Rear Boss, remove the small Interlock Pin from the Notch Bore.



6. Remove the Actuating Plunger from the top center Boss Bore.

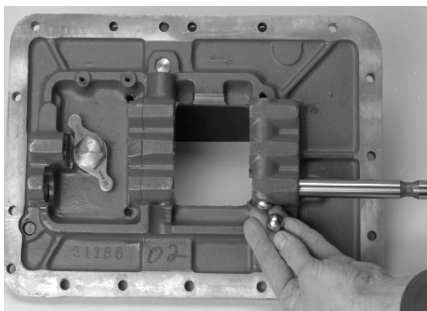


7. From the bottom Yoke Bar, remove the two (2) Shift Yokes.



# Transmission Overhaul Procedures - Bench Service

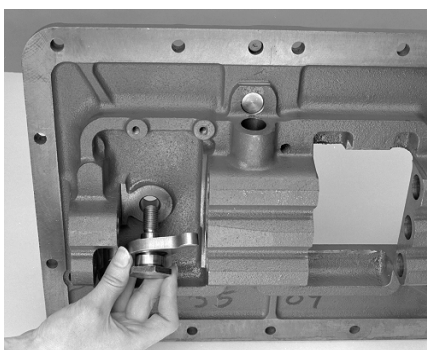
---



8. As the Shift Bar clears the last Boss, two (2) 3/4" Interlock Balls drop from the bottom rear Boss Bore.



9. If damaged, from the 1st and Reverse Shift Yoke, remove the Plug, Spring, and Plunger.



10. Inspect the Yoke or Block parts; replace the worn parts.

# Transmission Overhaul Procedures - Bench Service

## How to Assemble the Standard Shift Bar Housing

### Special Instructions

Inspect Shift Blocks and Shift Yokes for wear.

Apply Eaton® Sealant #71208 or equivalent to the Shift Bar Housing Plugs which are used to plug Oil Cooler provision holes. The sealant should be applied so at least 5 complete threads are covered.

Apply Eaton® Lockwire #1819 or equivalent to all Shift Bar Housing Assembly Set Screws in both Blocks and Yokes. The wire should anchor the Cap Screw at least 2 complete 360° turns. The Lockwire ends should be trimmed and bent out of the way of any part interference.

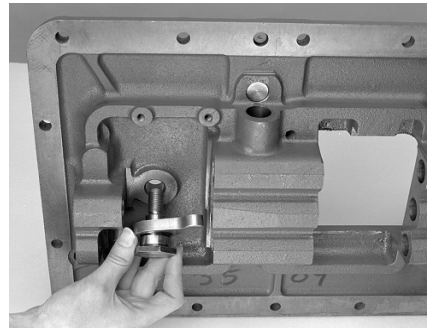
Keep Yoke Bars in Neutral while assembling.

### Special Tools

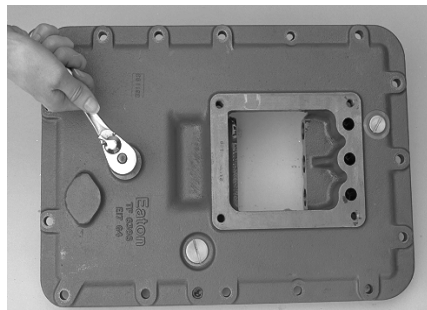
- Vise with brass jaws or wood blocks

### Procedure -

1. *Assemble the Yoke Actuator Assembly:*
2. From the Shift Bar Housing bottom, install the Actuator Pin and Yoke Actuator.



3. On the Shift Bar Housing top, install the Washer and Nut.

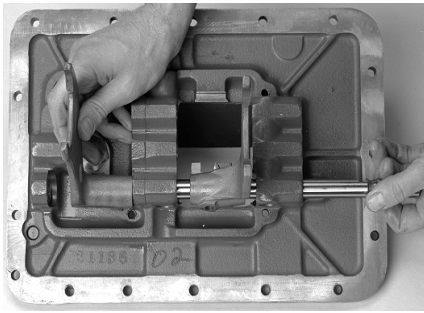


# Transmission Overhaul Procedures - Bench Service

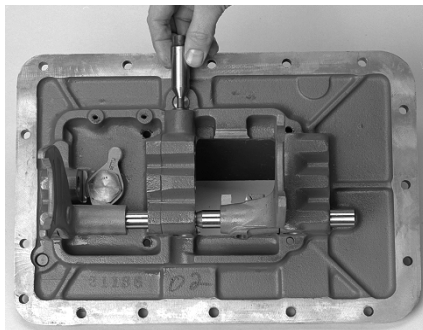
---



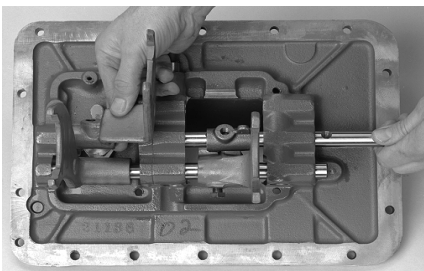
4. Assemble the 1st and Reverse Shift Yoke Assembly:
  - Install the Plunger in the 1st and Reverse Shift Yoke Bore, Plunger Shank to the outside.
  - Install the Spring into the Bore over the Plunger Shank.
  - Install the Plug and tighten to compress the Spring.
  - After Plug bottoms out, back the plug out 1 to 1-1/2 turns.
  - Complete the Block Assembly process by staking the plug through the small hole in Block.



5. With the Housing rear to the right, lay the Assembly on a flat surface.
6. Start installation of the bottom Shift Bar, as the Bar passes the Bosses, install the two (2) bottom Shift Yoke Assemblies.
7. Install the Shift Yoke Lock Screw, torque to 35–45 lb-ft (47.45–61.01 N•m). Lockwire securely.



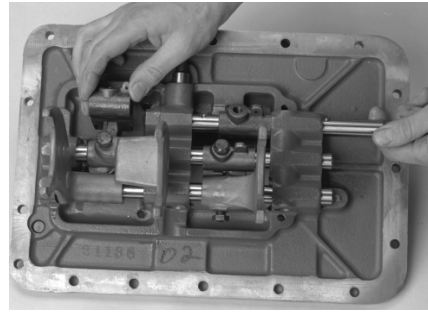
8. Place the Actuating Plunger in the top center Bore.
9. Place one 3/4" Interlock Ball in the Interlock Bore, against the bottom Bar.



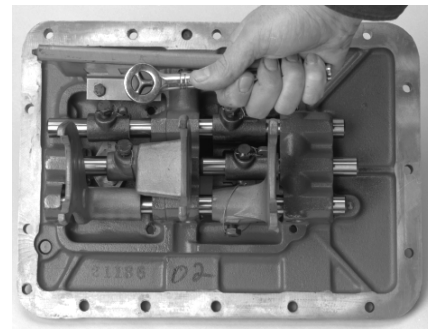
10. Holding the middle Bar notched end, start installation. As the Bar passes the Rear Boss, position the Shift Block.
11. As the Bar passes the center Boss, position the Shift Yoke on Bar, long hub to the Housing front.
12. Just prior to inserting notched end of Bar in Rear Boss, install the small Interlock Pin vertically in the Neutral Notch Bore.
13. Install the Shift Block and Shift Yoke Lock Screws, torque to 35–45 lb-ft (47.45–61.01 N•m). Lockwire securely.
14. Place one 3/4" Interlock Ball in the Interlock Bore, against the middle Bar.

# Transmission Overhaul Procedures - Bench Service

15. Holding the top Bar notched end, start installation. As the Bar passes the Rear Boss, position the Shift Block.
16. As the Bar passes the center Boss, position the Shift Yoke on the Bar, long hub to the Housing rear.



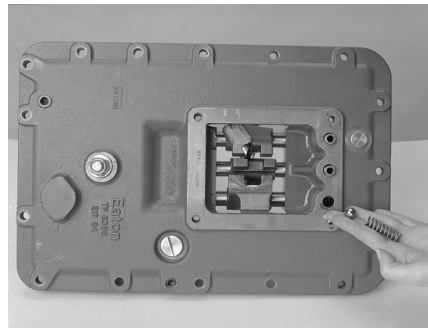
17. Install the Shift Block and Shift Yoke Lock Screws, torque to 35–45 lb-ft (47.45–61.01 N•m). Lockwire securely.
18. Install the Oil Trough. Torque the Retaining Cap Screws to 8–12 lb-ft (10.85–16.30 N•m). (Some models do not have an Oil Trough.)



19. Install the three (3) Tension Balls, one in each Housing top Bore. Install the three (3) Detent Springs, one over each Tension Ball.

**Note:** Make sure Interlocking System is working - should not shift into 2 gears at the same time.

**Note:** Make sure all Lock Screws are lockwired.



# Transmission Overhaul Procedures - Bench Service

---

## How to Assemble the Forward Shift Bar Housing

### Special Instructions

Inspect Shift Blocks and Shift Yokes for wear.

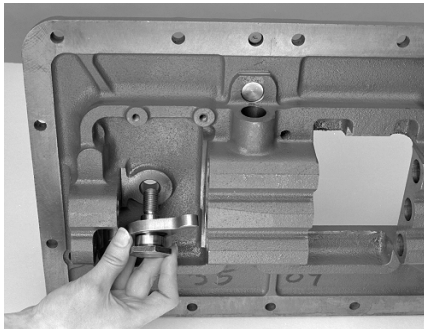
Apply Eaton® Sealant #71208 or equivalent to the Shift Bar Housing Plugs which are used to plug Oil Cooler provision holes. The sealant should be applied so at least 5 complete threads are covered.

Apply Eaton® Lockwire #1819 or equivalent to all Shift Bar Housing Assembly Set Screws in both Blocks and Yokes. The wire should anchor the Cap Screw at least 2 complete 360° turns. The Lockwire ends should be trimmed and bent out of the way of any part.

Keep Yoke Bars in Neutral while assembling.

### Special Tools

- Vise with brass jaws or wood blocks



### Procedure -

1. *Assemble the Yoke Actuator Assembly:*
2. From the Shift Bar Housing bottom, install the Actuator Pin and Yoke Actuator.



3. On the Shift Bar Housing top, install the Washer and Nut.

# Transmission Overhaul Procedures - Bench Service

## 4. Assemble the 1st and Reverse Shift Yoke Assembly:

- Install the plunger in the 1st and Reverse Shift Yoke Bore, Plunger Shank to the outside.
- Install the Spring into the Bore over the Plunger Shank.
- Install the Plug and tighten to compress the Spring.
- After Plug bottoms out, back the Plug out 1 to 1-1/2 turns.
- Complete the Block Assembly process by staking the Plug through the small hole in Block.



## 5. With the Housing rear to the right, lay the Assembly on a flat surface.

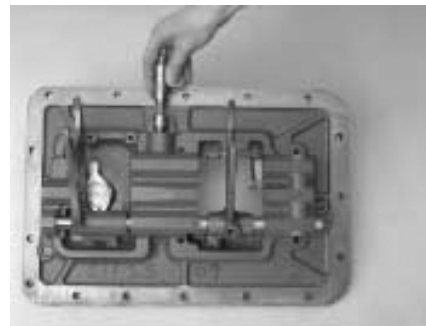
## 6. Start installation of the bottom Shift Bar, as the Bar passes the Bosses, install the two (2) bottom Shift Yoke Assemblies.



## 7. Install the Shift Yoke Lock Screw, torque to 35–45 lb-ft (47.45–61.01 N•m). Lockwire securely.

## 8. Place the Actuating Plunger in the top center Bore.

## 9. Place one 3/4" Interlock Ball in the Interlock Bore, against the bottom Bar.



## 10. Holding the middle Bar notched end, start installation. As the Bar passes the Rear Boss, position the Shift Block.

## 11. As the Bar passes the center Boss, position the Shift Yoke on Bar, long hub to the Housing front.

## 12. Just prior to inserting notched end of Bar in Rear Boss, install the small Interlock Pin vertically in the Neutral Notch Bore.

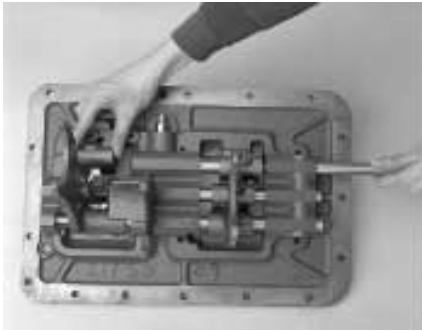
## 13. Install the Shift Block and Shift Yoke Lock Screws, torque to 35–45 lb-ft (47.45–61.01 N•m). Lockwire securely.

## 14. Place one 3/4" Interlock Ball in the Interlock Bore, against the middle Bar.



# Transmission Overhaul Procedures - Bench Service

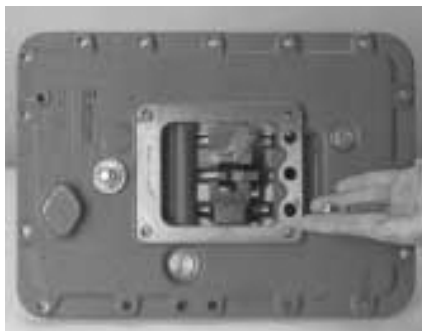
---



15. Holding the top Bar notched end, start installation. As the Bar passes the Rear Boss, position the Shift Block.
16. As the Bar passes the center Boss, position the Shift Yoke on Bar, long hub to the Housing rear.



17. Install the Shift Block and Shift Yoke Lock Screws, torque to 35–45 lb-ft (47.45–61.01 N•m). Lockwire securely.
18. Install the Oil Trough, torque the Retaining Cap Screws to 8–12 lb-ft (10.85–16.30 N•m). (Some models do not have an Oil Trough.)



19. Install the three (3) Tension Balls, one in each Housing top Bore. Install the three (3) Detent Springs, one over each Tension Ball.

**Note:** Make sure Interlocking System is working - should not shift into 2 gears at the same time.

**Note:** Make sure all Lock Screws are lockwired.



# Transmission Overhaul Procedures - Bench Service

## How to Disassemble the Forward Shift Bar Housing

### Special Instructions

The Shift Bar Housing must be removed from the Transmission.

During disassembly, lay all parts on a clean bench in order of removal to facilitate assembly.

Shift Bars not being removed must be kept in the Neutral position or the interlocking parts lock the Bars.

Start with the bottom Shift Bar.

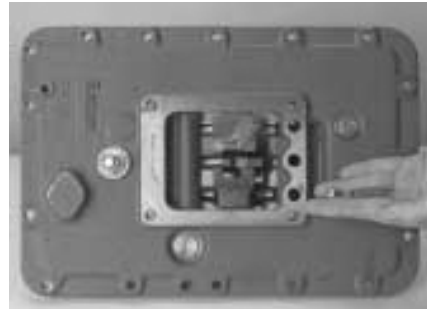
Cut the Lockwire and remove the Lock Screws from each Bar just before their removal.

### Special Tools

- Typical Service Tools

### Procedure -

1. If the three (3) sets of Tension Springs and Balls from Housing Bores have not been removed, place the Shift Bar Housing on its side to remove them.

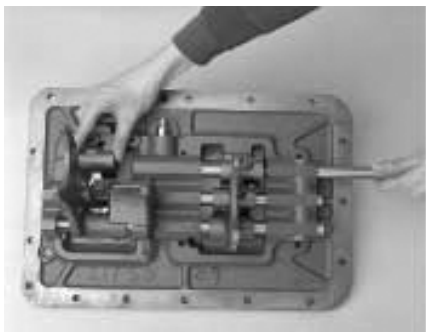


2. Remove the Oil Trough Retaining Cap Screws and Oil Trough. (Some models do not have an Oil Trough.)
3. With the Housing rear to the right, lay the Assembly on a flat surface.



## Transmission Overhaul Procedures - Bench Service

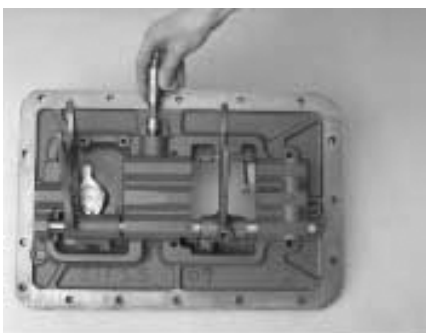
---



4. While removing the top Yoke Bar to the right, remove the two (2) Shift Blocks.



5. From the middle Yoke Bar, remove the Shift Yoke and Shift Block. As the Neutral Notch in the Bar clears the Rear Boss, remove the small Interlock Pin from the Notch Bore.



6. Remove the Actuating Plunger from the center top Boss Bore.

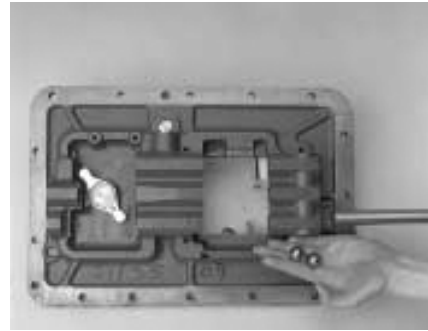


7. From the Bottom Yoke Bar, remove the two (2) Shift Yokes.

# Transmission Overhaul Procedures - Bench Service

---

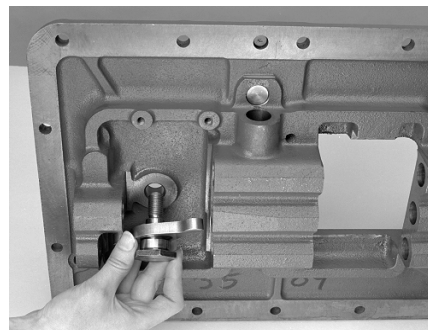
8. As the Shift Bar clears the last Boss, two (2) 3/4" Interlock Balls drop from the bottom Rear Boss Bore.



9. If damaged, from the 1st and Reverse Shift Yoke, remove the Plug, Spring, and Plunger.



10. Inspect the Yoke or Block parts, replace the worn parts.



# Transmission Overhaul Procedures - Bench Service

---

## How to Remove the Input Shaft Assembly (without Main Case disassembly)

### Special Instructions

None

### Special Tools

- RR1023TR Input Bearing Puller
- RR1019TR Hand Maul

### Procedure -



1. From the Front Bearing Cover, remove the six (6) Retaining Cap Screws and cover. Remove any remaining gasket material from the Case and Cover.



2. If present, remove and discard the rubber Seal Ring on the Input Shaft. The Ring is used only to seal the Transmission during shipment.



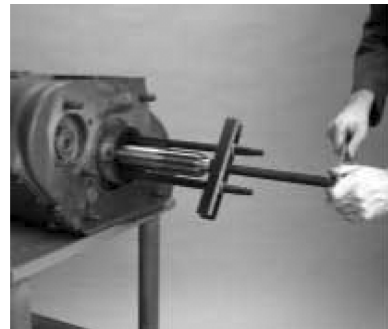
3. From the Input Shaft groove, remove the Bearing Retaining Snap Ring.

# Transmission Overhaul Procedures - Bench Service

4. Use a Soft Bar and Maul to drive the Input Shaft toward the Case rear as far as possible. Pull the Input Shaft forward.



5. Install the RR1023TR Input Bearing Puller and remove the Input Bearing from the Case and Input Shaft or use Pry Bars or Screwdrivers to complete removal of the Bearing.
6. From the Drive Gear front, remove Drive Gear Spacer.



7. Remove the Drive Gear Internal Snap Ring.



8. Pull the Input Shaft forward and out of the Drive Gear.
9. Inspect the bushing in the Input Shaft pocket, replace if damaged.



# Transmission Overhaul Procedures - Bench Service

---

## How to Install the Input Shaft Assembly (without Main Case disassembly)

### Special Instructions

None

### Special Tools

- RR1023TR Input Bearing Puller
- RR1019TR Hand Maul



### Procedure -

1. If necessary, install the bushing in the back of the Input Shaft.
2. From the front, engage the Input Shaft Spline Teeth into the Main Drive Gear.

**Note:** The current design Input Shaft Spline Teeth have noticeable clearance to the Main Drive Gear internal Spline Teeth. This is normal.

3. Install the Snap Ring in the Main Drive Gear inside groove.

4. Install the Spacer Washer over the Input Shaft. With the Bearing External Snap Ring to the outside, position the bearing on the Input Shaft.

# Transmission Overhaul Procedures - Bench Service

---

5. Install the RR1005TR Input Bearing Driver over the Input Shaft. Use a Flanged-End Bearing Driver which contacts both the Bearing Inner Race and Outer Race. Drive the Bearing until it contacts the Front Case.



6. Install the Input Shaft Retaining Snap Ring.

**Note:** Do not replace the small rubber Lip Seal. It is used only to prevent leakage during shipping.



7. Install the Front Bearing Cover. Apply Loctite 242 to Cap Screw threads and torque to 35–45 lb-ft (47.45–61.01 N•m).



# Transmission Overhaul Procedures - Bench Service

---

## How to Remove the Auxiliary Section with Tapered Bearings

### Special Instructions

There can be different Cap Screw lengths, note their location.

Auxiliary Sections can be removed either with the Transmission in the horizontal position or the vertical position.

Auxiliary Countershaft Retaining Straps may be installed to hold the Countershafts in place. You can make retaining straps from 3" x 1" bar stock. Auxiliary can be removed without straps, use caution.

### Special Tools

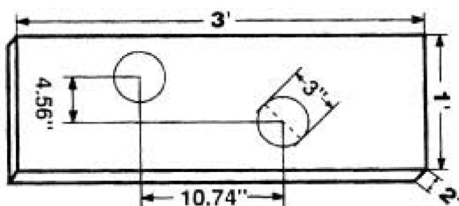
- RR1002TR Auxiliary Countershaft Support Straps
- RR1006TR Auxiliary Section Lifting Bracket



### Procedure -

1. **To remove the Auxiliary Section in the horizontal position.** Remove the four (4) Cap Screws and the Auxiliary Countershaft Rear Bearing Cover, gasket, and Rear Bearing shim.
2. Install the RR1002TR Auxiliary Countershaft Support Straps with 2-3/8" NC x 1" and 1 - 3/8" NC x 1 - 1/2" clean Cap Screws.

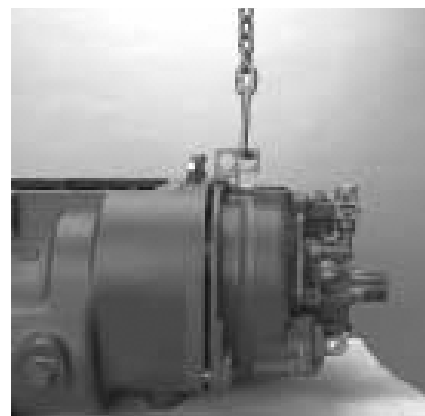
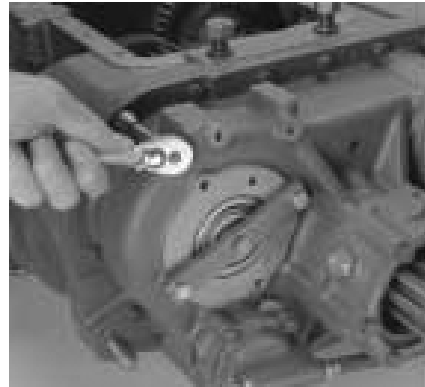
**Note:** Do not use an Air Gun. Tighten by hand until the Cap Screws are snug.





# Transmission Overhaul Procedures - Bench Service

3. From the Auxiliary Section Housing, remove the Retaining Cap Screws that attach the Front Section to the Auxiliary Section.
4. Insert the two (2) longest Cap Screws in the Housing flange tapped holes. Tighten evenly to move the Auxiliary Section away from the Front Box. Go far enough to break the gasket seal.
5. Remove the Cap Screws from the tapped holes.
6. Attach the RR1006TR Auxiliary Section Lifting Bracket to the Auxiliary Section top.
7. Attach a Lifting Chain to the Auxiliary Section Hanger Bracket.
8. Move Assembly to the rear until Auxiliary Section is free.
9. Remove the Gasket and clean all mounting surfaces of gasket material.



## Procedure -

1. **To remove the Auxiliary Section in the vertical position.** With blocks under the Clutch Housing to prevent Input Shaft damage, place Transmission in the vertical position, Clutch Housing down.
2. Remove the four (4) Cap Screws and the Auxiliary Countershaft Rear Bearing Cover, Gasket, and Rear Bearing Shim. Clean the gasket surface area.
3. Install the RR1002TR Auxiliary Countershaft Support Straps with 2-3/8" NC x 1" and 1-3/8" NC x 2-1/2" clean Cap Screws.

**Note:** Do not use an Air Gun. Tighten by hand until the Cap Screws are snug.

4. From the Auxiliary Section Housing, remove the Retaining Cap Screws that attach the Front Box to the Auxiliary Section.
5. Install a Steel Bar through the Yoke.
6. Attach a Lifting Chain to the Steel Bar.
7. Lift assembly from the Front Section.



# Transmission Overhaul Procedures - Bench Service

## How to Remove the Splitter Cylinder Assembly

**Note:** On 9-Series and Super 10 Transmissions, it is necessary to R&R the Auxiliary Section Prior to Range Cylinder Removal. Damage to internal components will result if Auxiliary Section is not properly removed prior to Cylinder Removal.

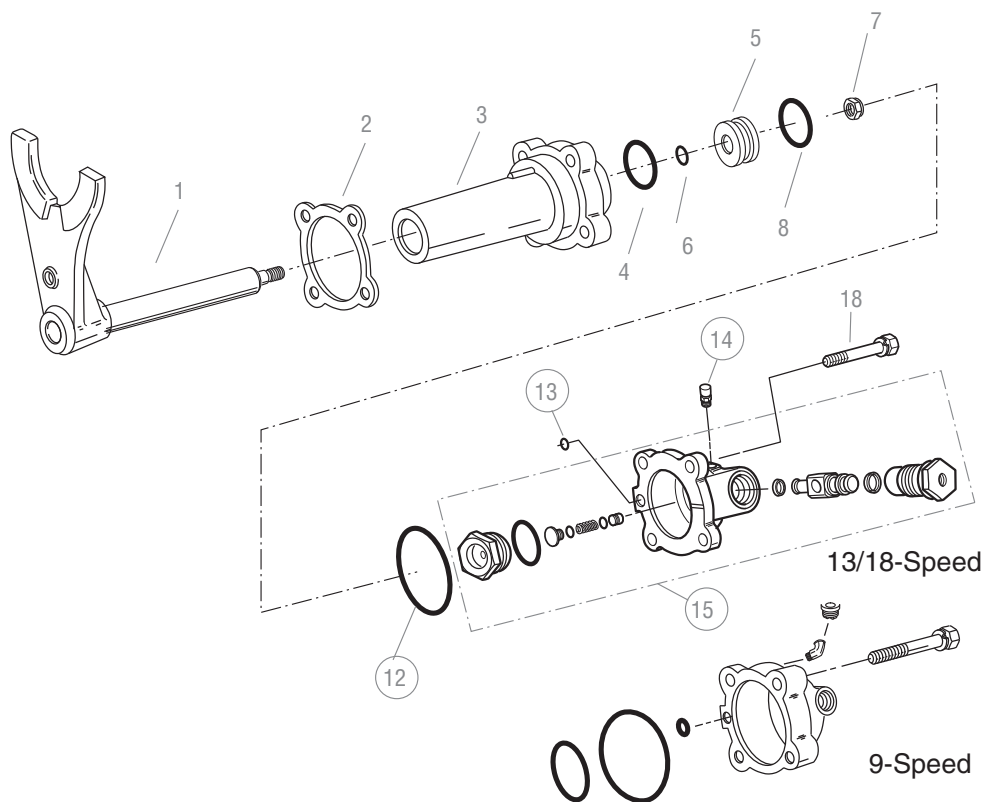
**Note:** When replacing just the O-Rings in the Splitter Cylinder, removal of the Auxiliary Section is not necessary.

### Special Instructions

When removing the Splitter Cylinder Cover Insert Valve, note the direction the Insert Valve was positioned (nipple in or out).

### Special Tools

- Typical Service Tools



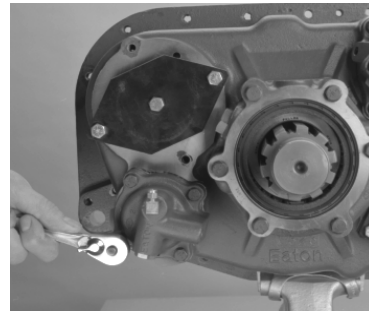
1. Splitter Yoke Assembly
2. Gasket
3. Splitter Cylinder
4. O-Ring
5. Piston
6. O-Ring
7. Nut

8. O-Ring
12. O-Ring
13. O-Ring
14. Breather
15. Splitter Valve Replacement Kit
18. Cap Screw

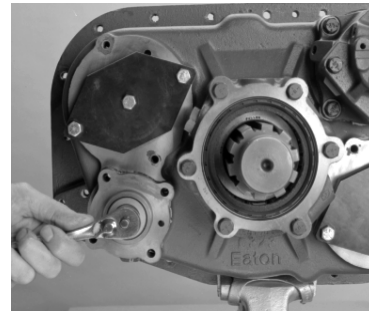
# Transmission Overhaul Procedures - Bench Service

## Procedure -

1. Drain lube.
2. From the Splitter Cylinder Cover, remove the Retaining Cap Screws.
3. Remove the Cover and Gasket or O-Ring (new design, aluminum cover).
4. Remove the 3/4" nut on the Splitter Yoke Bar.



5. From the Auxiliary rear, remove the Splitter Cylinder Housing.



6. If necessary, turn out the Insert Valve Retaining Nut and remove Insert Valve from Bore (only present on old style 13/18 Speed).
7. If Spool Valve needs to be replaced it must be done as an entire unit which is part of the Splitter Cover.



**Note:** New 13/18 Speeds Splitter Covers contain a Spool Valve that is replaced as a unit.

*Old Style Insert Valve*



*New Style Spool Valve*



# Transmission Overhaul Procedures - Bench Service

---

## How to Remove the Auxiliary Countershaft Assembly

### Special Instructions

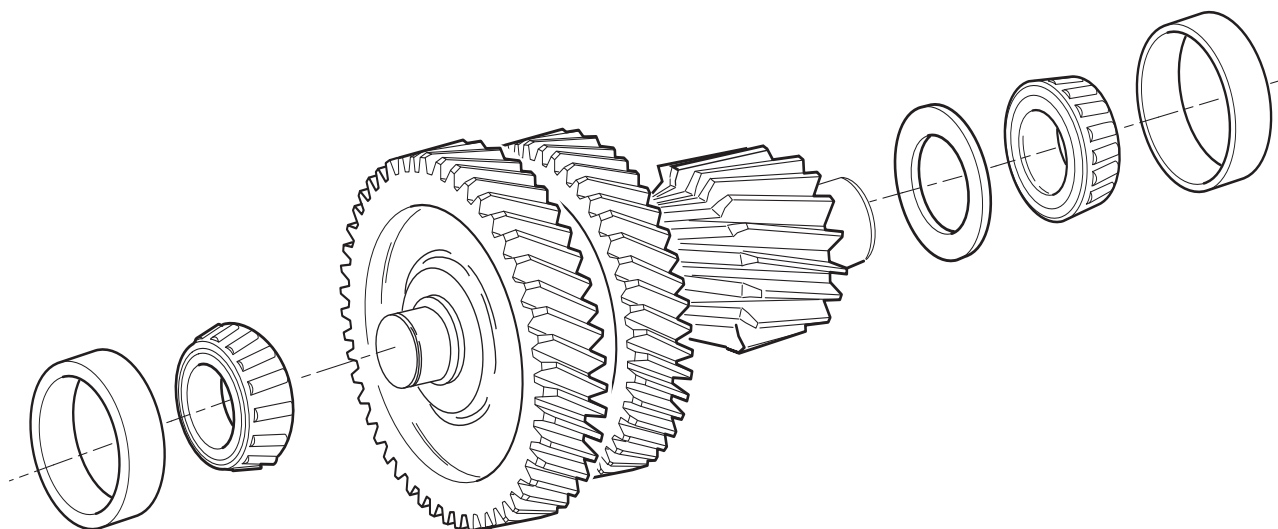
For ease of disassembly, mount the Auxiliary Section upright in a Vise.

Both Countershafts are removed the same.

As the Countershaft Strap is removed, the Countershaft can fall.

### Special Tools

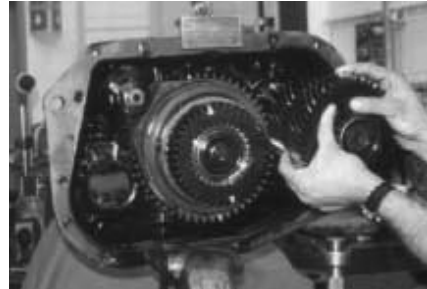
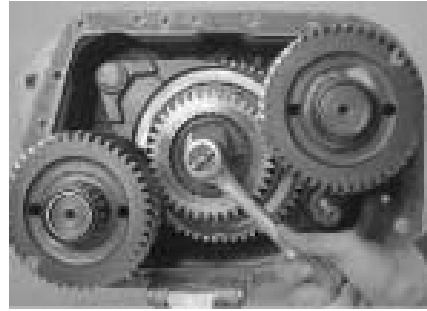
- RR1019TR Hand Maul
- RR1020TR Soft Bar



# Transmission Overhaul Procedures - Bench Service

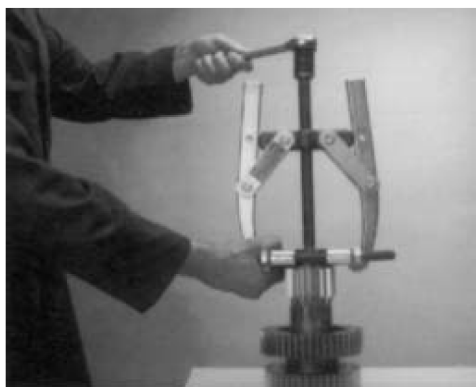
## Procedure -

1. To hold the Auxiliary Countershafts from turning, place a shop rag or equivalent between the Splitter Gear and one Countershaft.
2. From the Output Shaft, loosen the 15/16" Cap Screw and Retainer. Do not remove the Cap Screw.
3. Use a Soft Bar and Maul to drive the Output Shaft forward far enough to partially unseat the Bearing.
4. Support the Auxiliary Countershaft while removing the Auxiliary Countershaft Retaining Strap.
5. Remove the Auxiliary Countershaft.
6. Remove the Auxiliary Countershaft Bearing Race from Bore.



## Transmission Overhaul Procedures - Bench Service

---



7. If necessary, secure the Countershaft Assemblies in a Vise and remove both the Front and Rear Bearings with a Bearing Separator and Jaw Pullers.



## How to Remove the Splitter Gear

### Special Instructions

None

### Special Tools

- Typical Service Tools

### Procedure -

1. From the Output Shaft, remove the 15/16" Cap Screw and Retainer Bolt.
2. From the Output Shaft, remove the Splitter Gear.



# Transmission Overhaul Procedures - Bench Service

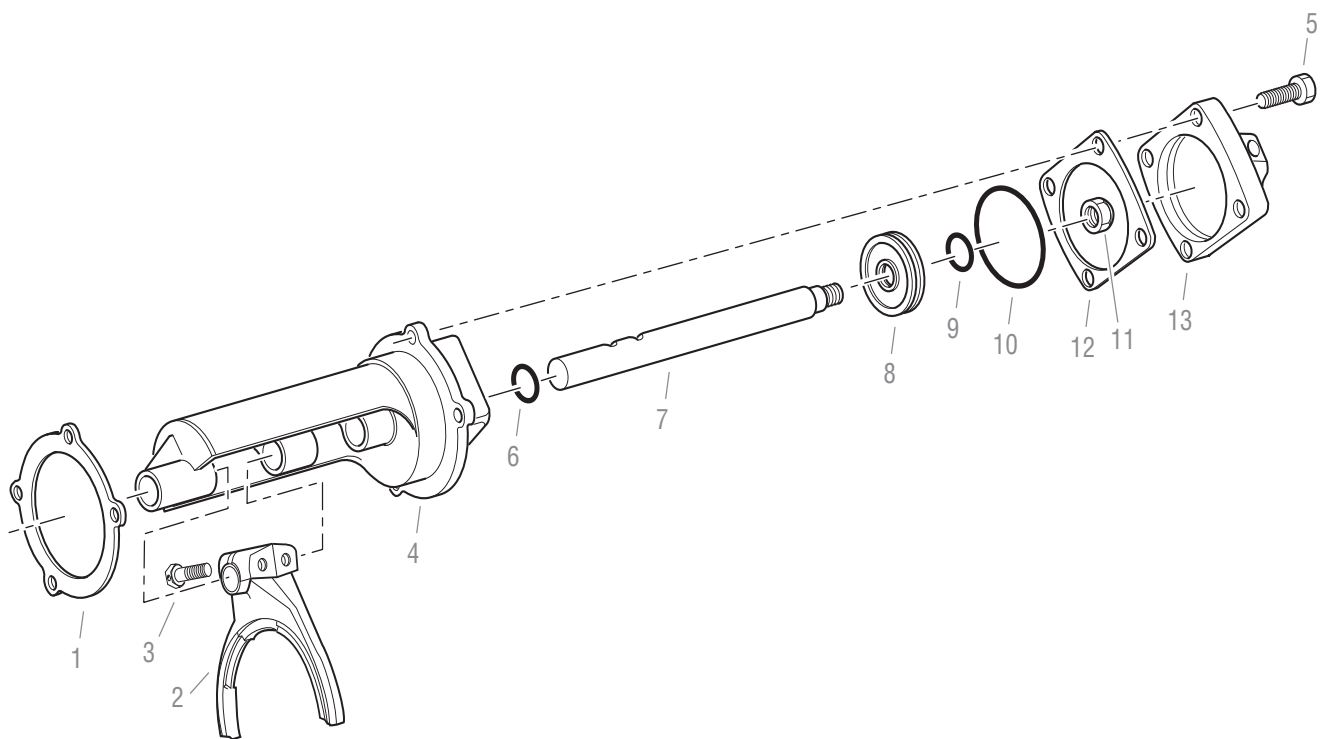
## How to Disassemble the Range Cylinder Assembly

### Special Instructions

For RTLO-XX9XX (9 Series), remove the Auxiliary Section before disassembling the Range Cylinder. See page 114 for removing Auxiliary Section instructions.

### Special Tools

- Typical Service Tools



- 1. Gasket
- 2. Shift Yoke
- 3. Bolt
- 4. Range Cylinder Assembly
- 5. Cap Screw
- 6. O-Ring
- 7. Yoke Bar

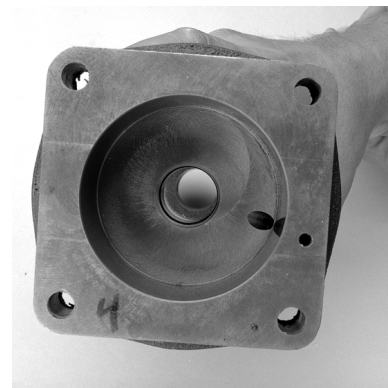
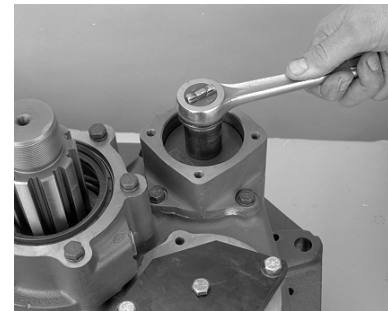
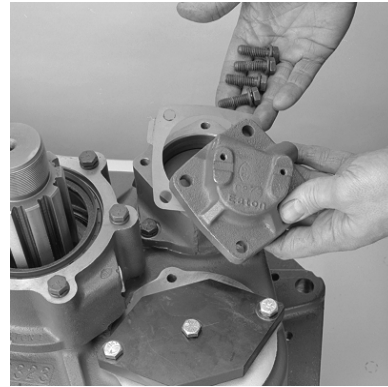
- 8. Piston
- 9. O-Ring
- 10. O-Ring
- 11. Nut
- 12. Gasket
- 13. Cover



# Transmission Overhaul Procedures - Bench Service

## Procedure -

1. From the Range Cylinder Cover, remove the Cap Screws, Cover, and Gasket.
2. Clean the gasket mounting surfaces of all gasket material.
3. From the Range Cylinder Housing Bore, remove the 15/16" nut.
4. From the Cylinder Housing Bore, remove the Range Piston.
5. Inspect the Range Piston O-Rings, remove if damaged.
6. Remove the Cap Screws and Range Cylinder Housing.
7. Clean the gasket mounting surfaces of all gasket material.
8. Inspect the O-Ring inside the Range Cylinder Housing Bore, remove if damaged.



# Transmission Overhaul Procedures - Bench Service

## How to Disassemble the Output Shaft Assembly

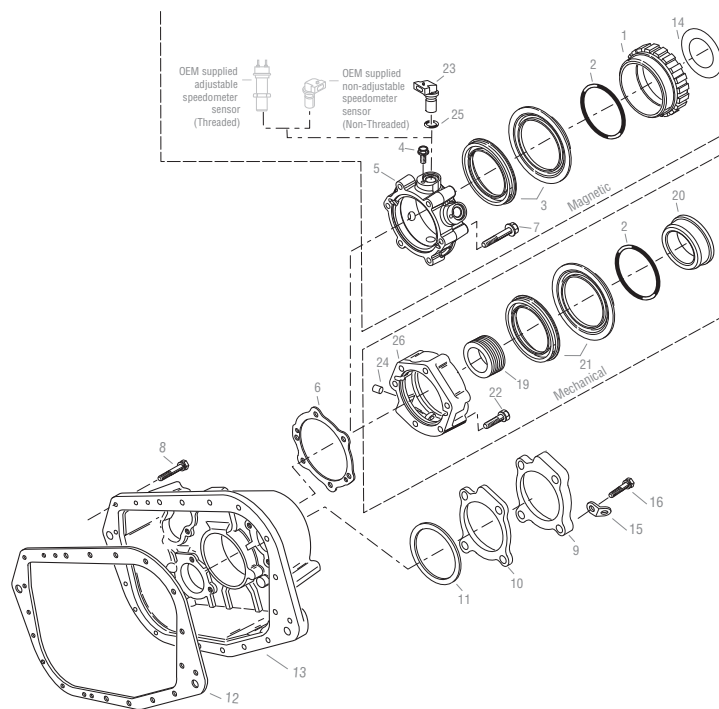
### Special Instructions

When using the Soft Bar and Maul on the Output Shaft, be careful not to damage the threads.

When removing the Rear Bearing Cover, the Rear Bearing Cone drops from the Housing Bore.

### Special Tools

- Vise with brass jaws or wood blocks
- Press
- Soft Bar and Maul



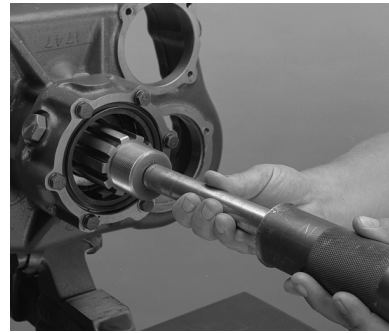
1. Speedo Rotor Assembly
2. O-Ring
3. Oil Seal Kit
4. Cap Screw
5. Rear Bearing Cover Assembly
6. Gasket
7. Cap Screw
8. Cap Screw
9. Cover
10. Gasket
11. Shim Kit
12. Gasket

13. Rear Housing
15. Lifting Eye
16. Cap Screw
19. Speedo Drive Gear
20. Speedo Spacer Assembly
21. Oil Seal w/Slinger
22. Cap Screw
23. Speed Sensor Kit
24. Bushing
25. O-Ring
26. Rear Bearing Cover Assembly

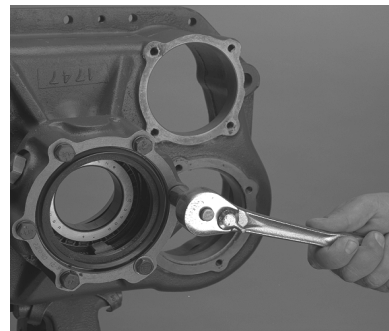
# Transmission Overhaul Procedures - Bench Service

## Procedure -

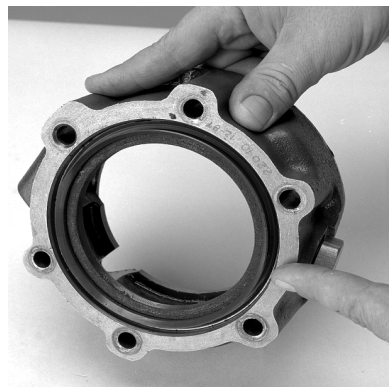
1. Use a Soft Bar and Maul to drive the Output Shaft forward and through the Rear Bearing Assembly.



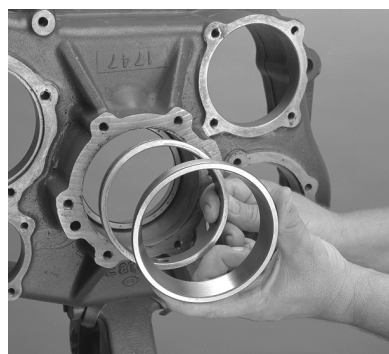
2. From the Auxiliary Housing rear, remove the Rear Bearing Retaining Cap Screws, Cover, and Gasket.
3. Clean the gasket mounting surface of gasket material.



4. Inspect the Rear Bearing Cover Oil Seal for damage, remove if damaged.



5. From the Auxiliary Housing rear, remove the Bearing Cup and Spacer.



## Transmission Overhaul Procedures - Bench Service

---



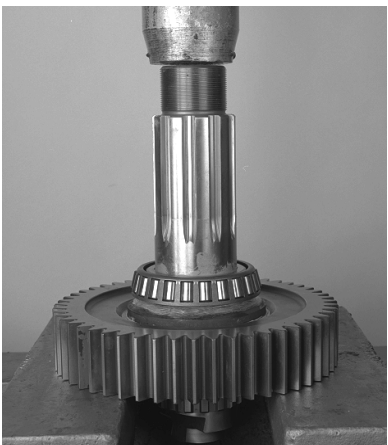
6. From the Auxiliary Housing front, remove the remaining Bearing Cup.



7. Some models have a one piece Bearing Race. Remove it from the Bearing Bore.



8. From the Output Shaft, remove the Bearing Inner Spacer.



9. Use the Output Shaft Assemble Gear front face as a base, press the Output Shaft through the Bearing and Gear.

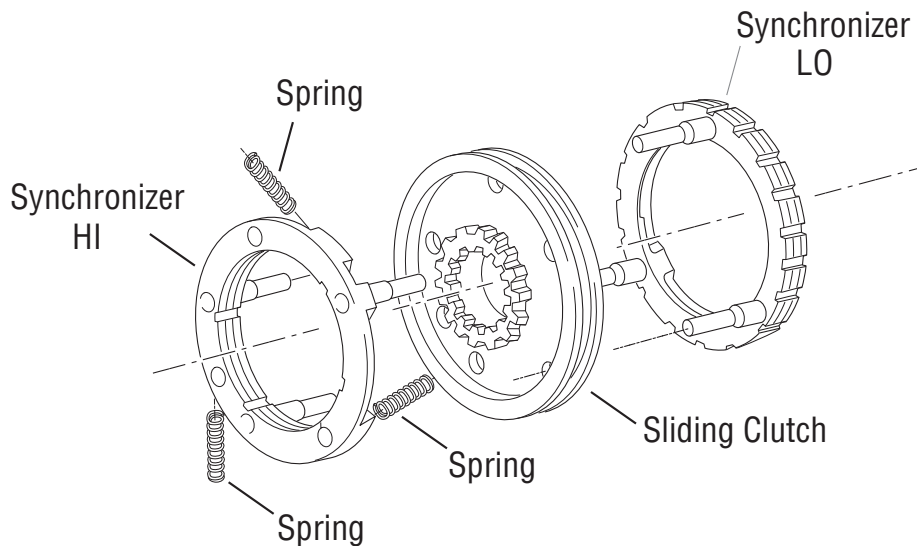
## How to Disassemble the Synchronizer Assembly

### Special Instructions

Place the Synchronizer Assembly on a clean, flat surface. Cover the Synchronizer Assembly with a shop rag to prevent losing the three (3) springs under pressure from the HI Range Synchronizer Pin locations.

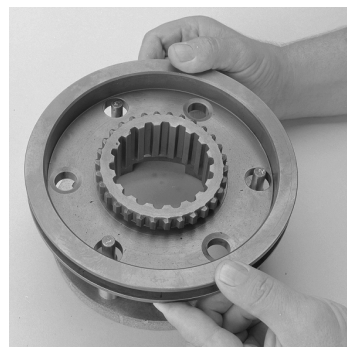
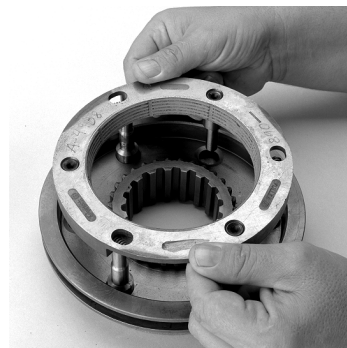
### Special Tools

- Typical Service Tools



### Procedure -

1. Place the larger LO Range Synchronizer Ring on the bench.
2. Cover the Synchronizer with a shop rag to contain the springs.
3. Grab both sides of the HI Range Synchronizer and pull.
4. From the Synchronizer Ring LO Range pins, remove the Sliding Clutch.



# Transmission Overhaul Procedures - Bench Service

---

## How to Assemble the Synchronizer Assembly

### Special Instructions

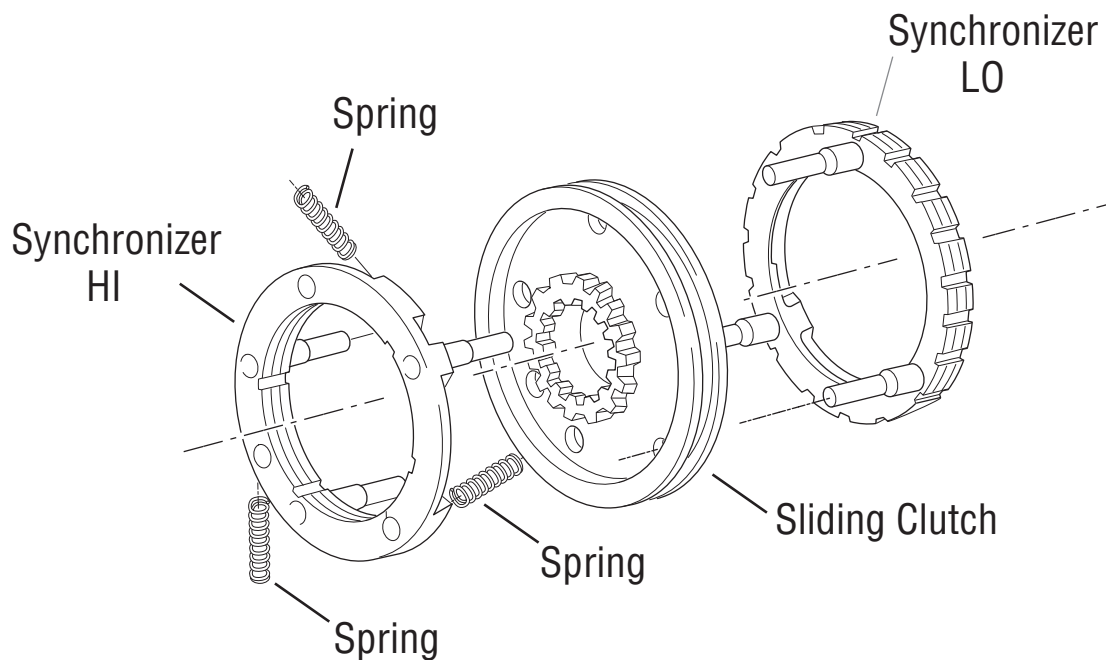
Assembly should be done on a clean, flat surface slightly lower than your waist.

Pins on the LO Range Synchronizer must line up with the chamfered holes on the Sliding Clutch bottom.

When compressing the HI Range Synchronizer springs cover with a shop rag. In the event compression is not achieved the first time, this prevents the springs from leaving the bench area.

### Special Tools

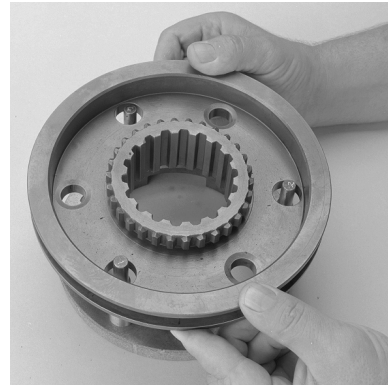
- Typical Service Tools



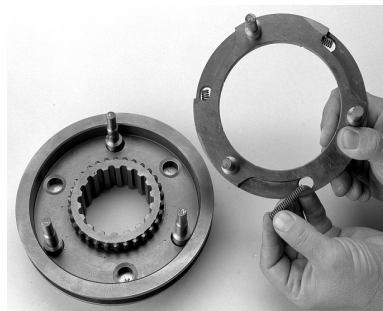
# Transmission Overhaul Procedures - Bench Service

## Procedure -

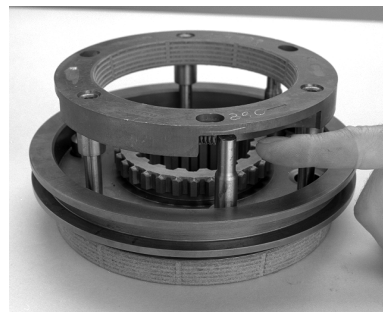
1. On the bench, place the larger LO Range Synchronizer Ring face down with pins up.
2. With the Sliding Clutch recessed side up, place the Sliding Clutch on the LO Range Synchronizer Pins.



3. In the HI Range Synchronizer Bores, install the three (3) springs.



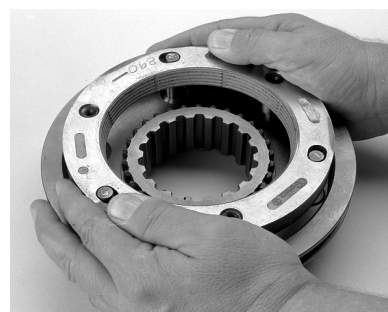
4. Place the HI Range Synchronizer Ring over the LO Range Synchronizer Ring. Rotate the HI Range Synchronizer until the springs are seated against the pins.



5. Cover the Assembly with a shop rag.
6. Apply downward pressure to the HI Range Synchronizer Ring while twisting counterclockwise. This compresses the springs to fully seat HI Range on the LO Range Synchronizer. This should be done with a rapid twist and push motion.

**Note:** Make sure there are three springs and they are fully compressed.

**Note:** Make sure you can move the Sliding Clutch from HI to LO Range and back.



# Transmission Overhaul Procedures - Bench Service

---

## How to Assemble the Output Shaft Assembly

### Special Instructions

Make sure the Magnetic Plugs are installed in the Auxiliary Housing.

Output shaft stack up should be done on a clean, flat surface.

When heating the bearings, do not heat above 275°F (136°C).

When installing the rear Bearing Race, the proper depth is when the Race shoulder is seated on Bearing Bore top.

Because the collar becomes distorted when compressed, do not use an old nylon collar in the Rear Bearing Cover.

### Special Tools



### Procedure -

1. Use Toolmaker's Dye and mark the LO Range Gear for timing purposes.
2. Mark any two (2) adjacent teeth on the LO Range Gear. Repeat the procedure for the two (2) adjacent teeth directly opposite the first set marked.



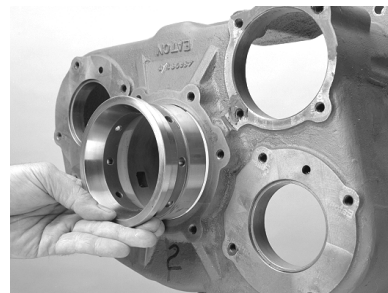
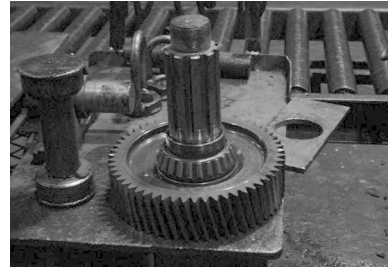
3. With Splined Washer facing up, place the washer on the Output Shaft shoulder.



# Transmission Overhaul Procedures - Bench Service

---

4. With LO Range Gear Clutching teeth down, position LO Range Gear on the Output Shaft, engage the Washer Splines.
5. With chamfer side up, position the LO Range Gear rear washer on the Output Shaft against the LO Range Gear.
6. With tapered side up, use heat or appropriate driver and install the Output Shaft Rear Bearing.
7. On the Output Shaft, position the Bearing Inner Spacer. Set aside.
8. Lay the Auxiliary Housing front face down on a clean flat surface. Install the Bearing Race in the Bearing Bore.



# Transmission Overhaul Procedures - Bench Service

---

## How to Install the Splitter Gear

### Special Instructions

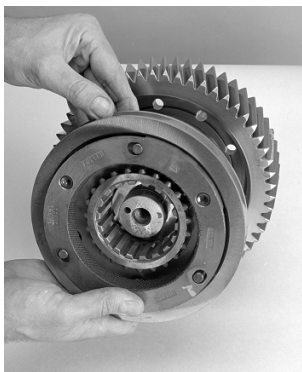
Make sure to use a Splitter Gear Retaining Bolt with thread-locking compound Loctite 242.

The Output Shaft Assembly will need to be placed in a Vise in order to tighten the Retaining Bolt to proper torque.

Applying oil to Synchronizer material will ease the installation of the Auxiliary Section to the Main Case.

### Special Tools

- Vise with brass jaws or wood blocks



### Procedure -

1. Lay the Output Shaft Assembly on its side.
2. Submerge Synchronizer in Motor Oil.
3. Install the Synchronizer Assembly.
  
4. Install the Splitter Gear.
5. Install the Splitter Gear Retainer and 15/16" Cap Screw.
6. Torque the Splitter Gear Retainer Bolt to 190–210 lb-ft (257.61–284.72 N•m).

**Note:** Make sure the Splitter Gear Retainer Bolt is properly torqued.

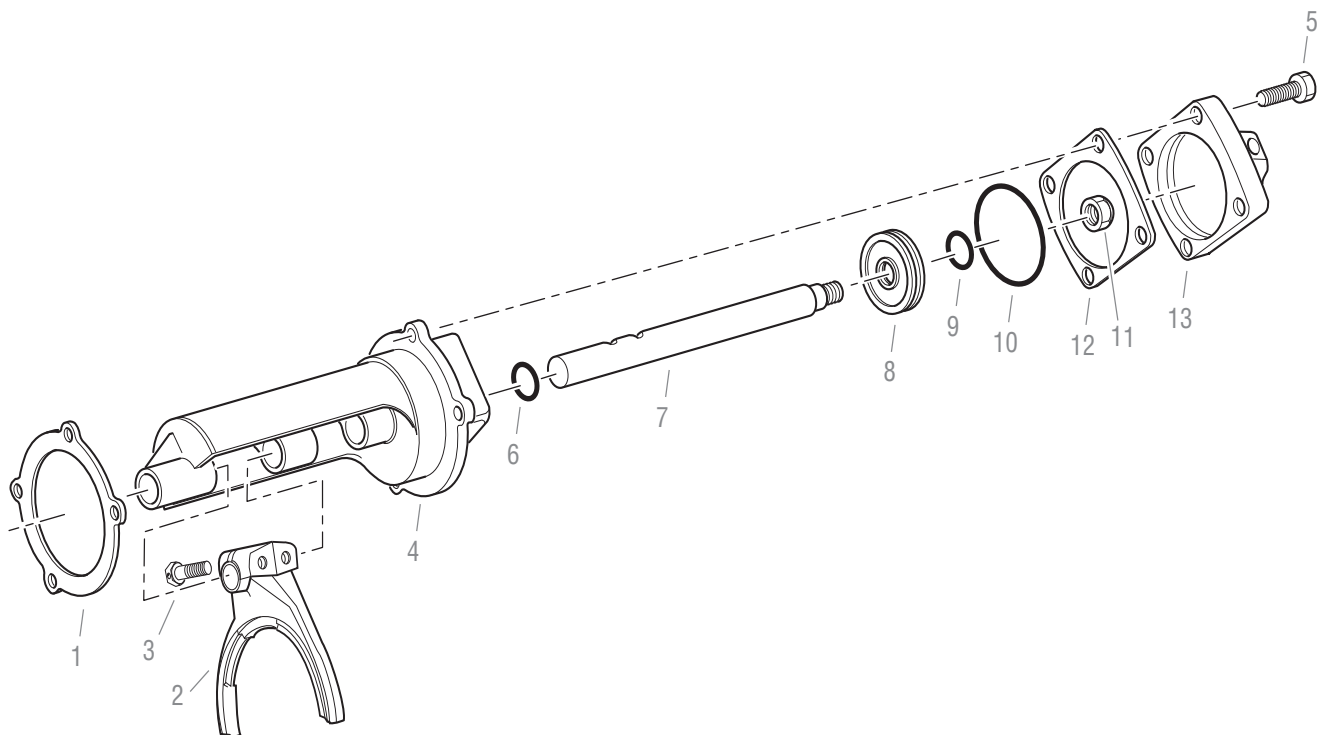
## How to Assemble the Range Cylinder Assembly

### Special Instructions

Apply Eaton® Lubricant #71214 or equivalent to Shift Cylinder Assembly and Insert Valve O-Rings so a film covers the entire surface of each O-Ring.

### Special Tools

- Typical Service Tools

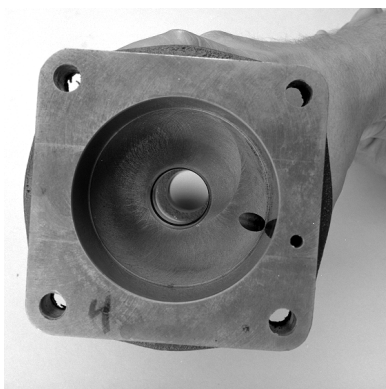


- 1. Gasket
- 2. Shift Yoke
- 3. Bolt
- 4. Range Cylinder Assembly
- 5. Cap Screw
- 6. O-Ring
- 7. Yoke Bar

- 8. Piston
- 9. O-Ring
- 10. O-Ring
- 11. Nut
- 12. Gasket
- 13. Cover

# Transmission Overhaul Procedures - Bench Service

---

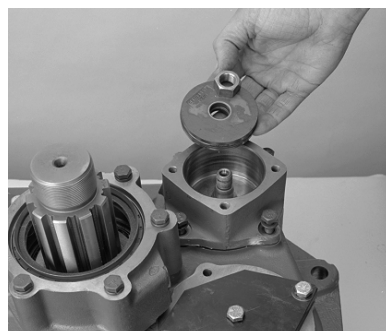


## Procedure -

1. If previously removed, in the Cylinder Housing Bore, install the small O-Ring.



2. If previously removed, on the piston I.D. and O.D., install the Piston O-Rings.



3. Position a new gasket on the Range Cylinder Housing mounting surface.
4. Install the Cylinder Housing.
5. Apply Eaton® Fuller® Sealant #71205 or equivalent to the Retaining Cap Screws.

6. Install the Cap Screws, torque to 20–25 lb-ft (27.12–33.90 N•m).

7. Lean Auxiliary Section back with Range Cylinder upward.

8. Insert the Piston. Push it in as far as it will go.

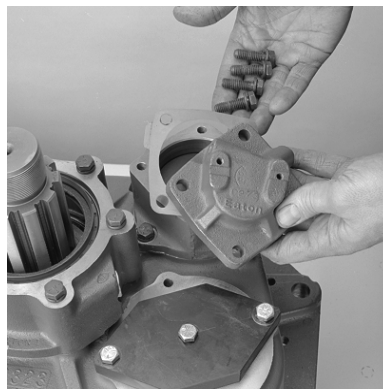
9. Secure the Piston with the Retaining Nut, torque to 70–85 lb-ft (94.91–115.24 N•m).



# Transmission Overhaul Procedures - Bench Service

---

10. Position a new gasket on the Cylinder Housing Cover mounting surface.
11. Over the gasket, position the Range Cylinder Cover.
12. Apply Eaton® Fuller® Sealant #71205 or equivalent to the Retaining Cap Screws.
13. Install the Cap Screws, torque to 20–25 lb-ft (27.12–33.90 N•m).



# Transmission Overhaul Procedures - Bench Service

## How to Install Splitter Cylinder Assembly

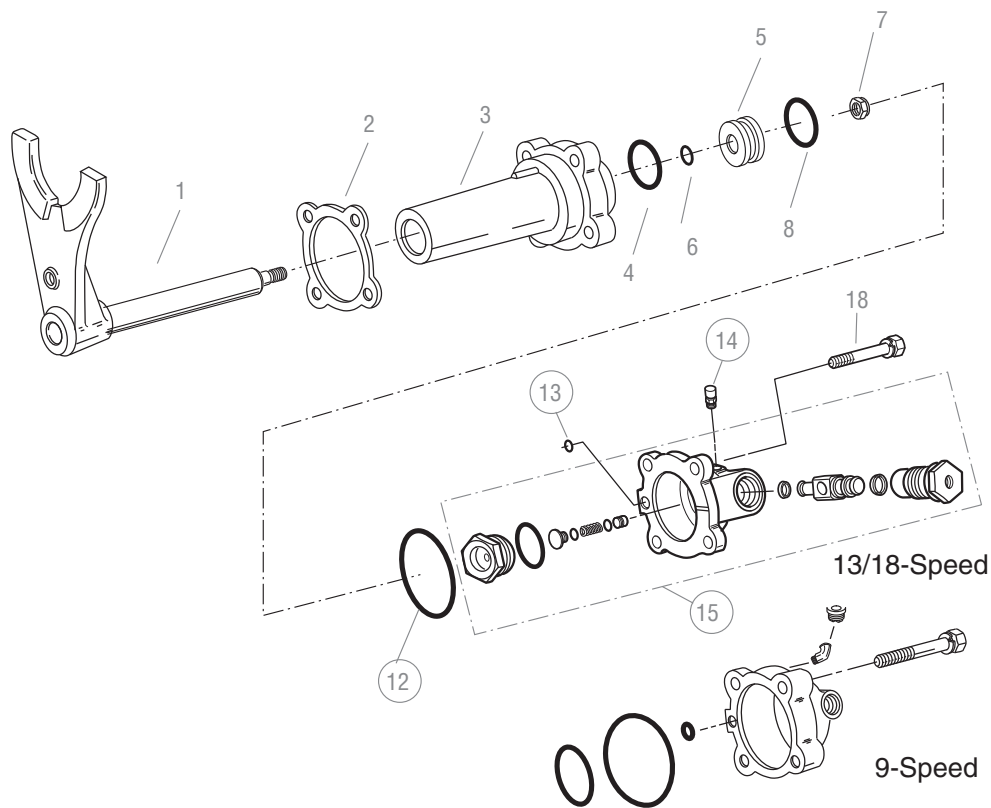
### Special Instructions

Apply Eaton® Lubricant #71214 or equivalent to all Shift Cylinder Assembly and Spool Valve O-Rings so a film covers the entire surface of each O-Ring.

Apply Eaton® rust preventative #71213 or equivalent to all Shift Cylinder walls and Yoke Bars, cover the entire Yoke Bar surface that comes in contact with the Shift Cylinder O-Ring.

### Special Tools

- Typical Service Tools are needed
- Vise with brass jaws or wood blocks



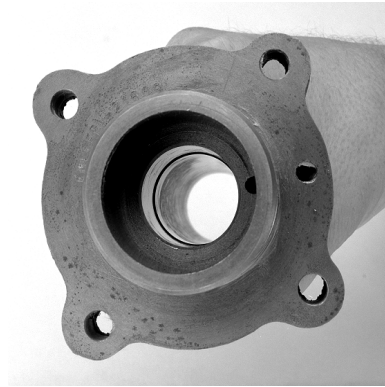
1. Splitter Yoke Assembly
2. Gasket
3. Splitter Cylinder
4. O-Ring
5. Piston
6. O-Ring
7. Nut

8. O-Ring
12. O-Ring
13. O-Ring
14. Breather
15. Splitter Valve Replacement Kit
18. Cap Screw

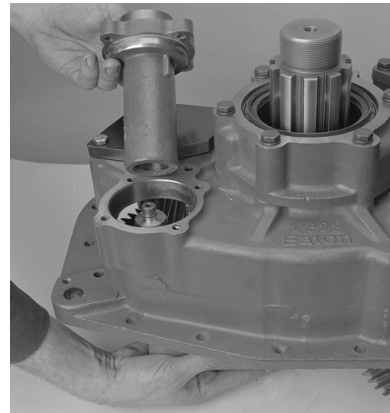
# Transmission Overhaul Procedures - Bench Service

## Procedure -

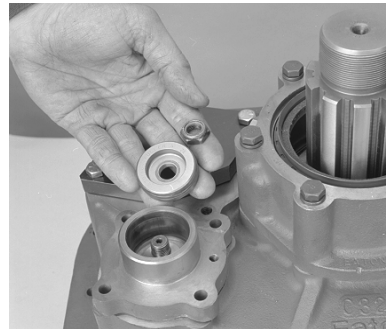
1. If previously removed, in the Cylinder Housing Bore, install the small O-Ring.
2. If previously removed, on the piston O.D., install the Piston O-Ring.



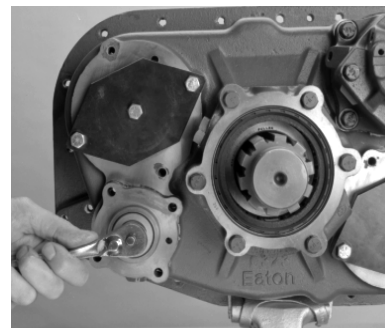
3. Position a new gasket on the Cylinder Housing mounting surface.
4. With the air passage towards the Rear Bearing Cover, install the Cylinder Housing.
5. Inside the Cylinder Housing, over the Yoke Bar end, install the O-Ring.



6. With the recessed side up, install the Splitter Cylinder Piston.



7. Install the 3/4" lock nut, torque to 30–36 lb-ft (41–49 N•m).



# Transmission Overhaul Procedures - Bench Service

---

8. Position a new gasket or O-Ring (new design, aluminum cover) on the Cylinder Housing Cover mounting surface. The gasket air passage must align with the Housing air passage.
9. Position the Splitter Cylinder Cover over the gasket or O-Ring (new design, aluminum cover).
10. New style Splitter Covers contain a Spool Valve, which must be replaced as a unit with the entire Cover. Old style Splitter Covers contain a separate Insert Valve that can be removed from the bottom of the Splitter Cover.
11. Apply Eaton® Fuller® Sealant #71205 or equivalent to the Retaining Cap Screws.
12. Install and torque the Retaining Cap Screws to 20–25 lb-ft (27.12–33.90 N•m).



13. Refill Transmission with lube to the proper level.

**Note:** Make sure the Retaining Nut and Cap Screws are tightened to proper torque.

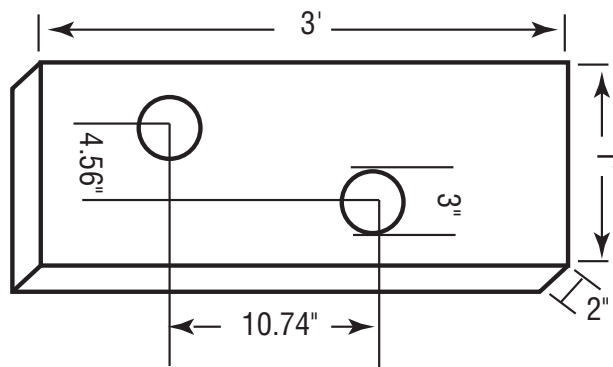
**Note:** Make sure gaskets were used at appropriate positions.



## How to Install the Auxiliary Countershaft Assembly

### Special Instructions

To make Auxiliary Section Assembly easier, you can make an Auxiliary Section fixture out of a 2" x 12" piece of wood.

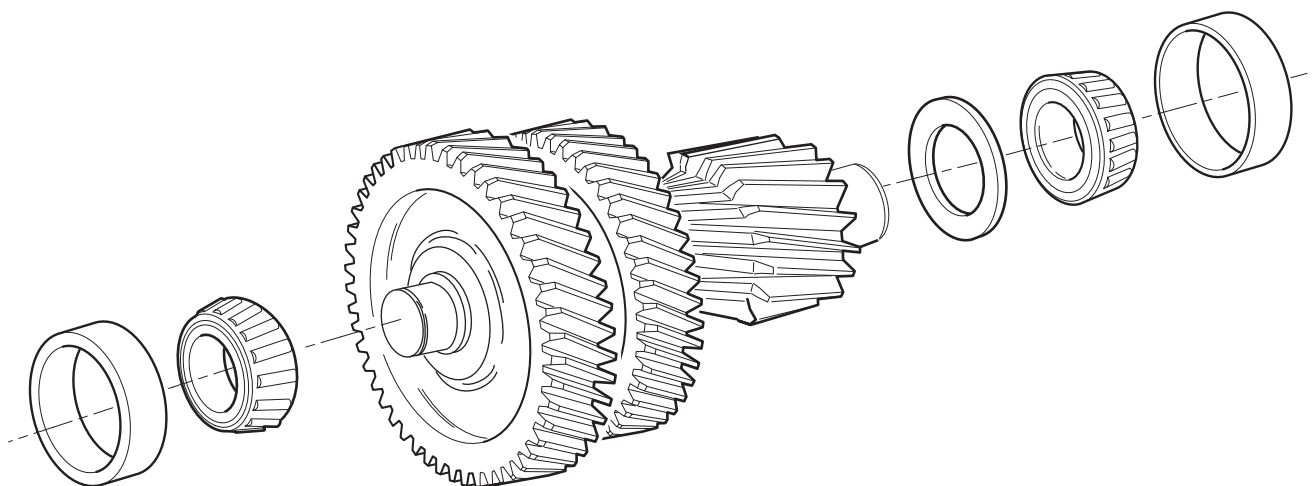


This fixture is designed to ease the assembly of the Auxiliary gearing. Set the Auxiliary Countershaft Rear Bearings in the 3" holes.

Set the assembled Auxiliary Mainshaft between the Countershafts with the timing marks aligned.

### Special Tools

- RR1002TR Auxiliary Countershaft Support Straps



# Transmission Overhaul Procedures - Bench Service

---



## Procedure -

1. Place the Countershaft Assembly vertical on a clean, flat surface. If previously removed, use the proper Driver and Maul to install the Countershaft Bearings.
2. Mark each Countershaft for correct timing. Locate the "O's" stamped on the Countershaft and mark the teeth with highly visible Toolmaker's Dye or paint.



3. Place the Countershafts in the fixture or on a flat surface for reassembly. Turn the Countershafts so that the two teeth marked on each LO Range Gear are towards the middle. Refer to Timing Procedure on page 57.



4. Align the Output Shaft between the Countershafts, match the timing marks.



5. With Range Yoke offset side facing down, install into the Synchronizer Sliding Slot.
6. Place the Auxiliary Housing over the Countershaft Assemblies and the Output Shaft Assembly.

# Transmission Overhaul Procedures - Bench Service

7. Make sure the Output Shaft Bearing Spacer is on the Output Shaft.
8. Heat the rear Output Bearing Cone and install the Bearing, tapered side down, on the Shaft.
9. Position a new gasket on the Rear Bearing Cover mounting surface.



10. Position the Rear Bearing Cover.
11. Apply Eaton® Fuller® Sealant #71205 or equivalent to the Retaining Cap Screws.
12. Install the six (6) Retaining Cap Screws in the non-chamfered hole, torque to 35–45 lb-ft (47.45–61.01 N•m).



13. Install the Bearing Races.



14. Install each Auxiliary Countershaft Retaining Strap with 2-3/8" NC x 1" and 1-3/8" NC x 2-1/2" clean Cap Screws.

**Note:** Do not use an Air Gun. Tighten by hand until the Cap Screws are snug.



# Transmission Overhaul Procedures - Bench Service

---

## How to Disassemble the Splitter Gear Bearing Assembly

### Special Instructions

Make sure to use the proper Drivers for the Bearing and Sleeve.

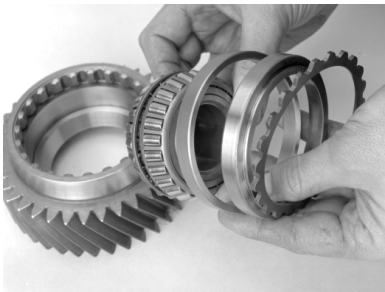
### Special Tools

- 3.30" diameter Bearing Driver

### Procedure -



1. Remove the Internal Snap Ring.



2. Remove the Splined Washer.
3. Remove the Rear Bearing Race using the proper Bearing Driver.
4. Remove the Bearing Spacer.
5. Remove the Bearing.



6. Remove the Front Bearing Race using the proper Driver.

7. If damaged, remove the Bearing Sleeve.

## How to Assemble the Splitter Gear Bearing Assembly

### Special Instructions

Make sure to use the proper Drivers for the Bearing and Sleeve.

When installing the Inner Bearing Sleeve, it must be flush with the Bearing.

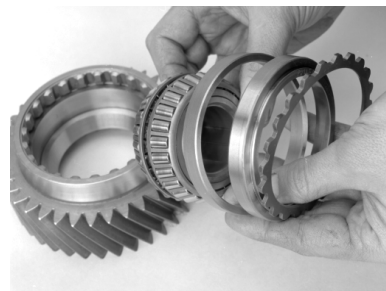
The Splitter Gear Cups and Cones are matched — do not mix.

### Special Tools

- 3.30" Diameter Bearing Driver

### Procedure -

1. If removed, install the Bearing Sleeve.
2. Install the Front Bearing Race.
3. Turn the Splitter Gear over and position the Bearing against the Front Bearing Race.
4. Install the Bearing Spacer.
5. Install the Rear Bearing Race using the proper Bearing Driver.
6. Install the Splined Washer.
7. Install the Internal Snap Ring.



# Transmission Overhaul Procedures - Bench Service

---

## How to Remove the Auxiliary Drive Gear Assembly

### Special Instructions

Before removing the Auxiliary Drive Gear, the Auxiliary Section must be removed.

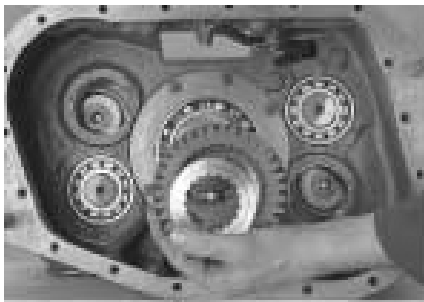
### Special Tools

- Large pair of Snap Ring Pliers
- Brass Maul
- Crow's Foot

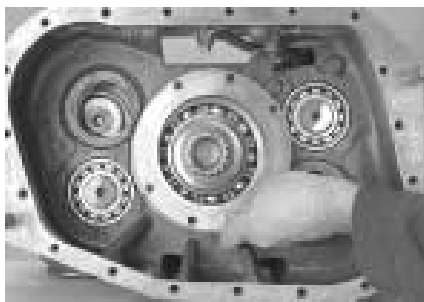


### Procedure -

1. Remove the Mainshaft rear groove Snap Ring.



2. Remove the Auxiliary Drive Gear and Washer from the Mainshaft.



3. Remove the Auxiliary Bearing Retainer Ring Cap Screws and Bearing Retainer Ring.
4. From the Mainshaft, remove the Splined Washer.
5. From inside the Case, carefully tap the Auxiliary Bearing rearward.

# Transmission Overhaul Procedures - Bench Service

---

6. Use a Crow's Foot and work the Bearing out of the Bore.
7. Inspect the Bearing and Spacer. If the parts have been damaged, press the Spacer out of the Bearing and replace the parts.



# Transmission Overhaul Procedures - Bench Service

---

## How to Remove the Clutch Housing (with Internal Oil Tube)

### Special Instructions

Removal of the Clutch Housing is performed in the horizontal position.

The Clutch Release Mechanism must be removed.

Some early production models do not have an Oil Tube behind the Clutch Housing. For these models, skip step 5.

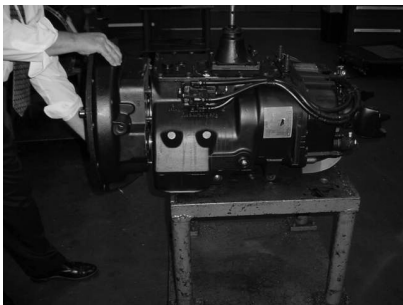
### Special Tools

- Typical Service Tools



### Procedure -

1. From inside the Clutch Housing, remove the Nuts and Washers.
2. From inside the Clutch Housing, remove the Cap Screws.
3. Jar Clutch Housing to break Gasket seal.



4. Pull the Clutch Housing from the studs and Transmission Case.
5. If Oil Tube is not being removed skip to step 10.



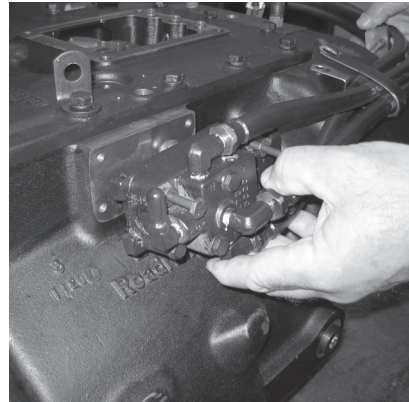
6. Remove Oil Tube.



# Transmission Overhaul Procedures - Bench Service

---

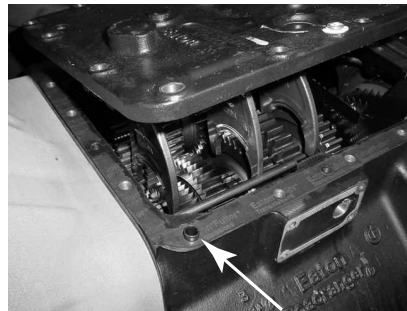
7. Remove Slave Valve.



8. Remove Interlock parts (Pin, Spring, and Sleeve).



9. Remove Shift Bar Housing.



# Transmission Overhaul Procedures - Bench Service

---

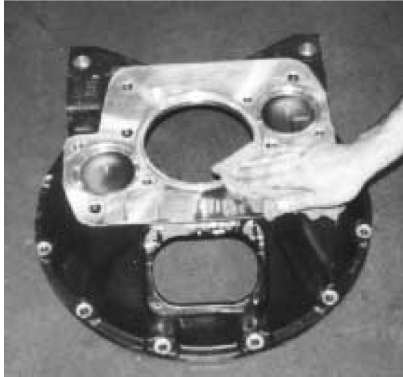


10. Remove the gasket and clean all mounting surfaces of gasket material.

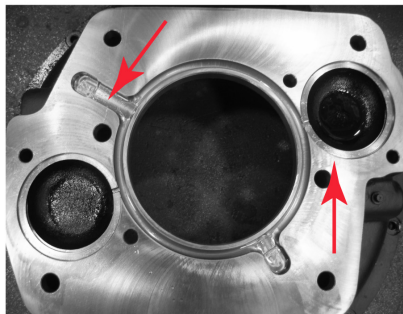
a. Without Oil Tube channel (Old style)

b. With Oil Tube channel (New style)

**Note:** Clutch Housing with Oil Channel can be used on Transmissions without the Oil Tube.



*Old Style*



*New Style*

# Transmission Overhaul Procedures - Bench Service

## How to Disassemble the Upper Reverse Idler Gear Assembly

### Special Instructions

Before the upper Reverse Idler Gear Assembly can be removed, Mainshaft Reverse Gear must be positioned forward against the next Gear.

While removing the Reverse Idler Shaft, the Thrust Washer can drop to the Transmission case bottom.

The Mainshaft Reverse Gear must be moved in order to remove the upper Reverse Idler Gear.

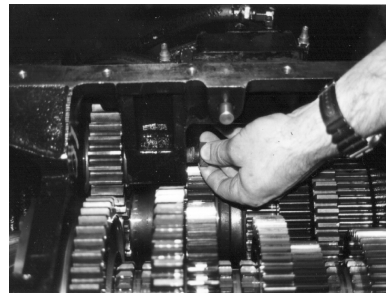
### Special Tools

- RR1010TR Slide Hammer

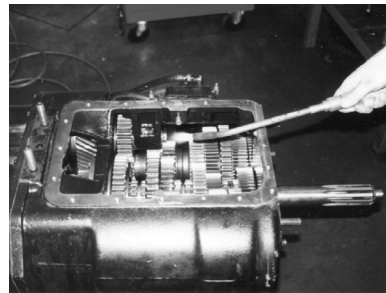
### Procedure -

1. Remove Retaining Bolt from the Idler Shaft.

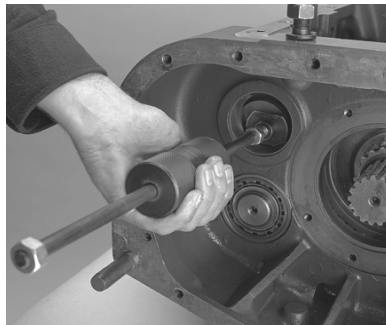
**Note:** If Idler Shaft spins in Case Bore, slightly heat bolt with torch to release loctite adhesive.



2. The Mainshaft Reverse Gear must be moved in order to remove the Upper Reverse Idler Gear. Remove Reverse Gear Snap Ring and slide Reverse Gear forward over Clutch.
3. Remove the loosened bolt and remove washer. Reinstall bolt 3-4 threads.

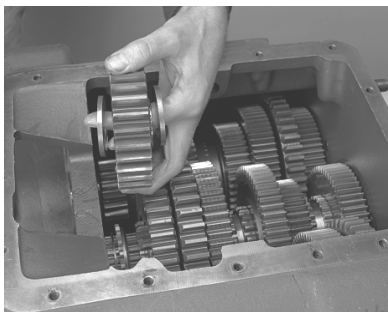


4. Install an Impact Puller, 1/2"-13 threaded end, and remove the Shaft from Case Bore.



## Transmission Overhaul Procedures - Bench Service

---



5. As the Idler Shaft and Idler Plate are removed, remove the Thrust Washers and Gear.



6. Inspect the Reverse Gear Assembly, remove the Inner Race and Needle Bearing, if damaged.

# Transmission Overhaul Procedures - Bench Service

## How to Disassemble the Lower Reverse Idler Gear Assembly

### Special Instructions

Before the Lower Reverse Idler Gear Assembly can be removed the Mainshaft and Countershaft Assemblies must be removed.

While removing the Reverse Idler Shaft, the Thrust Washer can drop to the Transmission Case bottom.

### Special Tools

- Typical Service Tools
- Jaw Pullers or Impact Puller
- Soft Bar and Maul

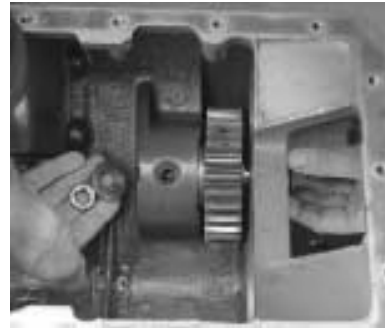
### Procedure -

1. Remove Retaining Bolt from the Idler Shaft.

**Note:** If Idler Shaft spins in Case Bore, slightly heat bolt with torch to release loctite adhesive.

2. Remove the loosened bolt and remove washer. Reinstall bolt 3-4 threads.
3. Install an Impact Puller, 1/2"-13 threaded end, and remove the Shaft from Case Bore.
4. As the Idler Shaft and Idler Plate are removed, remove the Thrust Washers and Gear.

5. Inspect the Reverse Gear Assembly, remove the Inner Race and Needle Bearing, if damaged.



# Transmission Overhaul Procedures - Bench Service

---

## How to Remove the Upper and Lower Countershaft Bearings

### Special Instructions

The following instructions are used to remove the Upper and Lower Countershaft Bearings. To remove the Mainshaft Assembly, only the Upper Countershaft Bearings need to be removed.

Performing the following instructions will damage the bearings and should not be done unless bearing replacement is planned.

The Bearing Inner Race remains pressed on the Countershaft after removal of the Front Bearings.

### Special Tools

- RR1019TR Hand Maul
- RR1020TR Soft Bar
- RR1012TR Bearing Puller



### Procedure -

1. To keep the Mainshaft Pilot from falling out of the Input Shaft pocket, temporarily install the Auxiliary Drive Gear on the Mainshaft.
2. From each Countershaft Rear Groove, remove the Snap Ring.
3. Remove six Cap Screws from Front Bearing Cover and remove Front Bearing Cover.

**CAUTION**

**Damage will likely occur to this bearing during removal. It is strongly recommended that this bearing is discarded.**

4. From inside the case, use a Soft Bar and Maul to drive the Countershaft Rear Bearings rearward off the shaft.



# Transmission Overhaul Procedures - Bench Service

---

5. From the front of each Countershaft, remove the Cap Screw and front Retainer Plate.
6. Use the Soft Bar and Maul to drive each Countershaft to the rear as far as possible. This partially unseats the Front Bearings.
7. Return to the case rear, and drive each Countershaft forward as far as possible. This exposes the External Snap Ring.



8. Use the RR1012TR Bearing Puller to remove the Countershaft Front Bearings.



# Transmission Overhaul Procedures - Bench Service

---

## How to Remove the Mainshaft Assembly

### Special Instructions

None

### Special Tools

- RR1004TR Mainshaft Lifting Hook
- RR1022TR Countershaft Support Tool



### Procedure -

1. With the Upper Countershaft Bearings removed, support the Countershaft Assembly with a RR1022TR Support Tool.



2. Insert the RR1004TR Mainshaft Hook around the Mainshaft Assembly.

**Note:** Keep the Upper Countershaft forward against the Case front wall.

**WARNING**

**Be careful when removing the Mainshaft Assembly. The Sliding Clutch on the front and the Reverse Gear on the back can slip off the shaft.**

3. Pull the Mainshaft to the rear to free the pilot from the Input Shaft pocket.



4. Tilt the Mainshaft front up and lift the Assembly from the Case.



# Transmission Overhaul Procedures - Bench Service

## How to Remove the Countershaft Assemblies

### Special Instructions

Except for the PTO gears, the Upper and Lower Countershaft Assemblies are the same. Mark the Countershafts as UPPER or LOWER as you remove them.

The Mainshaft and Main Drive Gear must be removed before removing the Countershaft Assemblies.

### Special Tools

- RR1012TR Countershaft Bearing Puller
- RR1019TR Hand Maul
- RR1020TR Soft Bar

### Procedure -

1. Remove the Rear Snap Ring from the Rear Upper Countershaft Bearing.



2. From inside the case, use a long Soft Bar to drive the Upper Countershaft Rear Bearing rearward off the Shaft.

**Note:** Damage will likely occur to this bearing during removal. It is strongly recommended that this bearing is discarded.



3. Remove the Cap Screw and the Retainer from the Upper Countershaft front.

4. Slide the Lower Countershaft forward. This will move the Front Bearing forward to expose the External Snap Ring.



# Transmission Overhaul Procedures - Bench Service

---



5. Use the RR1012TR Countershaft Bearing Puller to remove the Lower Front Bearing from its Bore.
6. Move the Upper Countershaft to the rear until the Front Bearing Journal clears the Front Case Bore.



7. Swing the front of the Countershaft to the center of the Case, and lift out the Countershaft Assembly.

**Note:** Follow the same procedure for Lower Countershaft removal.

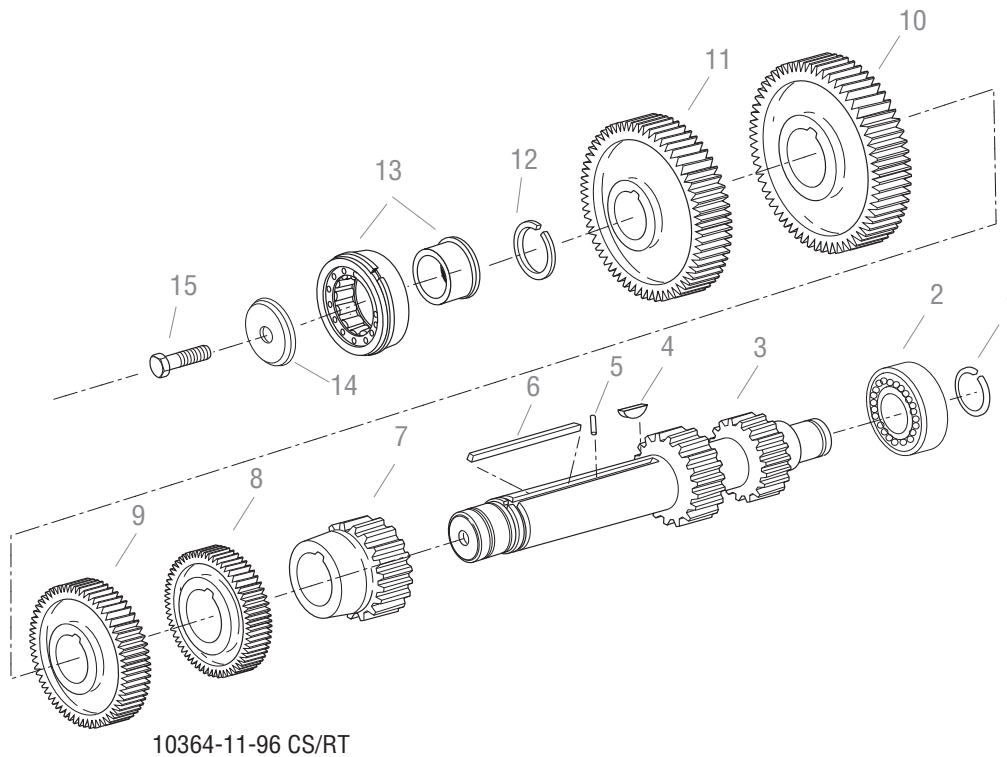
## How to Disassemble the Countershaft Assemblies

### Special Instructions

As you disassemble the Countershafts, mark each part as belonging to the Upper or Lower Countershaft and mark the gears for front or back orientation.

Except for the PTO Gears, the Upper and Lower Countershaft Assemblies are identical and disassembled in the same manner.

### Special Tools



- |                                     |                  |
|-------------------------------------|------------------|
| 1. Snap Ring                        | 8. Gear          |
| 2. Bearing                          | 9. Gear          |
| 3. Countershaft with Reverse and LO | 10. PTO Gear     |
| 4. Key                              | 11. Drive Gear   |
| 5. Roll Pin                         | 12. Snap Ring    |
| 6. Key                              | 13. Bearing      |
| 7. Gear                             | 14. Retainer Kit |
|                                     | 15. Cap Screw    |

# Transmission Overhaul Procedures - Bench Service

---

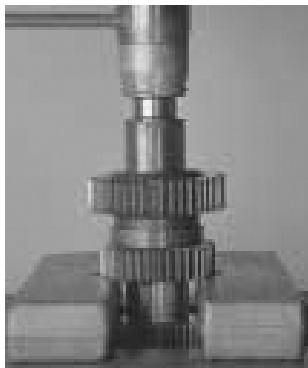


## Procedure -

**CAUTION**

**NEVER USE THE PTO GEAR AS A PRESSING BASE. The narrow face width of this gear makes it very susceptible to breakage**

1. Remove the front Countershaft Snap Ring.
2. Place the Countershaft in the Press as shown. Using the rear face of 3rd/Overdrive Speed Gear as a base, press the Drive Gear, PTO Gear, and 3rd/Overdrive Speed Gear from each Countershaft. This removes the Front Bearing Inner Race from the Countershaft.
3. Position the Countershaft in the Press as shown. Press the next two gears from the Shaft.
4. Inspect the Keys and Roll Pin. Remove and replace if damaged.



## How to Remove the Input Shaft and Main Drive Gear

### Special Instructions

None

- **Special Tools**

- RR1023TR Input Bearing Puller
- RR1019TR Hand Maul
- RR1020TR Soft Bar

### Procedure -

1. From the Front Bearing Cover, remove the six (6) Retaining Cap Screws and Cover. Remove any remaining gasket material from the Case and Cover.
2. If present, remove and discard the Rubber Seal Ring on the Input Shaft. The Ring is used only to seal the Transmission during shipment.
3. From the Input Shaft groove, remove the Bearing Retaining Snap Ring.

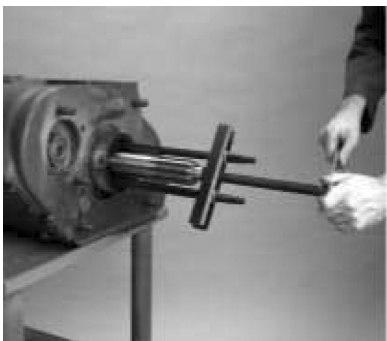


## Transmission Overhaul Procedures - Bench Service

---



4. Use a Maul to drive the Input Shaft toward the case rear as far as possible. Pull the Input Shaft forward.



5. Install the RR1023TR Input Bearing Puller and remove the Input Bearing from the Case and Input Shaft or use Pry Bars or Screwdrivers to complete removal of the Bearing.

6. From the Drive Gear front, remove Drive Gear Spacer.



7. Remove the Drive Gear Internal Snap Ring.

# Transmission Overhaul Procedures - Bench Service

---

8. Pull the Input Shaft forward and out of the Drive Gear.

9. From inside the Case, remove the Drive Gear.



10. Inspect the bushing in the Input Shaft pocket, replace if damaged.



# Transmission Overhaul Procedures - Bench Service

---

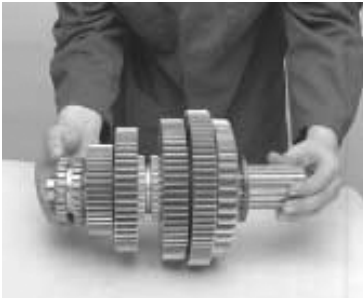
## How to Disassemble the Mainshaft Assembly

### Special Instructions

Lay all parts on a clean bench in order of removal to facilitate assembly.

### Special Tools

- Typical Service Tools



### Procedure -

1. Lay the Mainshaft on its side, and from the front, remove the 4th (or Overdrive) and 5th Sliding Clutch.



2. Place the Mainshaft in a vertical position, pilot end down.
3. Remove Snap Ring (if applicable).



4. Remove Key, Washer, and Reverse Gear. Mark Keyway location.  
**Note:** When removing washer and Reverse Gear, note their orientation. Keep the Washer with the Reverse Gear.
5. Remove the 1st and Reverse Sliding Clutch.



# Transmission Overhaul Procedures - Bench Service

---

6. Remove the Offset Washer and 1st Gear.

7. Remove the Flat Washer and 2nd Gear.



8. Remove the Offset Washer and Sliding Clutch.

9. Remove the Offset Washer and 3rd Gear.

10. Remove the Flat Washer.



11. Remove the 4th or Overdrive Gear.

12. Remove the Offset Washer.



# Transmission Overhaul Procedures - Bench Service

---

## How to Disassemble the Mainshaft Assembly with Low Force Gearing

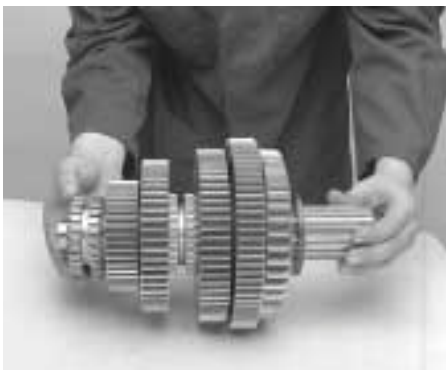
### Special Instructions

The design of the Mainshaft with Low Force Gearing is slightly different from the standard Mainshaft. It still utilizes Non-Selective (non-adjustable) Tolerance Washers, but the 1st and Reverse Gears and Sliding Clutch have been redesigned. In this configuration, the 1st/Reverse Sliding Clutch rides on a Clutch Hub, and the 1st and Reverse Gears have been redesigned to accommodate this change.

Lay all parts on a clean bench in order of removal to facilitate assembly.

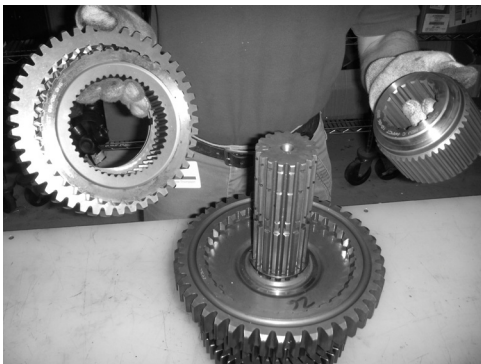
### Special Tools

- Typical Service Tools

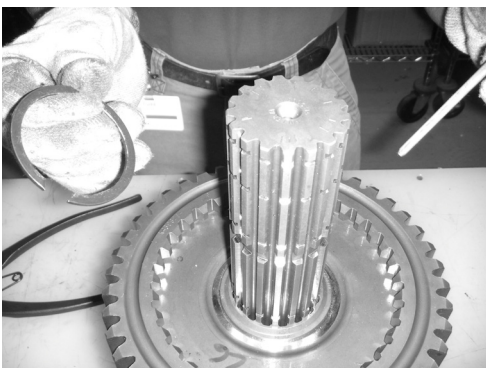


### Procedure -

1. Lay the Mainshaft on its side, and from the front, remove the 4th (or Overdrive) and 5th Sliding Clutch.



2. Place the Mainshaft in a vertical position, pilot end down. Remove the Reverse Gear, Clutch Hub, and Sliding Clutch.

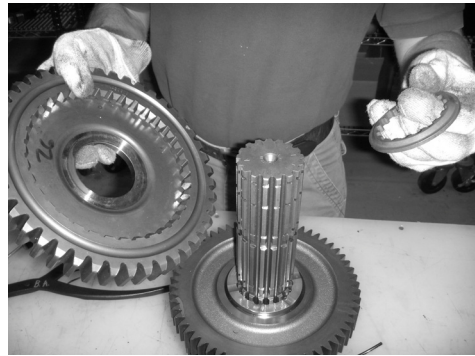


3. Remove the Snap Ring and Key. Mark Keyway location.

# Transmission Overhaul Procedures - Bench Service

---

4. Remove the Offset Washer and 1st Gear.



5. Remove the Flat Washer and 2nd Gear.



6. Remove the Offset Washer and Sliding Clutch, and then remove the Offset Washer and 3rd Gear.



7. Remove the Flat Washer, remove the 4th or Overdrive Gear, and remove the Offset Washer.



# Transmission Overhaul Procedures - Bench Service

---

## How to Assemble the Mainshaft Assembly with Selective (Adjustable) Thickness Tolerance Washers

### Special Instructions

There are three distinct Mainshaft Washer and Mainshaft Key designs. They are (listed from oldest design to newest design):

- a. Six (6) sided Mainshaft Key with Selective (adjustable) Thickness Tolerance Washers.
- b. Three (3) sided Mainshaft Key with Selective (adjustable) Thickness Tolerance Washers.
- c. Three (3) sided Mainshaft Key with Non-Selective (non-adjustable) Tolerance Washers.

**Note:** Between 1993 and 1996, some models were produced with a mixture of Selective Thickness Washers and Non-Selective Tolerance Washers on the same Mainshaft.

**Note:** The proper Mainshaft Key must always be used with the proper design Mainshaft Washers. If necessary, refer to the Parts Manual for your specific model to confirm the proper parts.

**Note:** Previous design levels can be updated to the current design.

Each Mainshaft Gear must have its inside Snap Ring installed before placement on the Mainshaft. Do not install Reverse Gear Inside Snap Ring at this time.

Gear Tolerance Washers are internally splined and locked to the Mainshaft by the Key. Gear Spacers are externally splined to engage with Gear Hub Clutching teeth. There is one Tolerance Washer and one Spacer for each Mainshaft Gear.

Axial Clearance (end-play) limits are 0.006–0.015" for all Mainshaft Gears.

If the Axial Clearance is less than the minimum 0.006" tolerance, the Tolerance Washer should be replaced with a thinner Tolerance Washer. This will increase the Axial Clearance between the gears. If the Axial Clearance is greater than the maximum 0.015" tolerance, a thicker Tolerance Washer should be installed. This will decrease the Axial Clearance between the gears.

If necessary, refer to the Parts Manual for your specific Transmission model to determine the correct position of each Mainshaft Gear.

The Mainshaft you are using may have 3 grooves in certain gear positions. The middle groove is not used with the Selective Washer design.

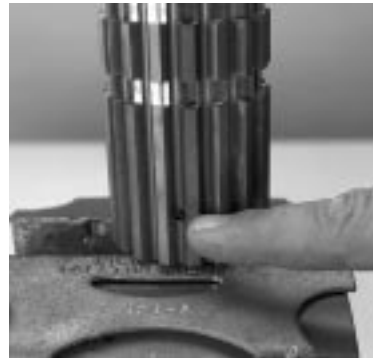
### Special Tools

- A piece of 5/32" Air Line, 1' long
- Vise with brass jaws

# Transmission Overhaul Procedures - Bench Service

## Procedure -

1. With Mainshaft pilot-end down, secure the Mainshaft in a Vise equipped with brass jaws or wood blocks.
2. If previously removed, install the Roll Pin in Keyway.
3. With the washer flat side up, position a gear Tolerance Washer (white) in the Mainshaft 1st or bottom groove. Rotate the washer until the Washer Splines and Mainshaft Splines align.
4. Start at the Mainshaft bottom and install a 1/8" or 5/32" diameter plastic line in the Keyway to lock the washer in place. As Limit Washers and Gears are installed, continue to push the plastic line up.
5. Against the 4th Speed Gear Washer, position a Spacer Washer against the Tolerance Washer.
6. With Clutching teeth down and engaged with the Spacer external Splines, position the proper Gear on the Mainshaft. If necessary, refer to the illustrated parts list to determine Gear order.
7. With Clutching teeth up and against this gear, install the next Gear and Spacer Washer.



# Transmission Overhaul Procedures - Bench Service

---



8. With the washer flat side down, position a Tolerance Washer against the Spacer. Rotate the washer until the Washer Splines and Mainshaft Splines align.
9. Push the Air Line up to lock the washer on the Mainshaft.



10. Insert two large Screwdrivers between the two gears. Apply slight downward pressure to spread the gears evenly. Between the Gear Hub and Mainshaft Spacer, insert 0.006" Feeler Gauge and 0.015" Feeler Gauge. If out of tolerance, change the washer against the Mainshaft Spacer.



11. With the missing Internal Splines aligned with the plastic line, install a Sliding Clutch.



12. With the washer flat side up, position Tolerance Washer (white) in the next available groove. Rotate the washer until the Washer Splines and Mainshaft Splines align.
13. Push the Air Line up to lock the washer on the Mainshaft.
14. Install a Gear Spacer.

# Transmission Overhaul Procedures - Bench Service

---

15. With Clutching teeth down, position the next Gear on the Mainshaft engaging with Spacer external Splines.



16. With Clutching teeth up, install the next Gear on Shaft against the previously positioned gear.



17. Position another Spacer against the previously positioned gear, engaging the Spacer External Splines with Gear Clutching teeth.



18. With washer flat side down, position the Tolerance Washer against the Spacer. Rotate the washer until the Washer Splines and Mainshaft Splines align.

19. Push the Air Line up to lock the washer on the Mainshaft.

20. Insert two large Screwdrivers between the two gears. Apply slight downward pressure to spread the gears evenly. Between the Gear Hub and Mainshaft Spacer, insert 0.006" Feeler Gauge and 0.015" Feeler Gauge. If out of tolerance, change the washer against the Mainshaft Spacer. Refer to information before stepped procedures for further information.



# Transmission Overhaul Procedures - Bench Service

---



21. Align the Sliding Clutch missing internal Spline with the Mainshaft Key and install the Reverse Speed Sliding Clutch.
22. With the flat side up, place a washer (blue or white) in the next available groove. Rotate the washer until the Washer Splines and Mainshaft Splines align.
23. Push the Air Line up to lock the washer on the Mainshaft.
24. Against the Tolerance Washer, position Reverse Speed Gear Spacer.



25. Install Reverse Gear on the Mainshaft. Engage the Gear Clutching teeth with Spacer External Splines and Sliding Clutch. Move the Reverse Gear down against the 1st Speed Gear.



26. At this time remove the Air Line and insert the Mainshaft Key. Be careful not to move the gears while doing this procedure, the Tolerance Washers are unlocked and can rotate which would cause the gears to drop.



27. Remove the Mainshaft from the Vise.
28. On the shaft front, align the Sliding Clutch missing internal Spline with the Mainshaft Key and install the front Sliding Clutch. Engage the Sliding Clutch external Splines with the gear Clutching teeth.



# Transmission Overhaul Procedures - Bench Service

---

## 29. Washers for 6-Sided Key

<b>Part</b>	<b>Size</b>	<b>Color</b>
14711	0.248–0.250	White
14712	0.253–0.255	Green
14713	0.258–0.260	Orange
14714	0.263–0.265	Purple
14715	0.268–0.270	Yellow
14716	0.273–0.275	Black

## 30. Washers for 3-Sided Key

<b>Part</b>	<b>Size</b>	<b>Color</b>
4300830	0.244	Blue-Light Blue
4300382	0.249	White-Light
4300383	0.254	Green-Light
4300384	0.259	Orange-Light
4300385	0.264	Purple-Light
4300386	0.269	Yellow-Light
4300387	0.274	Black-Light Blue

# Transmission Overhaul Procedures - Bench Service

---

## How to Assemble the Mainshaft Assembly with Non-Selective (Non-Adjustable) Tolerance Washers

### Special Instructions

The proper Mainshaft Key must always be used with the proper design Mainshaft Washers. If necessary, refer to the Parts Manual for your specific model to confirm the proper parts.

Previous design levels can be updated to the current design.

### Special Tools

- A piece of 5/32" Air Line, 1" long
- Vise with brass jaws



### Procedure -

1. With Mainshaft pilot-end down, secure the Mainshaft in a Vise equipped with brass jaws or wood blocks.
2. If previously removed, install the Roll Pin in Keyway.
3. With Mainshaft pilot-end down, install Offset Washer (flat surface up). Rotate the washer until the Washer Splines and Mainshaft Splines align.
4. Start at the Mainshaft bottom and install a plastic line in the marked Keyway to lock the washer in place.
5. With Clutching teeth down, position the proper gear on the Mainshaft. Refer to the illustrated parts list for correct gear.
6. Install the Flat Washer. Rotate the washer until the Washer Splines and Mainshaft Splines align.

# Transmission Overhaul Procedures - Bench Service

---

7. With Clutching teeth up and against the spacer, install the next Gear.
8. Position the Offset Washer (flat surface down) against the gear. Rotate the washer until the Washer Splines and Mainshaft Splines align.



9. Push the Air Line up to lock the washers on the Mainshaft.
10. With the missing internal Splines aligned with the plastic line, install the proper Sliding Clutch.



11. Position the next Offset Washer in the next available groove. Rotate the washer until the Washer Splines and Mainshaft Splines align.
12. Push the Air Line up to lock the washer on the Mainshaft.
13. With Clutching teeth down, position the next proper gear on the Mainshaft.



14. Position the Flat Washer against the gear. Rotate the washer until the Washer Splines and Mainshaft Splines align.



# Transmission Overhaul Procedures - Bench Service

---



15. With Clutching teeth up, install next Gear on the Shaft against previously installed Gear.



16. Position the Offset Washer (flat surface down) against the Gear. Rotate the Washer until the Washer Splines and Mainshaft Splines align.

17. Push the Air Line up to lock the Washer on the Mainshaft.

18. With the missing internal Splines aligned with the plastic line, install the Reverse Sliding Clutch.

19. Install the Reverse Gear Offset Washer in the last groove.



20. From the Mainshaft rear, install the Mainshaft Key into the Spline with the Air Line. Pull the Air Line from the Spline while installing the Key.

21. Install the Reverse Gear Spacer Washer (with external Spline teeth) over the Mainshaft rear and against the Offset Washer.

**Note:** Some models, the Reverse Gear Offset Washer has a large chamfer machined in the backside. This special Offset Washer must be used in this position. The large chamfer faces rearward.

22. From the rear, install the Reverse Gear over the Sliding Clutch teeth.

23. Install the Snap Ring in the Mainshaft groove.

**Note:** Some models do not use a Snap Ring at this position.

24. Remove the Mainshaft from the Vise and lay on its side.

25. Install the front Sliding Clutch into position.

## How to Assemble the Mainshaft Assembly with Low Force Gearing

### Special Instructions

The design of the Mainshaft with Low Force Gearing is slightly different from the standard Mainshaft. It still utilizes Non-Selective (non-adjustable) Tolerance Washers, but the 1st and Reverse Gears and Sliding Clutch have been redesigned. In this configuration, the 1st/Reverse Sliding Clutch rides on a Clutch Hub and the 1st and Reverse Gears have been redesigned to accommodate this change.

The proper Mainshaft Key must always be used with the proper design Mainshaft Washers. If necessary, refer to the Parts Manual for your specific model to confirm the proper parts.

### Special Tools

- A piece of 5/32" Air Line, 1" long
- Vise with brass jaws

### Procedure -

1. With Mainshaft pilot-end down, secure the Mainshaft in a Vise equipped with brass jaws or wood blocks.
2. If previously removed, install the Roll Pin in Keyway.



3. With Mainshaft pilot-end down, install Offset Washer (flat surface up). Rotate the washer until the Washer Splines and Mainshaft Splines align.
4. Start at the Mainshaft bottom and install a plastic line in the marked Keyway to lock the washer in place.



5. With Clutching teeth down, position the 4th gear on the Mainshaft.
6. Install the Flat Washer. Rotate the washer until the Washer Splines and Mainshaft Splines align.



# Transmission Overhaul Procedures - Bench Service

---



7. With Clutching teeth up and against the Spacer, install the 3rd Gear.

8. Position the Offset Washer (flat surface down) against the Gear. Rotate the washer until the Washer Splines and Mainshaft Splines align.



9. Push the Air Line up to lock the washers on the Mainshaft.

10. With the missing internal Splines aligned with the plastic line, install the proper Sliding Clutch.



11. Position the next Offset Washer in the next available groove. Rotate the washer until the Washer Splines and Mainshaft Splines align.

12. Push the Air Line up to lock the washer on the Mainshaft.

13. With Clutching teeth down, position the 2nd Gear on the Mainshaft.



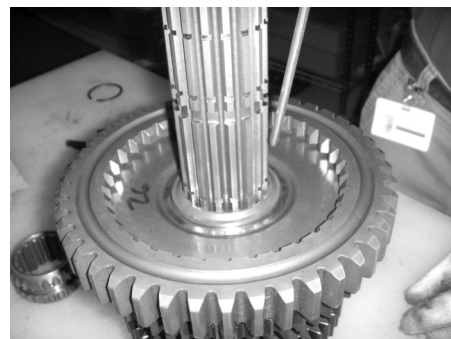
14. Position the Flat Washer against the Gear. Rotate the washer until the Washer Splines and Mainshaft Splines align.

# Transmission Overhaul Procedures - Bench Service

15. With Clutching teeth up, install the 1st Gear on the Shaft against previously installed Gear.



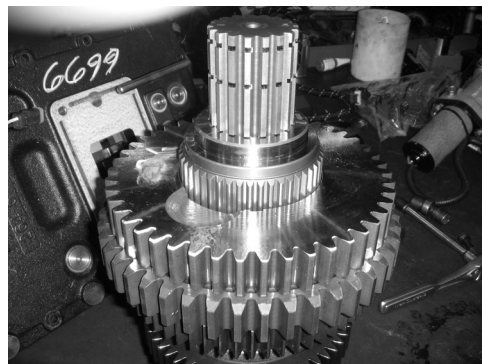
16. Position the Offset Washer (flat surface down) against the Gear. Rotate the Washer until the Washer Splines and Mainshaft Splines align.
17. From the Mainshaft rear, install the Mainshaft Key into the Spline with the Air Line. Pull the Air Line from the Spline while installing the Key.



18. Install the Snap Ring in the Mainshaft groove.
19. Install the 1st/Reverse Sliding Clutch.



20. Install the Clutch Hub with the bezel facing up.
21. Install the Reverse Gear.
22. Remove the Mainshaft from the Vise and lay on its side. Install the front Sliding Clutch into position.



# Transmission Overhaul Procedures - Bench Service

---

## **How to Prepare the Main Case for Assembly**

Thoroughly clean Main Case of metal particles. Remove the gasket material from flange surfaces. Inspect flange surfaces for damage. Inspect Bearing Bores for damage or excessive wear. Replace as necessary.

If necessary, replace any damaged or worn Clutch Housing or rear support studs. Apply Eaton® Fuller® Thread Sealant #71205 or equivalent to any replacement studs before installing them.

Verify the three Magnetic Discs are firmly attached to the bottom of the Main Case. If they are not firmly attached, apply 3M Scotch Grip or equivalent adhesive to the bottom of the Discs and attach them to the Main Case.



## How to Assemble the Countershaft Assemblies

### Special Instructions

Except for the PTO Gears, the Upper and Lower Countershaft Assemblies are the same. To avoid confusion during installation, mark the Upper Countershaft (45-Tooth PTO Gear) with an "U". The Lower Countershaft has a 47-Tooth PTO Gear.

### Special Tools

- Snap Ring Pliers
- Press

### Procedure -

1. If previously removed, install the Keys in each Countershaft Keyway.



2. Align smallest diameter gear Keyway with the Countershaft Key, long hub to Countershaft front, and press the gear on the Countershaft.



3. Align 2nd smallest diameter gear Keyway with the Countershaft Key, long hub against 1st Speed Gear, and press the Gear on the Countershaft.



## Transmission Overhaul Procedures - Bench Service

---



4. Align 3rd smallest diameter gear Keyway with the Countershaft Key, long hub to Countershaft front, and press the Gear on the Countershaft.



5. Align PTO Gear Keyway with the Countershaft Key, bullet-nose of teeth facing up (shaft rear). Align Drive Gear Keyway with the Countershaft Key, long hub against PTO Gear, and press both Gears on the Countershaft.



6. On each Countershaft front, install the Drive Gear Retaining Snap Ring in groove.



7. Use a Flanged-Driver or the Press to install the Bearing Inner Race on the Countershaft Front against the Drive Gear.

**Note:** Make sure all Gears are pressed into place.

**Note:** Make sure the Bearing Inner Race is installed.

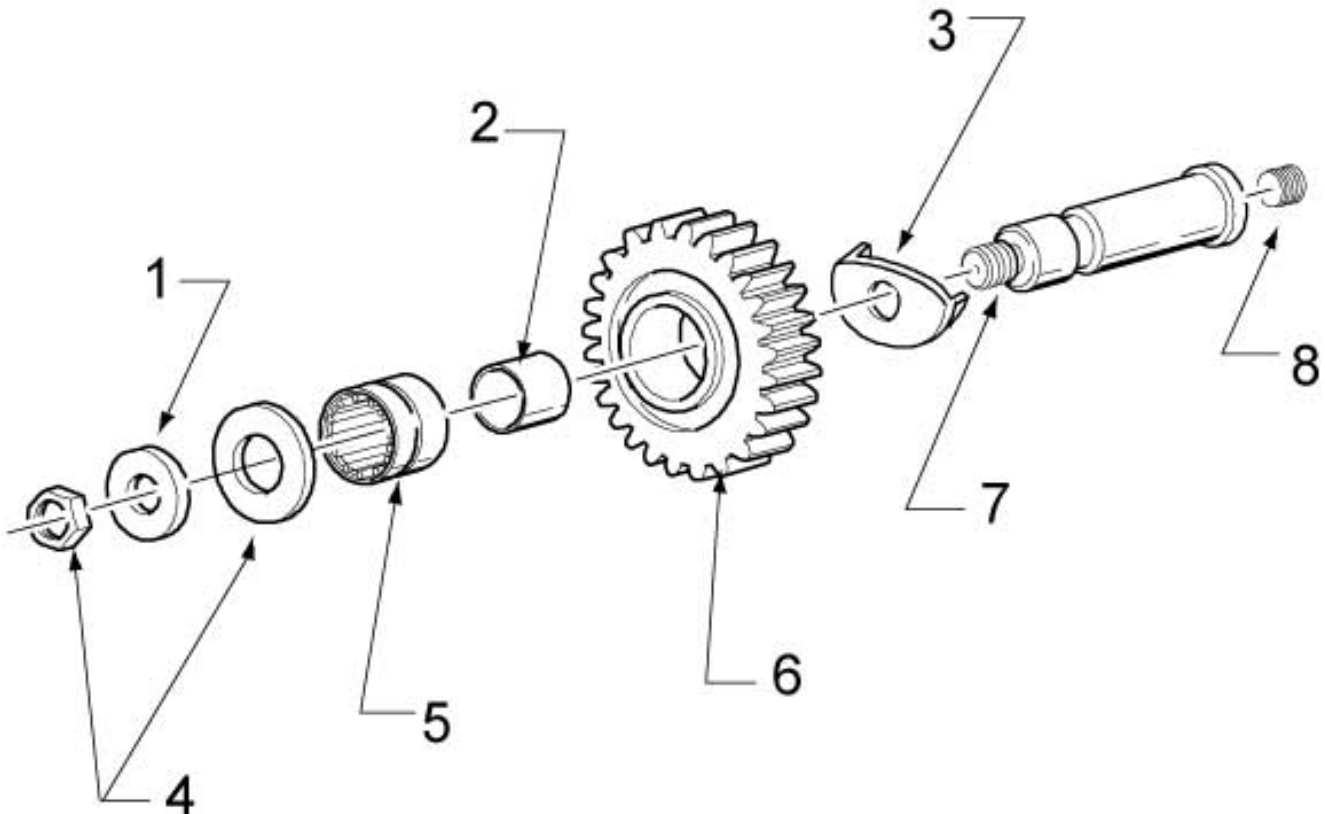
## How to Assemble the Lower Reverse Idler Gear Assembly

### Special Instructions

In 1996 Eaton® changed the Reverse Idler System design. In the Nut design, the Reverse Idler Bearing was lubricated through a hole in the Main Case Reverse Idler Support Boss and a oil passage through the Idler Shaft middle.

### Special Tools

### *Previous Design*

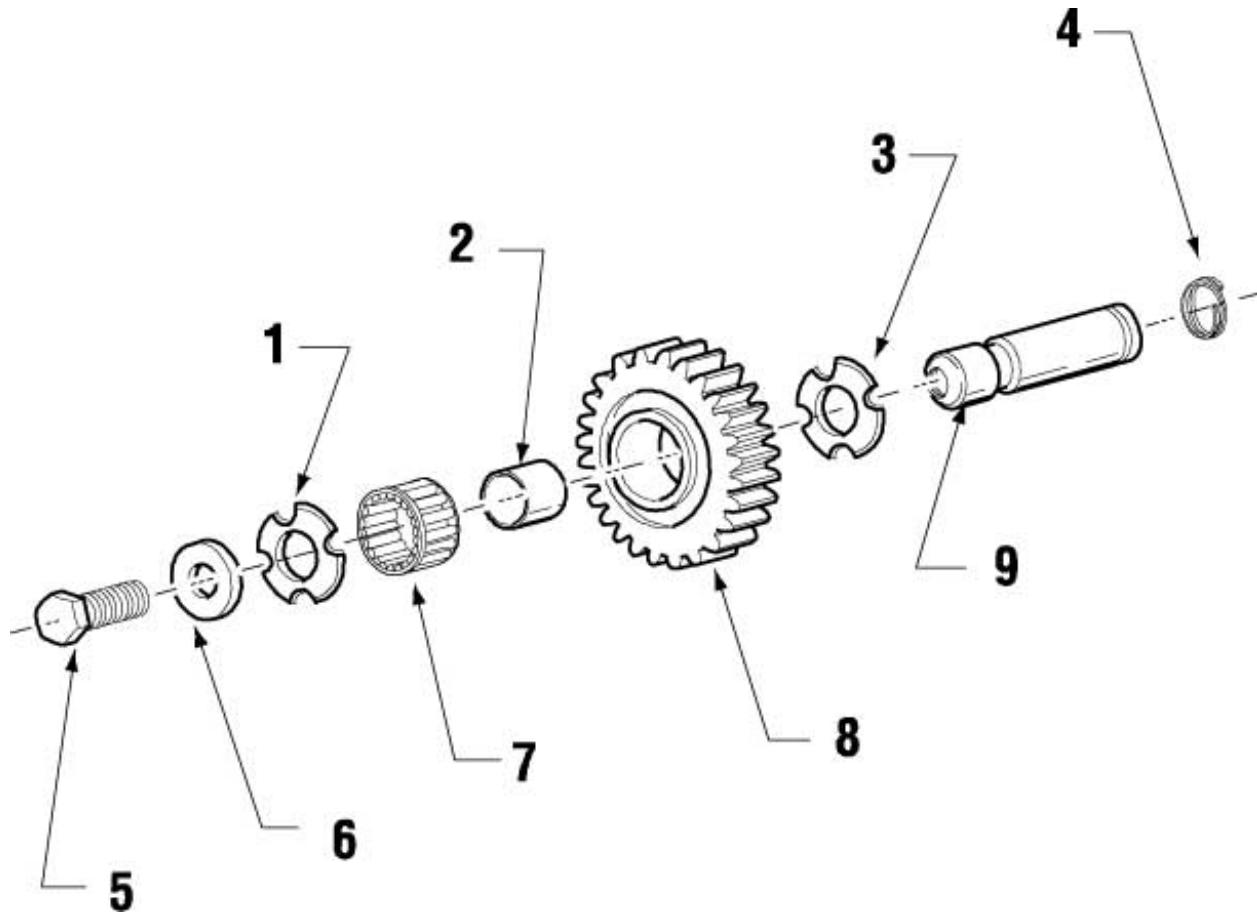


- |                   |                        |
|-------------------|------------------------|
| 1. Idler Plate    | 5. Bearing             |
| 2. Inner Race     | 6. Reverse Idler Gear  |
| 3. Washer         | 7. Reverse Idler Shaft |
| 4. Nut and Washer | 8. Plug                |

# Transmission Overhaul Procedures - Bench Service

The Cap Screw design eliminates the Case hole and Idler Shaft hole. The Reverse Idler Bearing is supplied oil through the use of star design Thrust Washers. If the Nut design parts are used with the Cap Screw design, where Main Case does not have the oil feed hole, the Reverse Idler Bearing will fail.

## ***Current Design***



- 1. Star Washer
- 2. Inner Race
- 3. Star Washer
- 4. Retaining Ring
- 5. Cap Screw
- 6. Idler Plate
- 7. Bearing
- 8. Reverse Idler Gear
- 9. Reverse Idler Shaft

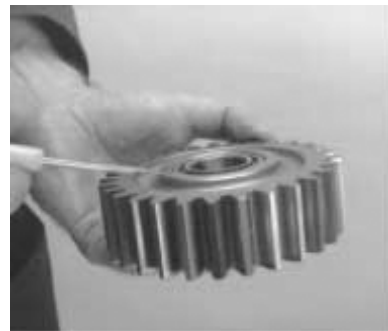
# Transmission Overhaul Procedures - Bench Service

## Procedure -

1. Position the Reverse Idler Bearing and Inner Race into the Reverse Idler Gear.



2. Position the gear in the Case. The Gear's long hub is positioned forward.



3. Place the Rear Thrust Washer on the Idler Shaft.



4. From the Case rear, insert the Idler Shaft through the Main Case Bearing Bore and into the Reverse Idler Gear Bearing.
5. As the Idler Shaft slides into the gear, insert the Front Thrust Washer into position. Continue sliding the Idler Shaft into the Case Support Boss.
6. From the rear, gently tap the Idler Shaft forward until resistance is felt.



## Transmission Overhaul Procedures - Bench Service

---



7. Install the Flat Washer over the Shaft's threaded portion.
8. Apply Eaton® Fuller® Sealant #71205 or equivalent. Install Cap Screw and torque to 67–75 lb-ft (90.84–101.69 N•m).
9. Using a Bearing Race Driver, install the Auxiliary Countershaft Bearing Race into the Lower Reverse Idler Bore.

**Note:** The Bearing Races have a slip fit in their Bores. They should slide or rotate easily into the Case Bore if they are not cocked.

# Transmission Overhaul Procedures - Bench Service

## How to Install Countershaft Assemblies

### Special Instructions

Make sure the Countershaft Assemblies have been marked for proper position, 47- tooth PTO gear in the lower position.

Prior to installing the Countershafts, the Lower Reverse Idler Gear Assembly should be installed. In addition, if the Transmission is equipped with an Internal Oil Pump, this should also be installed.

### Special Tools

- Toolmaker's Dye

### Procedure -

1. On the Drive Gear of each Countershaft Assembly, mark the tooth aligned with the gear Keyway and stamped with an "O" for easy identification. A highly visible color of Toolmaker's Dye is recommended for making timing marks.

**Note:** Prior to installing the Countershafts, the Lower Reverse Idler Gear Assembly should be installed. In addition, if the Transmission is equipped with an Internal Oil Pump, this should also be installed.



2. Place the lower, 47-tooth PTO gear Countershaft, into the Main Case with the Shaft seated in the Lower Countershaft Case Bores.

**Note:** Use a large hook or piece of rope to support the Countershaft if necessary.

3. Place the Upper Countershaft (with the 45 tooth PTO gear) into the Main Case with the Shaft seated in the Upper Countershaft Case Bores.



# Transmission Overhaul Procedures - Bench Service

---

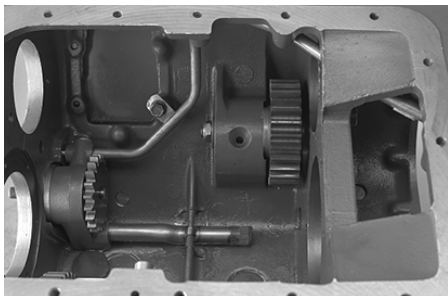
## How to Remove the Integral Oil Pump

### Special Instructions

None

### Special Tools

- Typical Service Tools



### Procedure -

1. Remove the Cap Screws holding the Suction and Auxiliary Oil Tubes in position.



2. Straighten Tube Lock on Suction Tube.



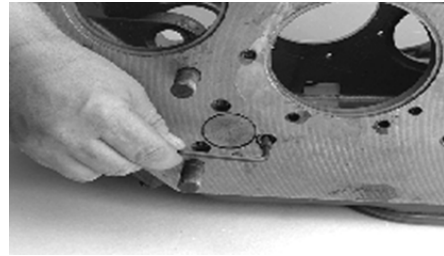
3. Remove Suction Tube from Oil Pump. If necessary, remove O-Ring from Suction Tube.



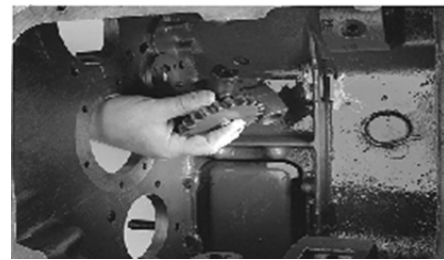
# Transmission Overhaul Procedures - Bench Service

---

4. Remove three (3) Allen Head Cap Screws and Washers that retain the Integral Oil Pump to the Case.



5. Remove the Integral Oil Pump Assembly from inside the Case.



6. Remove the Integral Oil Pump Retainer Plate from inside the Case.



7. If necessary, the Front Case Plug can be removed from the case. To remove, insert a Bar from inside the Case and tap the Plug out.
8. Inspect the plug O-Ring for cracks and pitting. Replace if damaged.



# Transmission Overhaul Procedures - Bench Service

---

## How to Install the Lower Countershaft Bearings

### Special Instructions

The Lower Reverse Idler Assembly should be installed before the Lower Countershaft.

The Front Bearing Inner Race must be pressed on the Countershaft front.

The Flanged-End Driver must cover the Bearing Outer Race for proper installation.

### Special Tools

- RR1012TR-2 Bearing Driver (front)
- RR1012TR-4 Bearing Driver (rear)
- RR1013TR Timing Block
- RR1019TR Hand Maul



### Procedure -

1. Move the Countershaft to the rear and insert the RR1013TR Timing Block to center Shaft in rear Case Bore.



2. Obtain a spare Inner Countershaft Race.



3. Temporarily install the spare Countershaft Inner Race inside the Front Roller Bearing for installation.

# Transmission Overhaul Procedures - Bench Service

4. Use the RR1012TR-2 Bearing Driver to start the Front Bearing in Case Bore.
5. Use a Screwdriver inserted in the Countershaft Cap Screw Bore to help center the Countershaft.
6. Move the Countershaft forward into the bearing.
7. Use the RR1012TR-2 Bearing Driver and Maul to completely seat the Front Bearing in the Case Bore.

**Note:** Make sure to contact only the Bearing and not the Temporary Race with the Driver. The Temporary Race should fall out when installation is complete.

8. On the Countershaft front, position the Retainer Plate with Roll Pin in hole at Shaft end.
9. Install the Front Bearing Retainer Plate and Cap Screw. If the Cap Screw is being reused, apply Eaton® Fuller® Thread Sealant #71205 or equivalent. Torque the Cap Screw to 90–120 lb-ft (122.02–162.70 N•m).

**Note:** Earlier models may have a Roll Pin in the Retainer. This Roll Pin is not required and was removed on units built after 1994.

10. From the rear, remove the Countershaft Support Tool.
11. Install the Rear Countershaft Bearing. Position the Bearing so that the larger chamfer on the Bearing inside diameter is installed towards the Shaft. Use the RR1012TR-4 Bearing Driver and a Hand Maul to completely seat the Bearing.

12. In the Countershaft Rear Groove, install the Rear Snap Ring.



# Transmission Overhaul Procedures - Bench Service

---

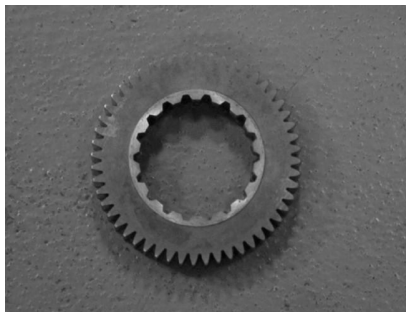
## How to Install the Input Shaft and Main Drive Gear

### Special Instructions

None

### Special Tools

- RR1005TR Input Bearing Driver
- RR1019TR Hand Maul
- RR1020TR Soft Bar



### Procedure -

1. Use a highly visible Toolmaker's Dye and mark the Main Drive Gear for timing purposes. To mark the Gear, paint Toolmaker's Dye on any two adjacent teeth, and then paint the two adjacent teeth directly opposite the first two teeth.
2. If necessary, install the bushing in the back of the Input Shaft.
3. Temporarily position the Upper Countershaft up and away from the Transmission center.
4. From inside the case, mesh the Lower Countershaft Drive Gear marked tooth with either set of Main Drive Gear marked teeth.
5. From the front, engage the Input Shaft Spline Teeth into the Main Drive Gear.  
**Note:** The current design Input Shaft Spline Teeth have noticeable clearance to the Main Drive Gear internal Spline Teeth. This is normal.
6. Install the Snap Ring in the Main Drive Gear inside groove.

# Transmission Overhaul Procedures - Bench Service

7. Install the Spacer Washer over the Input Shaft. With the Bearing External Snap Ring to the outside, position the bearing on the Input Shaft.



8. Install the Input Shaft Bearing over the Input Shaft. Use the RR1005TR Input Bearing Driver and a Hand Maul to drive the Bearing until it contacts the front wall of the Main Case.
9. Temporarily install the Front Bearing Cover with two Cap Screws.
10. From inside the Main Case, drive the Input Shaft forward until it is fully seated.



11. Install the Input Shaft Retaining Snap Ring.

**Note:** Do not replace the small rubber Lip Seal. It is used only to prevent leakage during shipping.

12. Do not reinstall the Input Bearing Cover at this time. Instead, pull the Input Shaft and Bearing forward to allow for Mainshaft installation.



# Transmission Overhaul Procedures - Bench Service

---

## How to Install the Mainshaft Assembly

### Special Instructions

The Lower Countershaft Bearings and the Input Shaft must be installed, but for higher torque ratings do not install the Front Bearing Cover.

Check to make sure the Lower Countershaft Drive Gear marked tooth is in time with Main Drive Gear set of marked teeth.

### Special Tools

- RR1004TR Mainshaft Lifting Hook



### Procedure -

1. Block the Upper Countershaft forward and as close to the case wall as possible.
2. With Reverse Gear forward against the next speed Gear and Mainshaft pilot end over the Integral Oil Pump gear, lower the Mainshaft Assembly while pulling the shaft rear through the Case Bore.



3. Pull the Input Shaft forward until the Drive Gear is against the case.
4. After the Mainshaft drops into the case, slide the Countershaft back and the Mainshaft should fall down between the Countershafts.



5. Move the Mainshaft pilot-end into the Input Shaft Pilot bushing. Mesh the Mainshaft Gears with the corresponding Countershaft Assembly gears.
6. Position the upper Reverse Idler Gear in case.

**Note:** At this time other components of the Front Section must be installed before the Mainshaft installation can be completed, see the procedure "How to Install the Upper Countershaft Bearings".

# Transmission Overhaul Procedures - Bench Service

---

7. Mesh the Reverse Gear teeth with the Reverse Idler Gear teeth and move the Reverse Gear to the rear as far as possible.
8. Align the Reverse Gear Spacer external Splines with the Reverse Gear and move the Spacer into the Reverse Gear.
9. Install the Reverse Gear I.D. Snap Ring and move the Reverse Gear forward on the Mainshaft and against the Reverse Gear Limit Washer.
10. Push the Input Shaft Bearing back into the Case Bore.
11. Position a new gasket on the Bearing Cover mounting surface, make sure to align the gasket oil return hole with Case oil return hole.
12. Position the Front Bearing Cover, make sure to align the Cover oil return hole with Case oil return hole.
13. Secure the Front Bearing Cover with six (6) Cap Screws, torque to 35–45 lb-ft (47.45–61.01 N•m).

**Note:** Make sure the Drive Gear is timed with the both Countershafts.

**Note:** Make sure the Front Bearing Cover Cap Screws are tightened properly.



# Transmission Overhaul Procedures - Bench Service

---

## How to Install the Upper Countershaft Bearings

### Special Instructions

The Front Bearing Inner Race must be pressed on the Countershaft front.

The Flanged-End Driver must cover the Bearing Outer Race for proper installation.

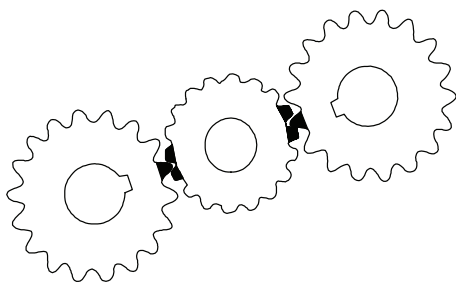
Temporarily use the assembled Auxiliary Drive Gear to hold the Mainshaft in the Input Shaft Pilot.

**CAUTION:** The Upper Countershaft Bearings must be installed after the installation of the Mainshaft.

### Special Tools

- RR1012TR-2 Bearing Driver (front)
- RR1012TR-4 Bearing Driver (rear)
- RR1013TR Timing Block
- RR1019TR Hand Maul

Figure 3



### Procedure -

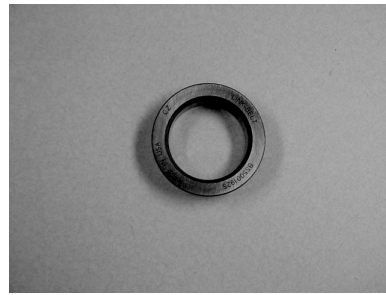
1. Make sure the Lower Countershaft and Main Drive Gear timing marks are aligned.
2. Mesh the Upper Countershaft marked tooth with the two remaining Main Drive Gear marked teeth.
3. Move the Countershaft to the rear and insert the RR1013TR Timing Block to center Shaft in rear Case Bore.



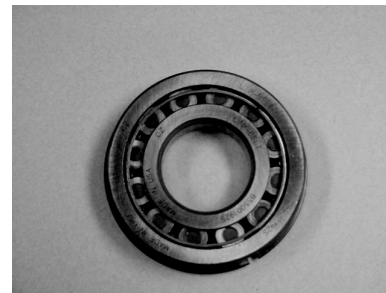


# Transmission Overhaul Procedures - Bench Service

4. Obtain a spare Inner Countershaft Race.



5. Temporarily install a spare Countershaft Inner Race inside the Front Roller Bearing for installation.



6. Use the RR1012TR-2 Bearing Driver to start the Front Bearing in Case Bore.
7. Use a Screwdriver inserted in the Countershaft Cap Screw Bore to help center the Countershaft.
8. Move the Countershaft forward into the Bearing.
9. Use the RR1012TR-2 Bearing Driver and Maul to completely seat the Front Bearing in the Case Bore.



**Note:** Make sure to contact only the bearing and not the Temporary Race with the driver. The Temporary Race should fall out when installation is complete.

10. On the Countershaft front, position the Retainer Plate with Roll Pin in hole at shaft end.



11. Install the Front Bearing Retainer Plate and Cap Screw. If the Cap Screw is being reused, apply Eaton® Fuller® Thread Sealant #71205 or equivalent. Torque the Cap Screw to 90–120 lb-ft (122.02–162.70 N•m).

**Note:** Earlier models may have a Roll Pin in the Retainer. This Roll Pin is not required and was removed on units built after 1994.

## Transmission Overhaul Procedures - Bench Service

---



12. From the rear, remove the Countershaft Support Tool.
13. Install the Rear Countershaft Bearing. Position the Bearing so that the larger chamfer on the Bearing inside diameter is installed towards the Shaft. Use the RR1012TR-4 Bearing Driver and a Hand Maul to completely seat the Bearing.



14. In the Countershaft Rear Groove, install the Rear Snap Ring.

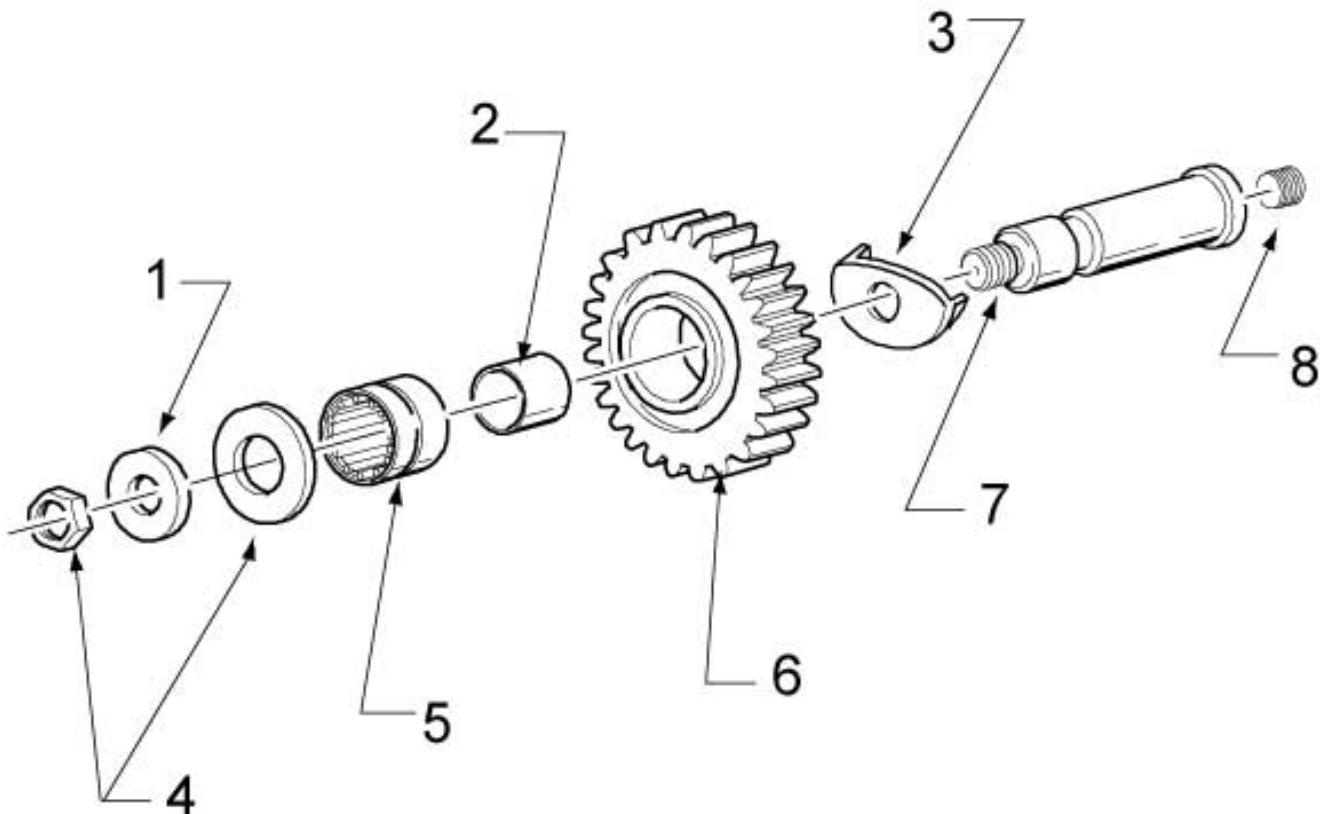
## How to Assemble the Upper Reverse Idler Gear Assembly

### Special Instructions

In 1996 Eaton® changed the Reverse Idler System design. In the Nut design, the Reverse Idler Bearing was lubricated through a hole in the Main Case Reverse Idler Support Boss and a oil passage through the Idler Shaft middle.

### Special Tools

#### *Previous Design*

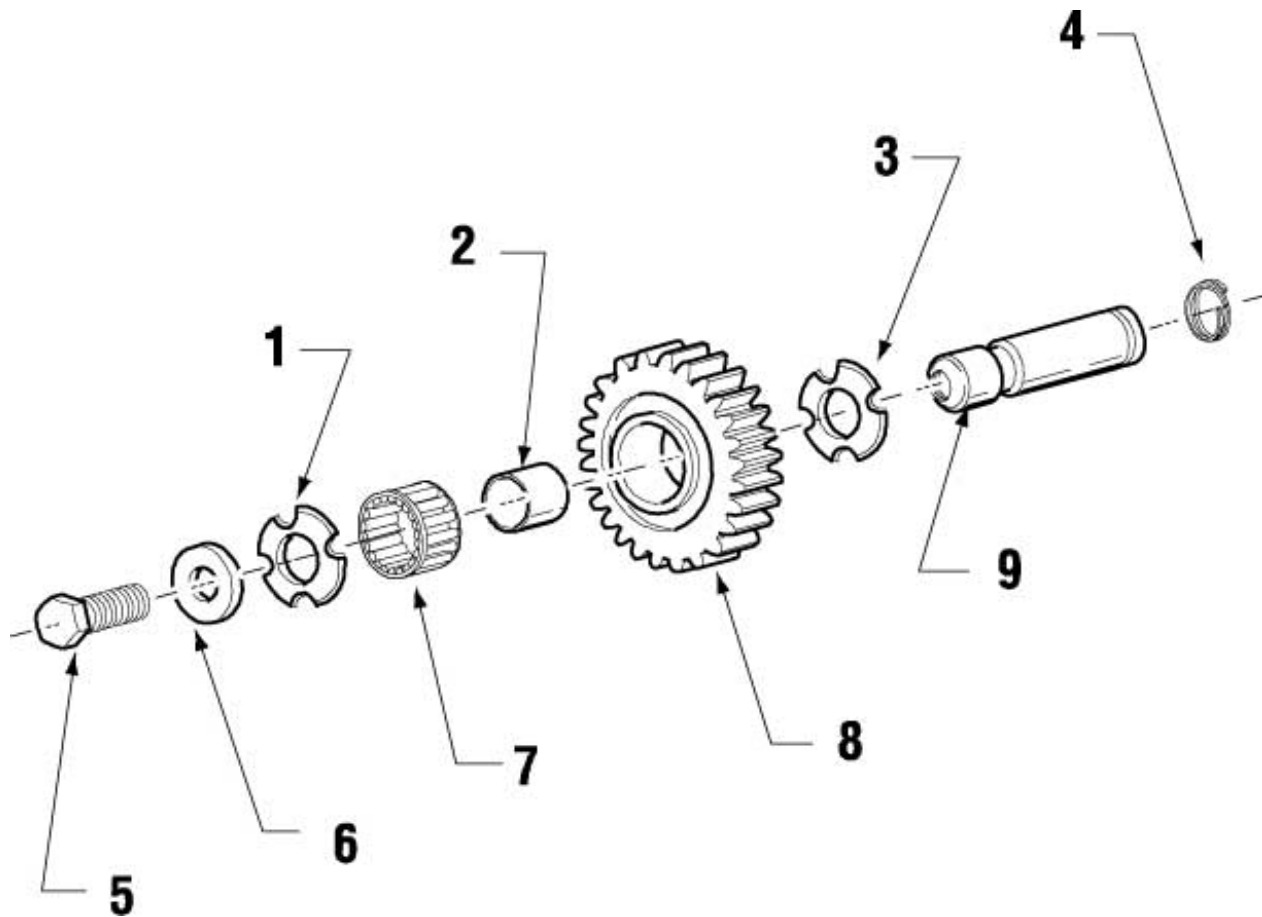


- |                   |                        |
|-------------------|------------------------|
| 1. Idler Plate    | 5. Bearing             |
| 2. Inner Race     | 6. Reverse Idler Gear  |
| 3. Washer         | 7. Reverse Idler Shaft |
| 4. Nut and Washer | 8. Plug                |

# Transmission Overhaul Procedures - Bench Service

The Cap Screw design eliminates the Case hole and Idler Shaft hole. The Reverse Idler Bearing is supplied oil through the use of star design Thrust Washers. If the Nut design parts are used with the Cap Screw design Main Case which does not have the oil feed hole, the Reverse Idler Bearing will fail.

## ***Current Design***



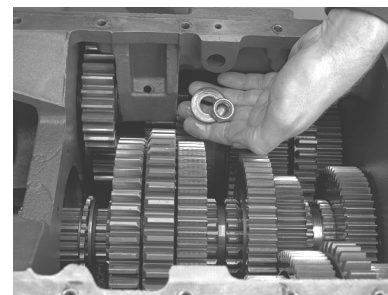
- |                   |                        |
|-------------------|------------------------|
| 1. Star Washer    | 6. Idler Plate         |
| 2. Inner Race     | 7. Bearing             |
| 3. Star Washer    | 8. Reverse Idler Gear  |
| 4. Retaining Ring | 9. Reverse Idler Shaft |
| 5. Cap Screw      |                        |

# Transmission Overhaul Procedures - Bench Service

## Procedure -

1. Place the rear Thrust Washer on the Idler Shaft.
2. From the rear, insert the Idler Shaft through the Main Case Bearing Bore and into the Reverse Idler Gear Bearing.
3. As the Idler Shaft slides into the Gear, insert the Front Thrust Washer into position. Continue sliding the Idler Shaft into the Case Support Boss.
4. From the rear, gently tap the Idler Shaft forward until resistance is felt.
5. Install the Flat Washer over the Shaft's threaded portion.
6. Inspect the Reverse Idler Nut nylon locking material. Replace the Cap Screw, if necessary. Install the Cap Screw and torque to 67–75 lb-ft (90.84–101.69 N•m).
7. Using a Bearing Race Driver, install the Auxiliary Countershaft Bearing Race into the Lower Reverse Idler Bore.

**Note:** The Bearing Races have a slip fit in their Bores. They should slide or rotate easily into the Case Bore if they are not cocked.



# Transmission Overhaul Procedures - Bench Service

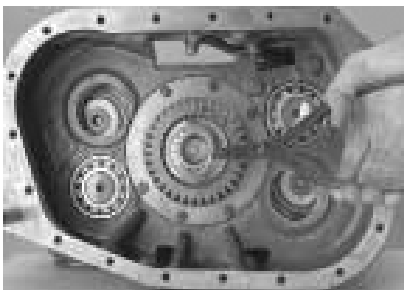
---

## How to Install the Auxiliary Drive Gear Assembly

### Special Instructions

Before installing the Auxiliary Drive Gear, the Mainshaft must be completely installed.

### Special Tools



### Procedure -

1. If removed, press the Spacer into the Bearing.
2. Slide the Auxiliary Bearing on the Mainshaft up to the Case Bore.
3. Use a Brass Maul and carefully seat the bearing in Case Bore.
4. Install the Splined Washer on the Mainshaft.
5. Align the Retainer Ring Cap Screw holes with the tapped holes.
6. Apply Eaton® Fuller® Sealant #71205 or equivalent to the Retaining Cap Screw threads.
7. Install the Retaining Cap Screws, torque to 35–45 lb-ft (47.45–61.01 N•m).
8. Install the Auxiliary Drive Gear and Retaining Washer on the Mainshaft.
9. Install the Auxiliary Drive Gear Retaining Snap Ring in the Mainshaft Snap Ring groove.

# Transmission Overhaul Procedures - Bench Service

## How to Install the Clutch Housing (with Internal Oil Tube)

### Special Instructions

Installation of the Clutch Housing is performed in the horizontal position.

**IMPORTANT:** Some early production models do not have an Oil Tube behind the Clutch Housing. For these models skip steps 3, 4, and 5.

The Oil Tube comes in two different lengths. The older units extend 2/3 of the way through the Front Box. The new units go into the intermediate wall that separates the Main Case from the Auxiliary Case (see step 5).

### Special Tools

- Typical Service Tools, Torque wrench

### Procedure -

1. Position a new gasket on the Housing mounting surface.

**Note:** If the Front Bearing Cover was removed, it needs to be installed before the Clutch Housing to ensure correct alignment of the Clutch Housing.

2. If Oil Tube is not being replaced follow steps 6–8.

**Note:** For additional information on the removal of the Shift Bar Housing and Slave Valve refer to the proper section.

3. Inspect O-Rings on Oil Tube and replace if damaged.

4. Apply Eaton® Fuller® silicone Lubricant #71203 to O-Rings and install Oil Tube in Case.



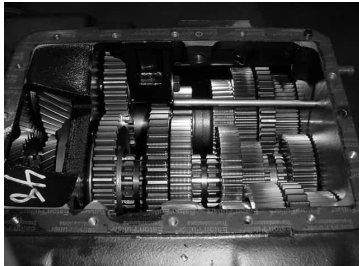
# Transmission Overhaul Procedures - Bench Service

---

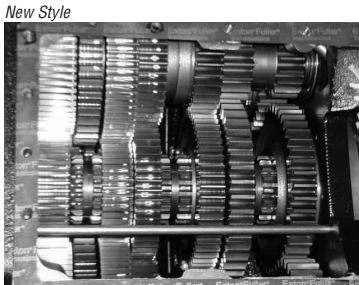


5. Press Oil Tube firmly into place.

**Note:** The Oil Tube has two different lengths. Older units extend 2/3 of the way into the Main Case and newer units go into the intermediate wall (Figures in the next column).



*Old Style*



*New Style*



6. Install the Clutch Housing on the Front Box, pilot it on the six studs and Front Bearing Cover.
7. Install the nuts with washers on the studs, torque to 35 lb-ft (47 N•m) + 90° CW rotation (or 175 lb-ft (237 N•m)) in cross pattern.
8. Install the Cap Screws, torque to 115 lb-ft (156 N•m) in cross pattern.

**Note:** Make sure all fasteners are properly torqued.

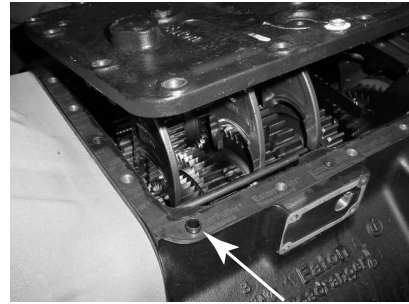


# Transmission Overhaul Procedures - Bench Service

---

9. Install the Shift Bar Housing and Gasket.

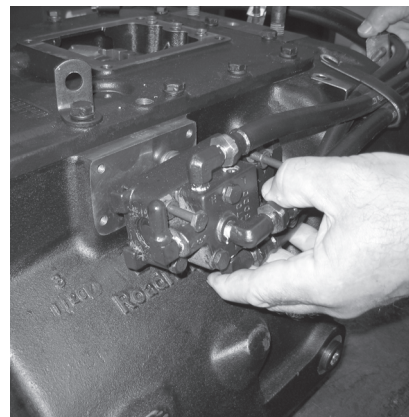
**Note:** Ensure Roll Pin and proper Cap Screw are installed in the front left corner. Cap Screw length is 1 3/4".



10. Install Interlock parts (Pin, Spring and Sleeve).



11. Install Slave Valve.



# Transmission Overhaul Procedures - Bench Service

---

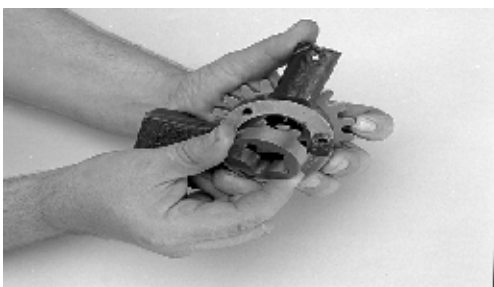
## How to Disassemble the Integral Oil Pump without Auxiliary Oil Tube

### Special Instructions

None

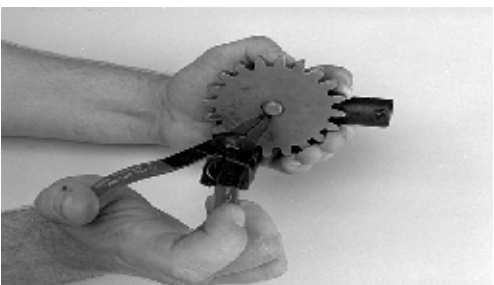
### Special Tools

- Typical Service Tools
- A Vise with brass jaws or wood blocks



### Procedure -

1. From the Assembly, remove the Outer Oil Pump Element.



2. From the Drive Shaft, remove the Drive Gear Retaining Snap Ring.
3. From the Pump Drive Shaft, remove the Drive Gear.



4. From the Drive Shaft Keyway, remove the Key.

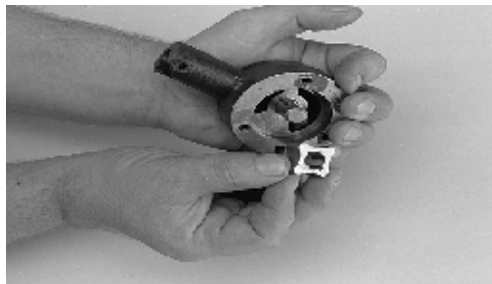
# Transmission Overhaul Procedures - Bench Service

---

5. From the Drive Shaft, remove the Element Snap Ring.



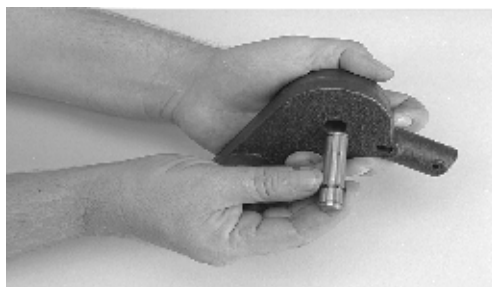
6. From the Drive Shaft, remove the Internal Oil Pump Element.



7. From the Drive Shaft Keyways, remove the two (2) Keys.



8. From the Integral Oil Pump Housing, remove the Drive Shaft.
9. If damaged, from the Drive Shaft, remove the rear Drive Gear Retention Snap Ring.

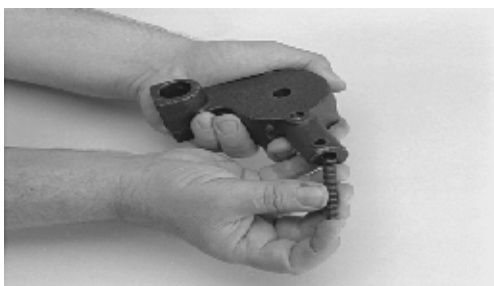


## Transmission Overhaul Procedures - Bench Service

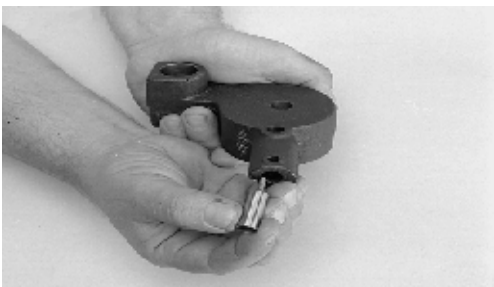
---



10. From the Pump Housing, remove the Relief Valve Roll Pin.



11. From the Relief Valve Housing Bore, remove the Relief Valve Spring.



12. From the Housing Bore, remove the Relief Valve.

13. Inspect all parts for damage, replace damaged parts.

# Transmission Overhaul Procedures - Bench Service

---

## How to Assemble the Integral Oil Pump without Auxiliary Oil Tube

### Special Instructions

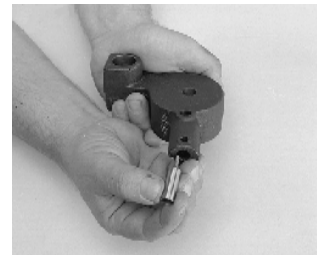
When installing the Drive Shaft Keys, the round Key goes in the round Keyway and the square Key in the square Keyway.

### Special Tools

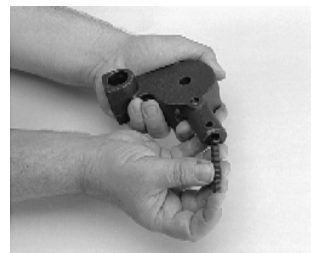
- A Vise with brass jaws or wood blocks

### Procedure -

1. Install the Relief Valve in the Integral Oil Pump Housing.



2. Install the Relief Valve Spring in Oil Pump Housing.

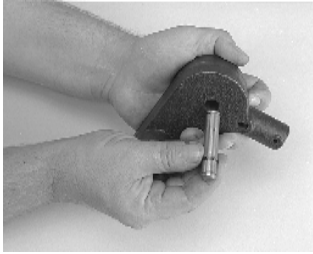


3. Secure the Oil Pump Housing in a Vice.
4. Depress the Relief Valve Spring and drive the Relief Valve Retention Roll Pin into the Roll Pin Bore.



# Transmission Overhaul Procedures - Bench Service

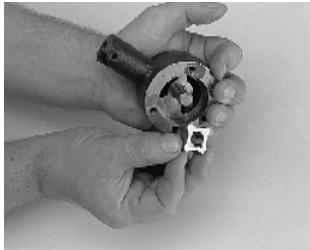
---



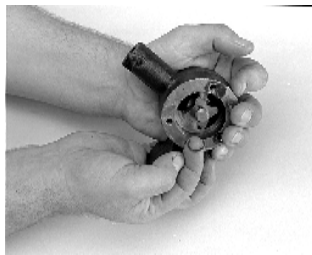
5. If removed, replace the Drive Shaft Snap Ring on the Pump Drive Shaft.
6. Insert the Drive Shaft through the Pump Housing Bore.



7. Install the two (2) Keys on the Drive Shaft.



8. Align the Inner Element Keyways with the Drive Shaft Keys and install the Integral Oil Pump Inner Element.



9. Install the Inner Element Retention Snap Ring in Drive Shaft Snap Ring groove.

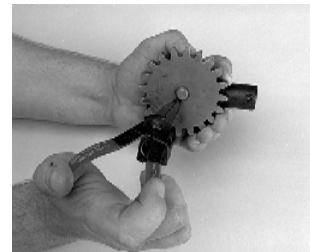
# Transmission Overhaul Procedures - Bench Service

---

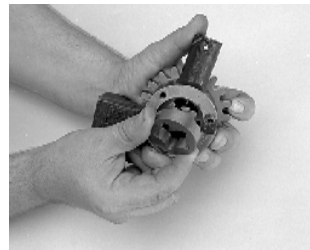
10. Install Drive Gear Key in Drive Shaft Keyway.



11. Align Drive Gear Keyway with Drive Shaft Key and install the Drive Gear on the Drive Shaft.



12. Install the Outer Drive Gear Retention Snap Ring in Drive Shaft groove.



13. Install the Outer Integral Oil Pump Element over the Inner Element.

# Transmission Overhaul Procedures - Bench Service

---

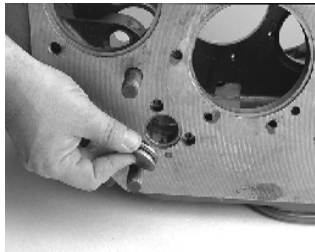
## How to Install the Integral Oil Pump

### Special Instructions

Lubricate the Case Front Plug O-Ring with Eaton® Fuller® Lubricant #71206 or equivalent.

### Special Tools

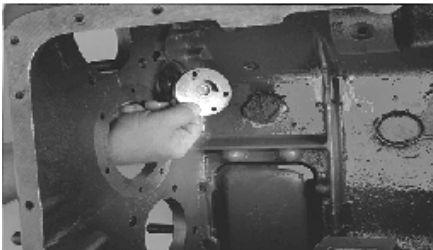
- Typical Service Tools



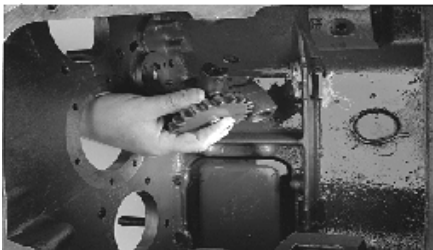
### Procedure -

1. If removed, replace the Front Case Pump Plug O-Ring. lubricate the groove of the plug, install the O-Ring onto the plug, and then lubricate the outer diameter of the O-Ring.
2. Seat the Front Case Pump Plug in the Case Bore by hand. Do not install the Pump Plug using any type of Impact Tool (i.e. Hammer, Maul, etc.).

**Note:** P/N 4303107 Retainer Plate, which has a smaller outside diameter, must be used with Main Cases machined after April 1995. If an older Oil Pump Assembly is installed into a new case, P/N 20510 Retainer Plate will not seat properly in the Spot Face machined in the case wall



3. With the Retainer Bore facing the case rear, install the Integral Oil Pump over the Alignment Pin inside the case.

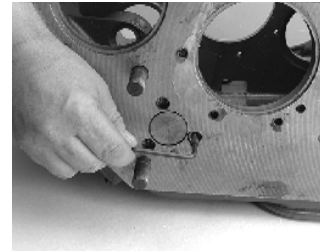


4. Align Oil Pump with Retainer and Alignment Pin and install the Integral Oil Pump Assembly.

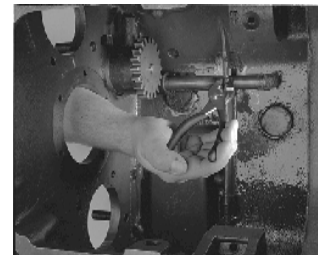


# Transmission Overhaul Procedures - Bench Service

5. Install three (3) Allen Head Cap Screws and washers through the Case Front and into the Pump Housing. Torque the Cap Screws to 8–12 lb-ft (10.85–16.30 N•m).
6. Replace the O-Ring on the Suction Tube.

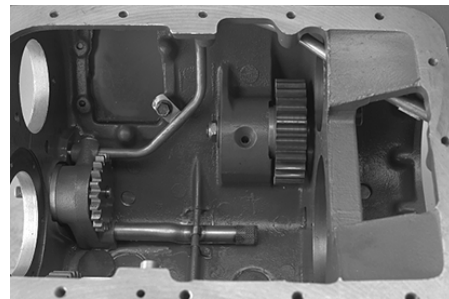


7. Install the Tube under the Case Rib and into the Integral Oil Pump.
8. Bend the Suction Tube Lock over the Case Rib.



9. Position the Oil Tube in the case bottom through the intermediate wall.
10. Apply Loctite 242 to Cap Screw threads. Torque Cap Screws to 35–45 lb-ft (47.45–61.01 N•m).

**Note:** Make sure the Integral Oil Pump Drive Gear can turn.



# Transmission Overhaul Procedures - Bench Service

---

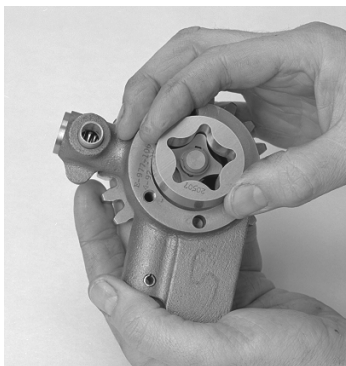
## How to Disassemble the Integral Oil Pump with Auxiliary Oil Tube

### Special Instructions

None

### Special Tools

- A Vise with brass jaws or wood blocks



### Procedure -

1. From the assembly, remove the Outer Oil Pump Element.



2. From the Drive Shaft, remove the Drive Gear Retaining Snap Ring.
3. From the Pump Drive Shaft, remove the Drive Gear.

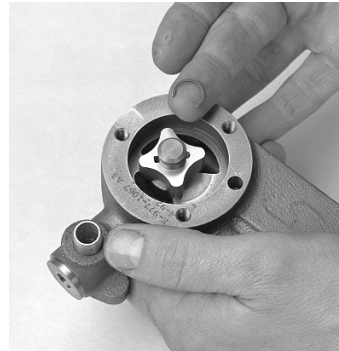


4. From the Drive Shaft Keyway, remove the Key.

# Transmission Overhaul Procedures - Bench Service

---

5. From the Drive Shaft, remove the Element Snap Ring.



6. From the Drive Shaft, remove the Internal Oil Pump Element.



7. From the Drive Shaft Keyways, remove the two (2) Keys.

8. Remove the Transfer Tube.



9. From the Integral Oil Pump Housing, remove the Drive Shaft.

10. If damaged, from the Drive Shaft, remove the Rear Drive Gear Retention Snap Ring.

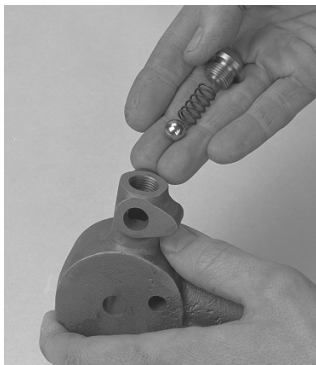


# Transmission Overhaul Procedures - Bench Service

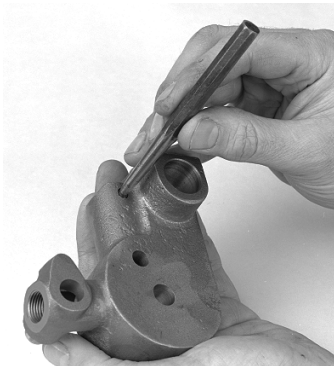
---



11. Loosen the Retaining Nut.



12. Remove the Retaining Nut, Spring and Ball.



13. From the Pump Housing, remove the Relief Valve Roll Pin.



14. From the Relief Valve Housing Bore, remove the Relief Spring and Relief Valve.

# Transmission Overhaul Procedures - Bench Service

---

15. Remove the Valve Cover.
16. Inspect all parts for damage, replace damaged parts.



# Transmission Overhaul Procedures - Bench Service

---

## How to Assemble the Integral Oil Pump with Auxiliary Oil Tube

### Special Instructions

When installing the Drive Shaft Keys, the round Key goes in the round Keyway and the square Key in the square Keyway.

### Special Tools

- A Vise with brass jaws or wood blocks



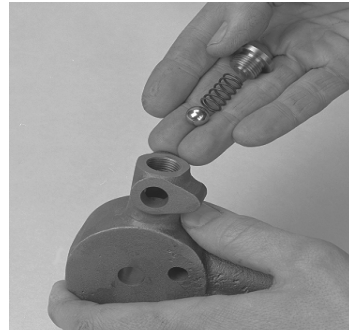
### Procedure -

1. Install the Valve Cover.
2. Install the Relief Valve and Relief Valve Spring in the Integral Oil Pump Housing.
3. Secure the Oil Pump Housing in a Vice.
4. Depress the Relief Valve Spring and drive the Relief Valve Retention Roll Pin into the Roll Pin Bore.

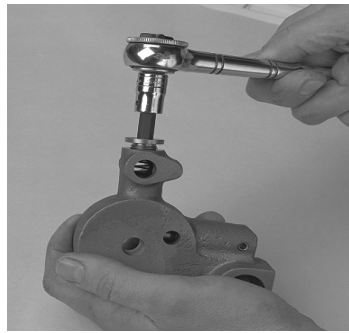
# Transmission Overhaul Procedures - Bench Service

---

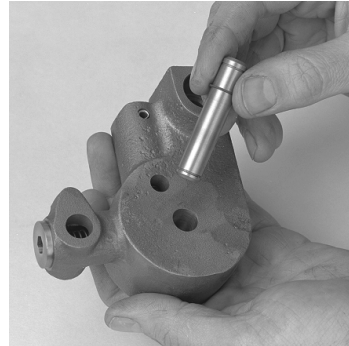
5. Install the Ball, Spring and Retaining Nut.



6. Torque the Retaining Nut to 40–45 lb-ft (54.23–61.01 N•m).
7. If removed, replace the Drive Shaft Snap Ring on the Pump Drive Shaft.



8. Insert the Drive Shaft through the Pump Housing Bore.



9. Install the two (2) Keys on the Drive Shaft.



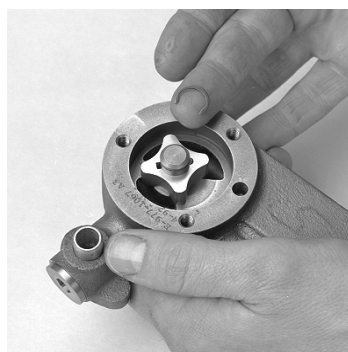
# Transmission Overhaul Procedures - Bench Service

---



10. Install the Transfer Tube.

11. Align the Inner Element Keyways with the Drive Shaft Keys and install the Integral Oil Pump Inner Element.



12. Install the Inner Element Retention Snap Ring in Drive Shaft Snap Ring groove.



13. Install Drive Gear Key in Drive Shaft Keyway.



14. Align Drive Gear Keyway with Drive Shaft Key and install the Drive Gear on the Drive Shaft.

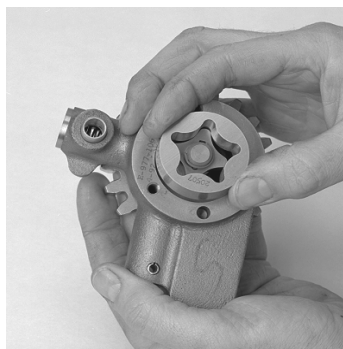
15. Install the Outer Drive Gear Retention Snap Ring in Drive Shaft groove.



# Transmission Overhaul Procedures - Bench Service

---

16. Install the Outer Integral Oil Pump Element over the Inner Element.



# Transmission Overhaul Procedures - Bench Service

---

## How to Install the Auxiliary Section

### Special Instructions

There are different Cap Screw lengths, install in the correct location.

Auxiliary Sections can be installed either with the Transmission in the horizontal position or the vertical position.

To install in the vertical position, the Clutch Housing must be installed.

### Special Tools

- RR1006TR Auxiliary Section Lifting Bracket



### Procedure -

1. **To install the Auxiliary Section in the horizontal position:**  
Position a new gasket on the Transmission mounting surface.
2. Attach the RR1006TR Auxiliary Section Lifting Bracket to the Auxiliary Section top.
3. Attach a Lifting Chain to the Auxiliary Section Hanger Bracket.
4. Position the Auxiliary Section on the two (2) Dowel Pins.
5. Slide the Auxiliary Section on until the hanger bracket contacts the Transmission Main Case.
6. Remove the Auxiliary Section Hanger Bracket.
7. Slide the Auxiliary Section the rest of the way into position.
8. Apply Eaton® Fuller® Sealant #71205 or equivalent to the Retaining Cap Screws.
9. Install the Retaining Cap Screws, torque to 35–45 lb-ft (47.45–61.01 N•m).
10. To finish installation, see “The Shimming Procedure for Tapered Bearings”.



# Transmission Overhaul Procedures - Bench Service

## Procedure -

1. **To install the Auxiliary Section in the vertical position:**  
With blocks under the Clutch Housing to prevent Input Shaft damage, place the Transmission in the vertical position, Clutch Housing down.
2. Position a new gasket on the Transmission mounting surface.
3. Install a Steel Bar through the Yoke.
4. Attach a Lifting Chain to the Steel Bar.
5. Position the Auxiliary Section over the two (2) Dowel Pins.
6. Slide the Auxiliary Section down the Dowels.
7. Apply Eaton® Fuller® Sealant #71205 or equivalent to the Retaining Cap Screws.
8. Install the Retaining Cap Screws, torque to 35–45 lb-ft (47.45–61.01 N•m).
9. Remove the Steel Bar and chain.
10. To finish installation, see “The Shimming Procedure for Tapered Bearings”.

**Note:** Make sure the Input Shaft rotates.



# Transmission Overhaul Procedures - Bench Service

## Shim Procedure without a Shim Tool for Tapered Bearings

### Special Instructions

The shim procedure can be done in the horizontal or vertical position. The procedure is done the same.

**CAUTION**

**Use genuine Eaton® replacement gaskets for the Auxiliary Housing and Countershaft Bearing Cover. Do not omit the gaskets. Bearing endplay is influenced by the compressed thickness of the gasket (0.011–0.012" or 0.28–0.30 mm).**

The bearing endplay must be checked and adjusted any time a Countershaft, Bearing, or Housing is replaced. If, during reassembly, the same Countershaft, Bearings, Housing, and Shims are reused and kept in the same location, it is not necessary to reset Bearing endplay.

The following procedure is used to adjust the endplay for the Auxiliary Countershaft Tapered Bearings. By correctly following this procedure, each Countershaft will have 0.001–0.005" (0.03–0.12 mm) endplay.

Shims must be aligned properly or else the Rear Bearing Cover may be damaged when final torque is applied.

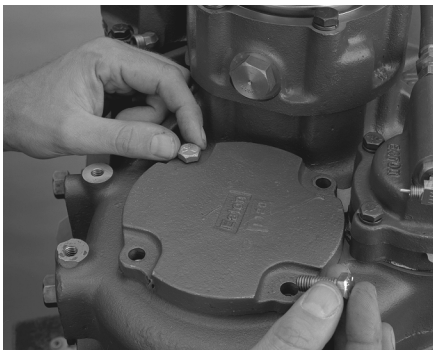
### Special Tools

- Typical Service Tools
- Shims and Feeler Gauge



### Procedure -

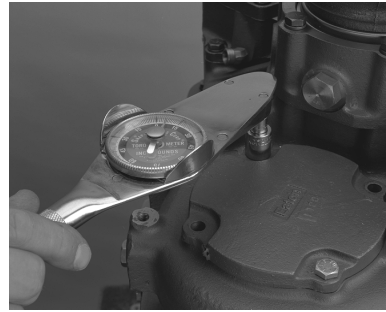
1. The Auxiliary Countershaft Bearing Covers or Countershaft straps and shims should be removed. Make sure all old gasket material is cleaned from the gasket mounting surfaces on the Countershaft Bearing Covers and the Auxiliary Housing.
2. Verify that the Auxiliary Section is in gear. When the Output Shaft is rotated, the Countershafts must also rotate. If not shift the Auxiliary into gear by applying shop air to the high range air port on Range Cylinder to shift into gear.
3. Make sure a 0.100 Countershaft Rear Bearing Shim is installed. Be sure the Countershaft Rear Bearing Races are seated in the bearing Bores.
4. Install two (2) clean 3/8" x 1" Cap Screws without washers directly across from each other in each Bearing Cover. Tapped holes in Auxiliary Case must be free of thread adhesive.



# Transmission Overhaul Procedures - Bench Service

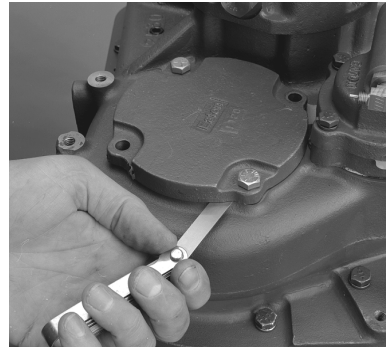
- Evenly torque the Cap Screws to 7 lb-in (0.79 N•m). Do not install the Countershaft Rear Bearing Cover gasket. The gap between the Bearing Cover and the Housing surface should be even from side to side.

**Note:** 7 lb-in (0.79 N•m) is slightly more than finger tight. Do not overtighten the Cap Screws. If the Cap Screws are too tight, the Bearing Cover will become distorted.



- Rotate the Output Shaft 4 times clockwise and 4 times counterclockwise. The rotation will seat and align the rollers in each tapered bearing. Re-torque the Cap Screws to 7 lb-in (0.79 N•m). If the Countershafts do not rotate, the Range Sliding Clutch or Deep Reduction Sliding Clutch is in Neutral. Apply shop compressed air to Shift Cylinders to shift the Sliding Clutches into gear.

- Use a Feeler Gauge, as close to each Cap Screw location as possible, and measure the gap between the Countershaft Rear Bearing Cover and the Auxiliary Housing Gasket surface. Measure and record the gap at both Cap Screw locations.



- Average the two Feeler Gauge measurements by adding the measurements together and dividing by 2 as shown in the following Example:

### Example Shim Selection

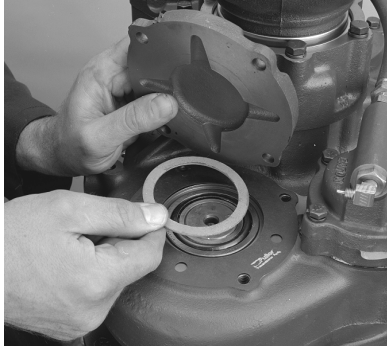
Gap 1 = 0.060; Gap 2 = 0.050
Total Gap = 0.060 + 0.050 = 0.110
Average = 110/2 = 0.055
Select yellow shim as indicated in the Shim Table at the end of this selection.

- Locate the Feeler Gauge average measurement in the Shim Table to determine the required Shim and Color Code.

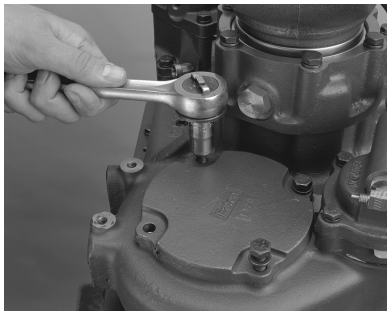
**Note:** The Oil Pump Shim is used when an Auxiliary Oil Pump or PTO is mounted on the Countershaft. The Oil Pump Shims have a smaller outside diameter.

# Transmission Overhaul Procedures - Bench Service

---



10. Remove the Countershaft Rear Bearing Cover and Gauging Shim.
11. Place the selected Shim on the Rear Countershaft Bearing Race.



12. Position a new gasket on Countershaft Rear Bearing Cover mounting surface.
13. Position the Countershaft Rear Bearing Cover over the new gasket.
14. Apply Eaton® Fuller® Thread Sealant #71205 or equivalent to the Auxiliary Countershaft Rear Bearing Cover Cap Screws and Auxiliary Countershaft Rear Bearing Cover.
15. Install the Auxiliary Countershaft Rear Bearing Cover and secure it with the Cap Screws. Make sure the Shim is in the proper location and is not pinched between the Cover and the Housing. Torque the Cap Screws to 40–45 lb-ft (54.23–61.01 N•m).

**Note:** Use a thick grease to hold the Shim in position when installing the Cover.

16. Repeat this procedure for the remaining Countershaft.

**Note:** Make sure the Input Shaft rotates.

# Transmission Overhaul Procedures - Bench Service

Shim Table

Feeler Gauge Average Gap	Shim Thickness	Standard Shim Part Number	Oil Pump Shim Part Number	Color Code
0.072–0.075	0.033–0.034	4302345	4302346	Gold
0.69–0.0715	0.036–0.037	21452	21472	Red
0.066–0.0685	0.039–0.040	21453	21473	Pink
0.063–0.0655	0.042–0.043	21454	21474	Brown
0.060–0.0625	0.045–0.046	21455	21475	Tan
0.057–0.0595	0.048–0.049	21456	21476	Orange
0.054–0.0565	0.051–0.052	21457	21477	Yellow
0.051–0.0535	0.054–0.055	21458	21478	Green
0.048–0.0505	0.057–0.058	21459	21479	Light Blue
0.045–0.0475	0.060–0.061	21460	21480	Lavender
0.042–0.0445	0.063–0.064	21461	21481	White
0.039–0.0415	0.066–0.067	21684	21686	Black
0.036–0.0385	0.069–0.070	21685	21687	Silver

# Transmission Overhaul Procedures - Bench Service

---

## How to Remove the Boosted or Hydraulic Actuator and Adapter Housing

### Special Instructions

The Air Line must be disconnected if removing an air over Hydraulic Boosted Actuator.

The hydraulic line does not need to be disconnected for the removal and installation of the Actuator and Actuator Housing.

**⚠ WARNING**

**The Air System must be bled prior to removing any Air Lines to prevent possible injury.**

**⚠ CAUTION**

**Do not press or disengage Clutch Pedal when removing Slave Cylinder or Clutch Servo.**

### Special Tools

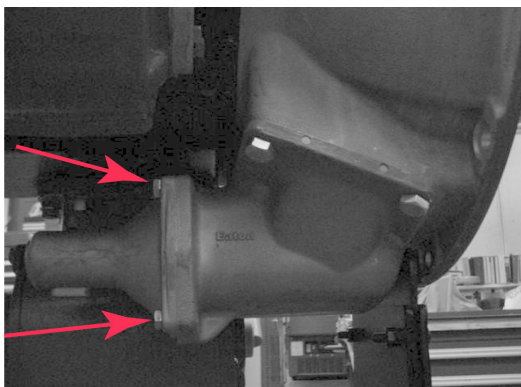
- Typical Service Tools



### Procedure -

1. If system is an air over hydraulic, the Air Line must be disconnected from the Boosted Actuator prior to removing the assembly.

**Note:** It is not necessary to remove the hydraulic line. Removing the hydraulic line will allow air to enter the system, requiring the system to be bled.



2. Remove the four Cap Screws from the Boosted or Hydraulic Actuator.

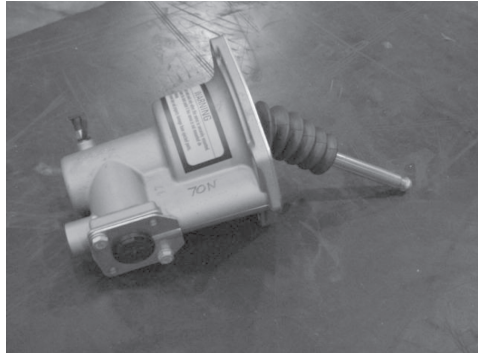
3. Apply force to remove the Actuator Rod from the Clutch Slave Fork.



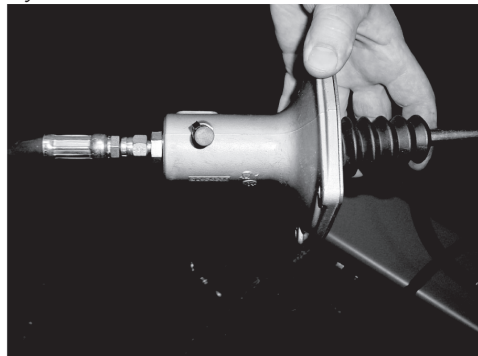
# Transmission Overhaul Procedures - Bench Service

4. Pull the Boosted or Hydraulic Actuator back and remove it from the Actuator Housing.

*Boosted (Air over Hydraulic Actuator)*



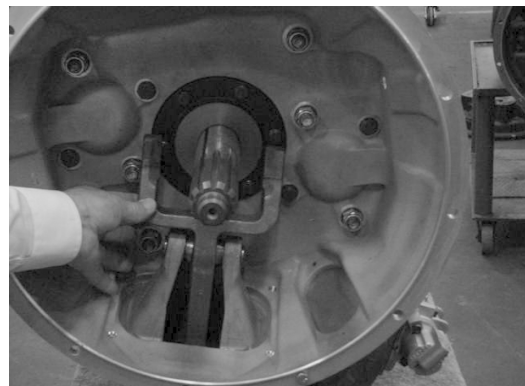
*Hydraulic Actuator*



5. Remove the four Cap Screws holding the Actuator Housing to the Clutch Housing.



6. Lower the Actuator Housing and remove it from the Clutch Housing.



# Transmission Overhaul Procedures - Bench Service

---

## How to Install the Boosted or Hydraulic Actuator and Adapter Housing

### Special Instructions

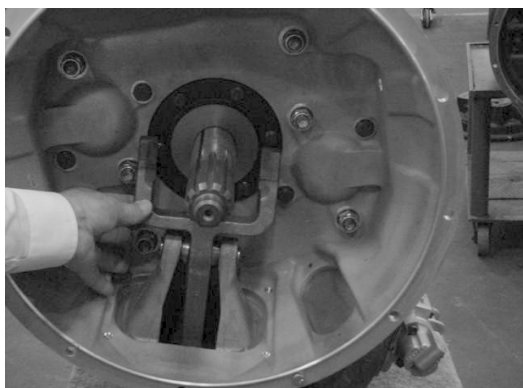
The Air Line should remain disconnected until the Boosted Actuator and Boosted Actuator Housing are assembled.

**CAUTION**

**Do not press or disengage Clutch Pedal when Slave Cylinder or Clutch Servo is removed.**

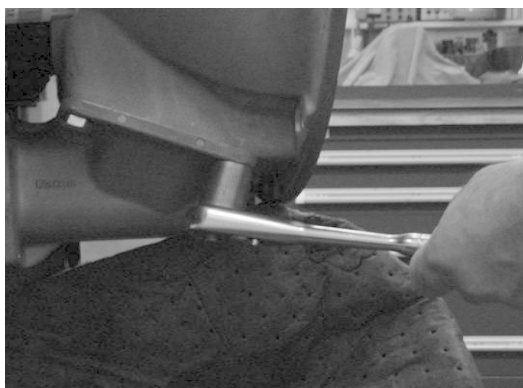
### Special Tools

- Typical Service Tools



### Procedure -

1. Lift Boosted or Hydraulic Actuator Housing up through the Clutch Housing opening.

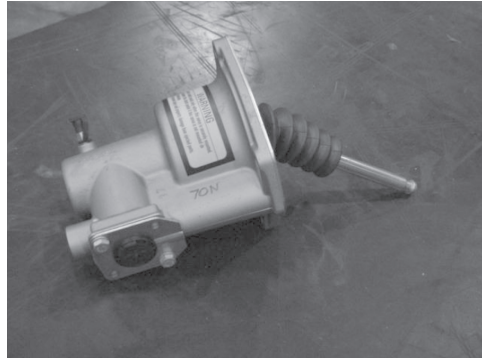


2. Torque the four Cap Screws for the Actuator Housing to 72–80 lb-ft (97.62–108.47 N•m).

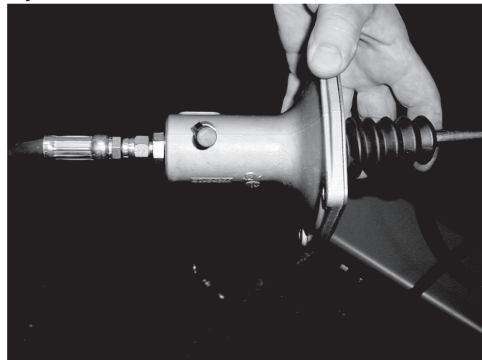
# Transmission Overhaul Procedures - Bench Service

- Slide Boosted or Hydraulic Actuator into the back of the Actuator Housing and snap the Push Rod into the Clutch Release Fork.

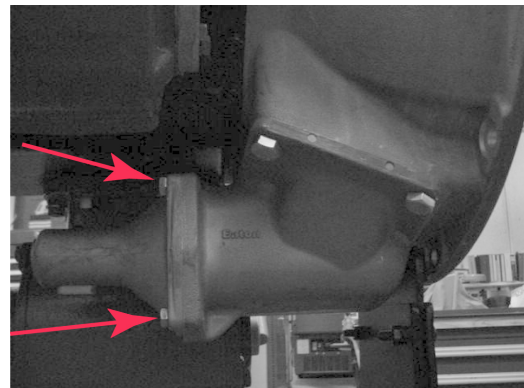
*Boosted (Air over Hydraulic Actuator)*



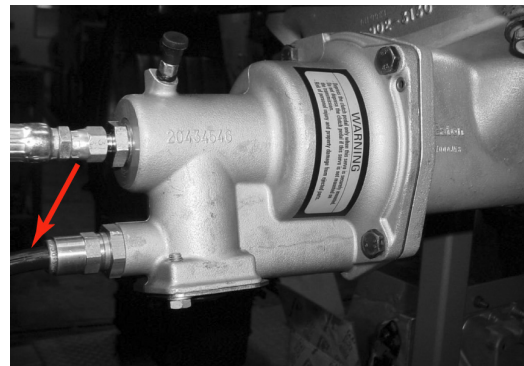
*Hydraulic Actuator*



- Install the four Cap Screws holding the Boosted or Hydraulic Actuator to the Actuator Housing and torque to 14 lb-ft (18.98 N•m).



- Install the Air Line if it is a Boosted Actuator.



Copyright Eaton, 2013

Eaton hereby grant their customers, vendors, or distributors permission to freely copy, reproduce and/or distribute this document in printed format. It may be copied only in its entirety without any changes or modifications. THIS INFORMATION IS NOT INTENDED FOR SALE OR RESALE, AND THIS NOTICE MUST REMAIN ON ALL COPIES.

**Note:** Features and specifications listed in this document are subject to change without notice and represent the maximum capabilities of the software and products with all options installed. Although every attempt has been made to ensure the accuracy of information contained within, Eaton makes no representation about the completeness, correctness or accuracy and assumes no responsibility for any errors or omissions. Features and functionality may vary depending on selected options.

**For spec'ing or service assistance, call 1-800-826-HELP (4357) or visit [www.eaton.com/roadranger](http://www.eaton.com/roadranger). In Mexico, call 001-800-826-4357.**

Roadranger: Eaton and trusted partners providing the best products and services in the industry, ensuring more time on the road.

**Eaton**

Vehicle Group  
P.O. Box 4013  
Kalamazoo, MI 49003 USA  
800-826-HELP (4357)  
[www.eaton.com/roadranger](http://www.eaton.com/roadranger)

Printed in USA

For parts or service call us  
Pro Gear & Transmission, Inc.



**1 (877) 776-4600**

**(407) 872-1901**

**parts@eprogear.com**

**906 W. Gore St.**

**Orlando, FL 32805**

